

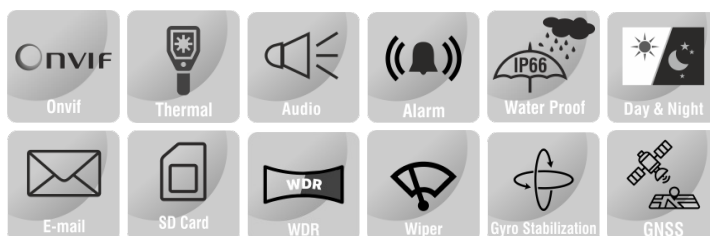
# IP DUAL SENSOR THERMAL PTZ CAMERA



## ENC-HHP7Z-60X-06

### FEATURES

640x512 Uncooled Infrared Detector
Sensitivity $\leq 40\text{mK}$
50/75/100 mm Thermal Fixed Lens and 25 ~ 75 mm Thermal Motorized Lens
Electronic Image Stabilization
Gyro Stabilization
Built-in GNSS Module (Optional)
IP66



### SPECIFICATION

MODEL	Model No.	ENC-HHP7Z-60X-06
	Type	IP DUAL SENSOR THERMAL PTZ CAMERA
THERMAL CAMERA	Detector Type	Uncooled VOx Focal Plane Arrays
	Effective Pixels	640x512 and Image can be scaled up to 1280x1024
	Pixel Size	12 $\mu\text{m}$
	Thermal Sensitivity (NETD)	$\leq 40\text{ mK}$
	Spectral Range	8 ~ 14 $\mu\text{m}$
	Spatial Resolution	0.24 mrad / 0.160 mrad / 0.120 mrad / 0.480 ~ 0.160 mrad
	Image Settings	Brightness, Sharpness, Contrast, 2D/3D DNR, Mirror / Flip, FFC
	Color Palettes	White & Black Hot, Ironbow, Rainbow etc up to 20 modes
	Lens	Fixed / Motorized
	Focus Control	Auto / Manual
THERMAL LENS	Focal Length	50/75/100 mm (Fixed), 25 ~ 75mm (Motorized)
	F No	F1.0 / F1.2 / F0.95 ~ F1.2
	Digital Zoom	8x
	Angle of View (H)	8.7° / 5.9° / 4.4° / 17.7° ~ 5.8°
	Angle of View (V)	7.0° / 4.7° / 3.5° / 14.1° ~ 4.7°
	Angle of View (D)	11.1° / 7.5° / 5.6° / 22.6° ~ 7.4°
	Detection	50 mm: Human (1.8m×0.5m) - 2100 m, Vehicle (4.0m×1.5m) - 6400 m 75 mm: Human (1.8m×0.5m) - 3100 m, Vehicle (4.0m×1.5m) - 9600 m 100 mm: Human (1.8m×0.5m) - 4200 m, Vehicle (4.0m×1.5m) - 12800 m 25 ~ 75 mm: Human (1.8m×0.5m) - 1300 ~ 3100 m, Vehicle (4.0m×1.5m) - 3200 ~ 9600 m
	Recognition	50 mm: Human (1.8m×0.5m) - 500 m, Vehicle (4.0m×1.5m) - 1600 m 75 mm: Human (1.8m×0.5m) - 800 m, Vehicle (4.0m×1.5m) - 2400 m 100 mm: Human (1.8m×0.5m) - 1000 m, Vehicle (4.0m×1.5m) - 3200 m 25 ~ 75 mm: Human (1.8m×0.5m) - 200 ~ 800 m, Vehicle (4.0m×1.5m) - 800 ~ 2400 m
	Identification	50 mm: Human (1.8m×0.5 m) - 300 m, Vehicle (4.0m×1.5m) - 800 m 75 mm: Human (1.8m×0.5 m) - 400 m, Vehicle (4.0m×1.5m) - 1200 m 100 mm: Human (1.8m×0.5m) - 500 m, Vehicle (4.0m×1.5m) - 1600 m 25 ~ 75 mm: Human (1.8m×0.5m) - 100 ~ 400 m, Vehicle (4.0m×1.5m) - 400 ~ 1200 m
	Fire Detection	50 mm: Fire size (2.0m×2.0m) - 5400 m, Fire (1.0m×1.0m) - 2700 m 75 mm: Fire Size (2.0m×2.0m) - 8000 m, Fire Size (1.0m×1.0m) - 4000 m 100 mm: Fire Size (2.0m×2.0m)- 10000 m, Fire Size (1.0m×1.0m) - 5000 m

★Product specification and availability are subject to change without notice.

# IP DUAL SENSOR THERMAL PTZ CAMERA



## ENC-HHP7Z-60X-06

MODEL	Model No.	ENC-HHP7Z-60X-06
	Type	IP DUAL SENSOR THERMAL PTZ CAMERA
VISIBLE CAMERA	Image Sensor	1/1.8" CMOS Progressive 4.0 MegaPixel
	Day / Night	Auto / Manual
	Max Resolution	2688x1520
	Focal Length	6 ~ 360 mm
	Focus Control	Auto / Manual
	Angle of View (H)	66.0° ~ 1.2°
	Angle of View (V)	40.3° ~ 0.7°
	Angle of View (D)	77.3° ~ 1.3°
	Optical Zoom	60x
	Digital Zoom	16x
	Aperture	F1.4
	Electronic Shutter	1/3 ~ 1/30000s, Auto / Manual
	Min.Illumination	0.005Lux @ F1.5, B/W: 0 Lux with IR on
	S/N Ratio	≥55 dB
Defog	Optical Defog	
WDR	Supported	
Detection	6 ~ 360 mm: Human (1.8m×0.5m) - 62 ~ 3724 m, Vehicle (4.0m×1.5m) - 190 ~ 11421 m	
Observation	6 ~ 360 mm: Human (1.8m×0.5m) - 25 ~ 1478 m, Vehicle (4.0m×1.5m) - 76 ~ 4532 m	
Recognition	6 ~ 360 mm: Human (1.8m×0.5m) - 12 ~ 745 m, Vehicle (4.0m×1.5m) - 38 ~ 2284 m	
Identification	6 ~ 360 mm: Human (1.8m×0.5m) - 6 ~ 372 m, Vehicle (4.0m×1.5m) - 19 ~ 1142 m	
VIDEO & AUDIO	Video Compression	H.265, H.264, MJPEG
	Frame Rate	Main Stream: Thermal: (1280×1024, 1280×720, 1024×768) @25fps; Visible: (2688×1520, 1920×1080, 1280×720) @25/30fps Sub Stream: Thermal: (640×512, 384×288) @25fps; Visible: (1920×1080, 1280×720, 704×480, 352×240) @30fps (1920×1080, 1280×720, 704×576, 352×288) @25fps
	Stream Settings	i-Frame, PAL/NTSC, Frame Rate
	EIS	Supported
	Video Bit Rate	128kbps ~ 16 Mbps
	Bit Rate Type	CBR, VBR
	Image Settings	Brightness, Contrast, Saturation, Hue, Sharpness, Rotation/Mirror, Gain, Exposure, Day/Night
	White Balance	Auto, Day/Night, Tungsten, Fluorescent, Shadow, Manual
	HLC	Supported
	BLC	Supported
	OSD	Up to 7 regions
OSD Type	Channel Title, Date, Time, Geography, Picture Overlay	
ROI	Up to 1 region	
Privacy Masking	Up to 24 region	
AUDIO	Audio Compression	G.711A, G.711U, PCM_AAC
	Audio Bitrate	16 Kbps
	Audio I/O	1/1
SMART	Behaviour Detection	Thermal/Visible: Intrusion (Perimeter), Crossline (Tripwire), Double Crossline (Double Tripwire)
	Intelligent Identification	Thermal/Visible: Loitering, Abandoned Object (Object Left), Missing Object (Object Lost), Region Entry / Exit Detection, Flame Point Detection, Smoke Detection, Flame Detection
	Statistical Analysis	Thermal/Visible: Human & Vehicle Classification, Crowd Detection, Parking
	Alarm Management	Motion Detection, Tampering Alarm, Disk Full Alarm, Temperature Alarm, Input / Output Alarm, Network Alarm
	Alarm Notification	E-mail (Notification & Snapshot), HTTP (Alarm icon), FTP (Snapshot & Recording), SD Card (Recording)
	Auto	Tracking Supported

★Product specification and availability are subject to change without notice.

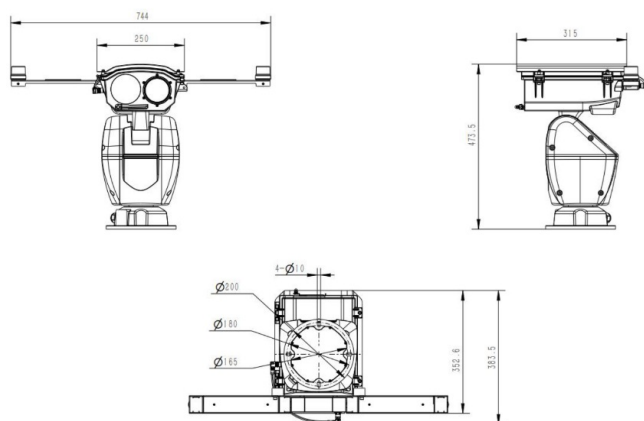
# IP DUAL SENSOR THERMAL PTZ CAMERA



## ENC-HHP7Z-60X-06

MODEL	Model No.	ENC-HHP7Z-60X-06
	Type	IP DUAL SENSOR THERMAL PTZ CAMERA
INTERFACE	Protocols	TCP/IP, IPv4, IPv6, UDP, UPnP, ICMP, PPPoE, HTTP, HTTPS, FTP, DHCP, DNS, DDNS, RTP, RTSP, RTCP, IGMP, SMTP, SNMP, NTP, QoS
	Compatibility	ONVIF (Profile S), SDK/CGI
	Network	1x RJ45 10M/100M Self Adaptive Ethernet Port
	Serial Interface	1xRS485
	Edge Storage	Micro SD Card Slot, up to 256 GB
	GNSS	Supported (Optional)
	Gyro Stabilization	Supported
	Alarm I/O	7/2
	Heater	Supported
	Fan	Supported
	Wiper	Supported
	Max.User	20
	PAN AND TILT	Pan Range
Pan Speed		Pan Manual Speed: 0.1°~ 100°/s, Pan Preset Speed: 100°/s
Tilt Range		-90° ~ +40°
Tilt Speed		Tilt Manual Speed: 0.1° ~ 60°/s, Tilt Preset Speed: 60°/s
Preset Accuracy		±0.2°
Number of Preset		256
3D Position		Supported
Power off Memory		Supported
PTZ Mode		16 Scan, 2 Track, 8 Patrol
GENERAL		Power Supply
	Max. Power Consumption	75 W
	Working Temperature	-40 °C ~ 70 °C
	Working Humidity	≤90% RH
	Ingress Protection	IP66
	Vandal Resistant	IK10 (Housing)
	Surge Protection	TVS6000V
	Dimensions	250x475x315 mm
Weight	14 Kg	

Dimension Unit : mm



★Product specification and availability are subject to change without notice.

►NORDEN® | IP DUAL SENSOR THERMAL PTZ CAMERA - GB - Version: 2.0

www.nordencommunication.com

# IP DUAL SENSOR THERMAL PTZ CAMERA



## ENC-HHP7Z-60X-06

### ORDERING INFORMATION

Part Number	Description	Standard Quantity
ENC-HHP7Z-60X-06 (With 50 mm Thermal Lens)	4MP IP Dual Sensor Temperature Detection Thermal PTZ Camera with Visible Lens of 60X Optical Zoom and Thermal Imaging Camera with 640*512 Thermal Resolution and SD Card Slot Support	1
ENC-HHP7Z-60X-06 (With 50 mm Thermal Lens and GNSS)	4MP IP Dual Sensor Temperature Detection Thermal PTZ Camera with Visible Lens of 60X Optical Zoom and Thermal Imaging Camera with 640*512 Thermal Resolution and SD Card Slot Support	1
ENC-HHP7Z-60X-06 (With 75 mm Thermal Lens)	4MP IP Dual Sensor Temperature Detection Thermal PTZ Camera with Visible Lens of 60X Optical Zoom and Thermal Imaging Camera with 640*512 Thermal Resolution and SD Card Slot Support	1
ENC-HHP7Z-60X-06 (With 75 mm Thermal Lens and GNSS)	4MP IP Dual Sensor Temperature Detection Thermal PTZ Camera with Visible Lens of 60X Optical Zoom and Thermal Imaging Camera with 640*512 Thermal Resolution and SD Card Slot Support	1
ENC-HHP7Z-60X-06 (With 100 mm Thermal Lens)	4MP IP Dual Sensor Temperature Detection Thermal PTZ Camera with Visible Lens of 60X Optical Zoom and Thermal Imaging Camera with 640*512 Thermal Resolution and SD Card Slot Support	1
ENC-HHP7Z-60X-06 (With 100 mm Thermal Lens and GNSS)	4MP IP Dual Sensor Temperature Detection Thermal PTZ Camera with Visible Lens of 60X Optical Zoom and Thermal Imaging Camera with 640*512 Thermal Resolution and SD Card Slot Support	1
ENC-HHP7Z-60X-06 (With 25 ~ 75 mm Thermal Lens)	4MP IP Dual Sensor Temperature Detection Thermal PTZ Camera with Visible Lens of 60X Optical Zoom and Thermal Imaging Camera with 640*512 Thermal Resolution and SD Card Slot Support	1
ENC-HHP7Z-60X-06 (With 25 ~ 75 mm Thermal Lens and GNSS)	4MP IP Dual Sensor Temperature Detection Thermal PTZ Camera with Visible Lens of 60X Optical Zoom and Thermal Imaging Camera with 640*512 Thermal Resolution and SD Card Slot Support	1

### PACKING INFORMATION

Part Number	Packing Mode	Gross weight(Kg)	Dimension(mm)
ENC-HHP7Z-60X-06	Carton Box	-	-

★Product specification and availability are subject to change without notice.