

AHD REAR VIEW VEHICLE CAMERA



ENC-MTT5F-08R-00

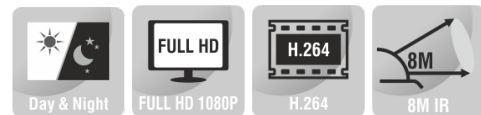
FEATURES

2MP Resolution

3.6 mm Fixed Lens

M12 Connector

Smart IR up to 8 m



SPECIFICATION

| | | |
|-----------------|--------------------------------|---|
| MODEL | Model No. | ENC-MTT5F-08R-00 |
| | Type | AHD REAR VIEW VEHICLE CAMERA |
| CAMERA | Image Sensor | 1/2.8" CMOS |
| | Day / Night | Auto / Color / Black & White |
| | Lens | 3.6 mm |
| | Angle of View (H) | 100.0° |
| | Angle of View (v) | 58.8° |
| | Angle of View (D) | 116.0° |
| | Shutter | 1/50s ~ 1/100,000s Auto / Manual |
| | Aperture Range | F1.8 |
| | Min. Illumination | Color: 0.1Lux @ F1.8, 0 Lux with IR on |
| | Digital Noise Reduction | 2D / 3D DNR |
| Smart IR | Up to 8 m | |
| VIDEO | Max. Resolution | 1920x1080 |
| | Video Compression | H.264 |
| | Frame Rate | (1920x1080, 1280x720) @ 25fps |
| | Synchronization System | Inter-Sync |
| GENERAL | Power Supply | 12V DC |
| | Max. Power consumption | ≤3.0W (IR ON), ≤1.5W (IR OFF) |
| | Working Temperature | -10 °C ~ 60 °C |
| | Working Humidity | ≤90% (non-condensing) |
| | Built-in Mic | Supported |
| | Connector Type | 4 Pin M12 |
| | Female Port | 4 Pin M12 Female Port Pin 1: DC+ Red Cable Pin 2: GND Knit Cable Pin 3: Audio Green Cable Pin 4: Video Yellow Cable |
| | Dimensions | 76.2x65.7x78.5 mm |
| | Weight | 0.27 kg |

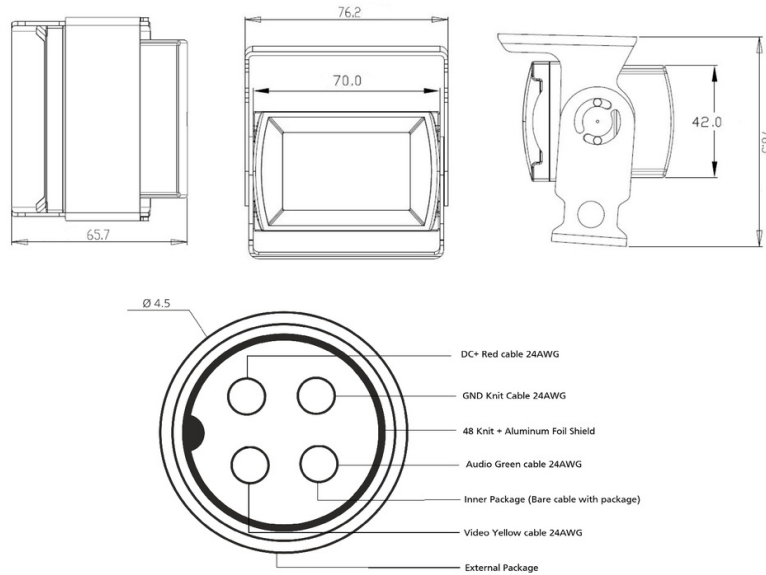
★Product specification and availability are subject to change without notice.

AHD REAR VIEW VEHICLE CAMERA



ENC-MTT5F-08R-00

Dimension Unit : mm



ORDERING INFORMATION

| Part Number | Description | Standard Quantity |
|------------------|--|-------------------|
| ENC-MTT5F-08R-00 | 2MP IR AHD Rear View Vehicle Camera with 8m IR Support, Power From MDVR- M12 Connector | 1 |

PACKING INFORMATION

| Part Number | Packing Mode | Gross weight(Kg) | Dimension(mm) |
|------------------|--------------|------------------|---------------|
| ENC-MTT5F-10R-00 | Carton Box | - | - |