

# IR ILLUMINATOR



## ENI-LSA060-100R

### FEATURES

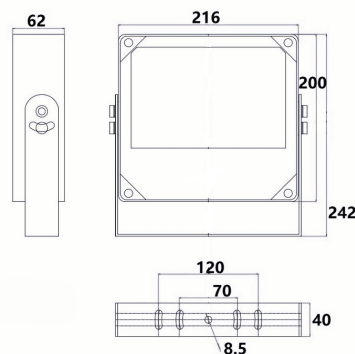
- 40 pcs IR LED
- 46 W IR Illuminator
- 100 m Distance Support
- IP66



### SPECIFICATION

MODEL		ENI-LSA060-100R
Type		IR ILLUMINATOR
GENERAL	Beam Angle	60°
	Beam Distance	100 m
	Day & Night	Auto
	Color	White
	LED	40 pcs LED
	Wavelength	850 nm
	Design Lifetime	50,000 hours
	Power Supply	110 ~ 220V AC
	Power Consumption	46W
	Working Temperature	-20 °C ~ 50 °C
	Ingress Protection	IP66
	Bracket	Wall Mount
	Material	Aluminium Die-Casting Housing
Panel	Tempered Glass Panel	
Dimensions	216x200x62 mm	
Net Weight	2.8 kg	
INSTALLATION	Power	The power and LED panel wires must both be pointing downward to prevent water incursion
	Earthing	Lighting safety precautions must be taken and power wires must be grounded
	Settings	Modify the bolt of brightness, sensor and time, gently
	Installation	Professional electricians or quality technicians should install and adjust
	Caution	Do not open the case and remove the power supply

Dimension Unit : mm



★Product specification and availability are subject to change without notice.

# IR ILLUMINATOR



## ENI-LSA060-100R

### ORDERING INFORMATION

Part Number	Description	Standard Quantity
ENI-LSA060-100R	IR illuminator with 40 pieces High Power IR LED, 60° Beam Angle, 100 m IR and IP66 Support	1

### PACKING INFORMATION

Part Number	Packing Mode	Gross weight(Kg)	Dimension(mm)
ENI-LSA060-100R	Carton Box	-	-