

Fingerprint Enroller



DESCRIPTION

The NAC-8012FE Fingerprint Enroller is equipped with a 500 DPI sensor for accurate fingerprint registration. It supports both template creation and identification, integrates with the company's software platform for user registration and verification, and includes an SDK to enable seamless integration with third-party systems.

APPLICATION

Company, building, banking and other enterprise etc.

FEATURES

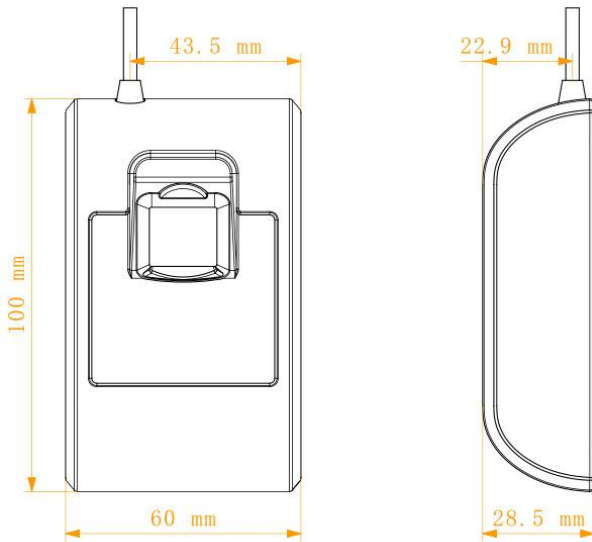
- Top algorithm for all fingerprint.
- USB 2.0 interface for faster transport.
- Offering SDK for developing.

TECHNICAL PARAMETERS	
Model	NAC-8012FE
Model	NAC-8012FE
Algorithm	3000 fingerprints
Sensor	Dark black light 500 DPI Sensor
Area	14mm*17mm
Template Size	280*360
Communication	USB 1.0/1.1/2.0
OS	Windows
Humidity	20%-60%
Temperature	0-45°C
USB line	120cm
Size	100*60*28mm

NAC-8012FE

Fingerprint Enroller

DIMENSION



ORDERING INFORMATION

Part Number	Description
NAC-8012FE	Fingerprint Enroller