

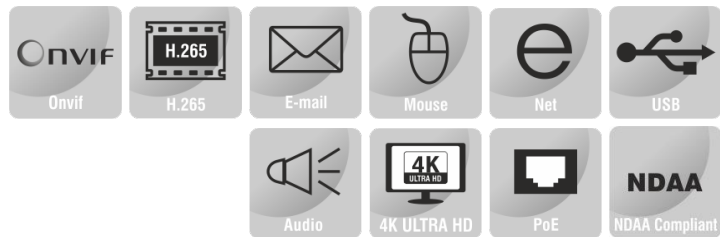
# 4CH EMBEDDED AI NETWORK VIDEO RECORDER



**ENR-01004-N-VPK**

## FEATURES

- 4 Channel Input (Upgradable to 5 Channels)
- AI-Driven Smart NVR
- Support Enhanced (H.265, H.264), H.265, H.264 Video Formats
- 1 SATA HDD
- HDMI and VGA Simultaneous Output
- ONVIF Profile (S, G, T)
- PoE Support



## SPECIFICATION

MODEL	Model No.	ENR-01004-N-VPK
	Type	4CH EMBEDDED AI NETWORK VIDEO RECORDER
VIDEO & AUDIO	Video Input	4-Ch (Upgradable to 5 Channels)
	Incoming Bandwidth	100 Mbps
	Outgoing Bandwidth	80 Mbps
	HDMI / VGA Output	HDMI : 3840×2160, 2560×1440, 1920×1080, 1440×900, 1280×1024, 1280×800, 1280×720, 1024×768 VGA : 1920×1080, 1440×900, 1280×1024, 1280×800, 1280×720, 1024×768
	Audio I/O	1-Ch Input (3.5 mm) / 1-Ch Output (RCA)
	Two-way Audio	Supported
	Screen Split	1/2A/2B/3/4/5/6
	Video Encryption	Supported
	OSD Type	Title, Week, Date, Time, Text with different colors and adaptable sizes
DECODING	Video Compression	Enhanced (H.265, H.264) H.265, H.264
	Video Bit Rate	32 kbps ~ 16 Mbps (per channel)
	Audio Compression	G.711A, G.711U, AAC, ADPCM_D
	Audio Bit Rate	8 kbp, 32kbps, 48 kbps
	Bit Rate Type	CBR, VBR
	Recording Resolution	16MP/12MP/8MP/6MP/5MP/4MP/3MP/1080P/UXGA/720P/VGA/4CIF/DCIF/2CIF/CIF/QCIF
	Recording Mode	Continuous, Manual, Event (Pre/Post, Motion etc.), Schedule, ANR, Record Interval by Time / Size
	Pre/Post Record Time	Pre (5~60 sec); Post (10~600 sec)
	Fisheye De-warping	N/A

★Product specification and availability are subject to change without notice.

# 4CH EMBEDDED AI NETWORK VIDEO RECORDER



## ENR-01004-N-VPK

MODEL	Model No.	ENR-01004-N-VPK
	Type	4CH EMBEDDED AI NETWORK VIDEO RECORDER
MONITORING	Preview Capability	1x16MP/2x8MP/3x6MP/4x5MP/5x4MP/5x3MP/5x1080P/5x720P/5x4CIF 1x16MP/2x8MP/2x6MP/3x5MP/4x4MP/5x3MP/5x1080P/5x720P/5x4CIF (AI enabled)
	Synchronous Playback	1x16MP/2x8MP/3x6MP/4x5MP/5x4MP/5x3MP/5x1080P/5x720P/5x4CIF 1x16MP/2x8MP/2x6MP/4x5MP/5x4MP/5x3MP/5x1080P/5x720P/5x4CIF (AI enabled)
	Live View Functions	Screen Matrix, Stream Type, System Alarm, Snapshot, Record, Talkback, Volume Adjustment, Full Screen, Digital Zoom
	Playback Functions	Sync Playback, Play, Pause, Stop, Fast Play, Slow Play, Backwards, Forwards, Full Screen, Backup Selection, Clip Management, Screen Matrix, Stream Type
	Corridor Mode	Supported
	Backup Mode	USB, Network
	Export Picture Format	JPG
	Export Video Format	MP4, SDV, AVI
	Download from Edge storage	MP4, SDV, AVI
INTERFACE	Protocols	TCP/IP, UDP, IPv4, IPv6, ICMP, HTTP, HTTPS, DHCP, DNS, DDNS, RTP, RTSP, RTCP, NFS, PPPoE, NTP, FTP, UPnP, SMTP, IGMP, SMB/CIFS, Multicast, Unicast, ARP, SSL, SRTP, SNMP, TLS1.2, 802.1X, QoS
	Compatibility	ONVIF Profile (S, G, T), CGI/SDK
	Network	1xRJ45 (10/100 Mbps) Self Adaptive Ethernet Port
	HDMI	1xHDMI
	VGA	1xVGA
	Serial Interface	N/A
	USB Interface	2xUSB 2.0
	Alarm I/O	4/1
	PoE Interface	4xRJ45 (10/100 Mbps) Self Adaptive Ethernet Port
PoE	PoE Budget	45 W
	Power per PoE Port	30 W
	Max. Current per PoE Port	600 mA
SMART	Built-in AI Analytics	Face Detection, Face Recognition, Intrusion (Perimeter), Crossline (Tripwire), Smart Motion Detection *Works even without AI-enabled cameras.
	Behavior Detection	Intrusion (Perimeter), Crossline (Tripwire), Double Crossline (Double Tripwire)
	Analytics	Loitering, Running, Abandoned object (Object Left), Missing object (Object Lost), Parking, Face Detection (Capture), People Counting, Crowd Detection, On Duty Detection, Helmet Detection, Abnormal Video & Audio Detection, Human and Vehicle Classification **Compatible with analytic supported cameras
	Alarm Management	Input & Output event, Alarm I/O error, Illegal access, IP Conflict, MAC Conflict, Network Interrupt, PoE overload, Hard disk full, No hard disk, Hard disk R/W error, Hard disk overload, HDD SMART check error, Abnormal recording, Abnormal temperature, Motion detection, Tampering (Masking), Smart detection, Video loss
STORAGE	SATA	1 SATA Interface
	Capacity	Up to 10 TB
	Array Type	N/A
	e-SATA	N/A
	ANR	Supported
GENERAL	Main Processor	Dual Core Embedded Processor
	Operating System	Embedded Linux
	User Permission	32 with multiple privilege level
	Client Application	EyeConnect
	Web Language	15
	Power Supply	48V DC, 1.36A
	Redundant Power	N/A
	Power Consumption (without HDD)	≤20 W
	Working Environment	-10 °C ~ 55 °C
	Humidity	10% ~ 90% RH
	Chassis	1U
	Dimension	255x231x45 mm
Net Weight	0.95 kg	

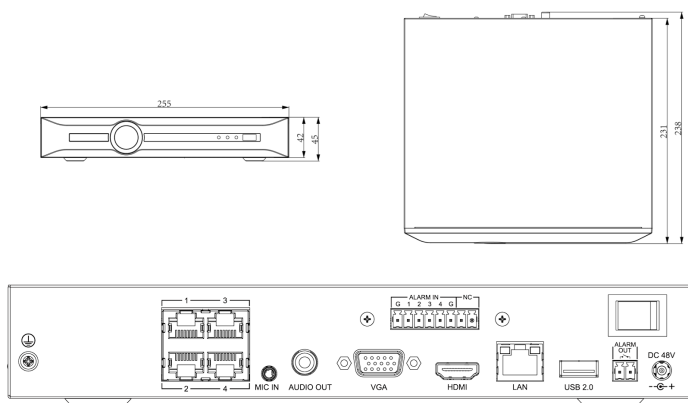
★Product specification and availability are subject to change without notice.

# 4CH EMBEDDED AI NETWORK VIDEO RECORDER



**ENR-01004-N-VPK**

Dimension Unit : mm



## ORDERING INFORMATION

Part Number	Description	Standard Quantity
ENR-01004-N-VPK	4Ch Embedded AI Network Video Recorder With 1 HDD Bay, Supports 4# PoE Ports, 4K Cameras, HDMI, VGA and ONVIF	1

## PACKING INFORMATION

Part Number	Packing Mode	Gross weight(Kg)	Dimension(mm)
ENR-01004-N-VPK	Carton Box	1.7	385x80x280

★Product specification and availability are subject to change without notice.