

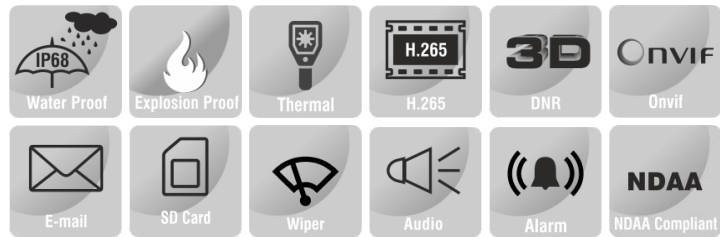
# 5MP EXPLOSION PROOF THERMAL PTZ CAMERA



## ENC-HPT8Z-37X-23

### FEATURES

316L Stainless Steel Construction
640x512 (Optional 400x300) Thermal Resolution
37X Optical Zoom (Upgrade up to 40X)
ONVIF Profile (S, G, T, M)
Wiper Support
ATEX/ IECEx/ (PESO) Certified
Applicable for GAS Zone 1, Zone 2, Class IIA, IIB, IIC
Applicable for Temperature Classes T1-T6
Applicable for Dust Zone 21, 22
IP68



### SPECIFICATION

<b>MODEL</b>	<b>Model No.</b>	<b>ENC-HPT8Z-37X-23</b>
	<b>Type</b>	5MP EXPLOSION PROOF THERMAL PTZ CAMERA
<b>THERMAL CAMERA</b>	<b>Detector Type</b>	Uncooled VOx Focal Plane Arrays
	<b>Effective Pixels</b>	640x512 and Image can be scaled up to 1280x1024 Optional (400x300 and Image can be scaled up to 704x576)
	<b>Pixel Size</b>	12um (640x512) / 17um (400x300)
	<b>Thermal Sensitivity (NETD)</b>	≤40 mK
	<b>Spectral Range</b>	8~14um
	<b>Image Setting</b>	Brightness, Sharpness, Contrast, Mirror, 3D DNR, Mirror / Flip, FFC
	<b>Color Palettes</b>	White & Black Hot, Ironbow, Rainbow etc. up to 17 modes
	<b>Iris</b>	Auto Fixed IRIS
<b>THERMAL LENS</b>	<b>Lens</b>	Fixed
	<b>Focus Control</b>	Motorized Focus
	<b>Focal Length</b>	25/50 mm
	<b>F No.</b>	F 1.0
	<b>Angle Of View</b>	25mm: 17.0° (H), 14.0° (V), 20.0° (D) (Optional: 15.4° (H), 11.6° (V), 19.3° (D)) 50mm: 8.0° (H), 7.0° (V), 10.6° (D) (Optional: 7.7° (H), 5.8° (V), 9.6° (D))
	<b>Detection</b>	25 mm: Human(1.8m×0.5m) - 1042 m (Optional 735 m), Vehicle(4.0m×1.5m) - 3194 m (Optional 2255 m) 50 mm: Human(1.8m×0.5m) - 2083 m (Optional 1471 m), Vehicle(4.0m×1.5m) - 6389 m (Optional 4510 m)
	<b>Recognition</b>	25 mm: Human(1.8m×0.5m) - 260 m (Optional 184 m), Vehicle(4.0m×1.5m) - 799 m (Optional 564 m) 50 mm: Human(1.8m×0.5m) - 521 m (Optional 368 m, 1127 m), Vehicle(4.0m×1.5m) - 1597 m (Optional 1127 m)
	<b>Identification</b>	25 mm: Human(1.8m×0.5m) - 130 m (Optional 92 m), Vehicle(4.0m×1.5m) - 399 m (Optional 282 m) 50 mm: Human(1.8m×0.5m) - 260 m (Optional 184 m), Vehicle(4.0m×1.5m) - 799 m (Optional 564 m)
	<b>Fire Detection</b>	25 mm: Fire(0.2m×0.02m) - 208 m (Optional 147 m), Fire(1.0m×1.0m) - 1042 m (Optional 735 m) 50 mm: Fire(0.2m×0.02m) - 417 m (Optional 294 m), Fire(1.0m×1.0m) - 2083 m (Optional 1471 m)

★Product specification and availability are subject to change without notice.

# 5MP EXPLOSION PROOF THERMAL PTZ CAMERA



## ENC-HPT8Z-37X-23

MODEL	Model No.	ENC-HPT8Z-37X-23
	Type	5MP EXPLOSION PROOF THERMAL PTZ CAMERA
VISIBLE CAMERA	Image Sensor	1/2.8" CMOS Progressive 5.0 MegaPixel
	Day / Night	IR Cut Filter with Auto Switch
	Lens Type	Motorized Lens
	Focal Length	5.4 ~ 200 mm (Optional 5 ~ 200 mm)
	Focus	Auto / Semi Auto / Manual
	Iris Type	DC Auto Iris
	Angle of View (H)	60.7° ~ 1.8° (Optional 64.8°~1.8°)
	Angle of View (V)	36.8° ~ 1.3° (Optional 50.3°~1.3°)
	Angle of View (D)	71.0° ~2.2° (Optional 82.0°~2.2°)
	Aperture Range	F1.6 ~ F4.3
	Optical Zoom	37x (Upgrade up to 40x)
	Digital Zoom	16x
	Electronic Shutter	1s - 1/100,000s, Auto/Manual
	Min. Illumination	Color: 0.001 lux @ F1.6, B/W: 0.001 lux @ F1.6
	AGC	Auto / Manual
	Digital Noise Reduction	2D & 3D DNR, Auto / Manual
	S/N Ratio	≥55 dB
	Defog	Smart Defog
	WDR	120 dB
	VIDEO	Lens
Detection		95.5 ~ 3280.0 m (Optional 82.0 ~ 3280.0 m )
Observation		38.0 ~ 1312.0 m (Optional 32.8 ~ 1312.0 m )
Recognition		19.0 ~ 656.0 m (Optional 16.4 ~ 656.0 m )
Identification		9.5 ~ 328.0 m (Optional 8.2 ~ 328.0 m )
Max. Resolution		2592x1944
Video Compression		Enhanced(H.265,H.264), H.265, H.264, MJPEG
Frame Rate		Main Stream: Thermal (640x512): (1280x1024,1280x720,640x512) @ 25fps, Thermal (400x300): (704x576 @ 25/30fps) Visible: (2592x1944, 2592x1520,1920x1080,1280x720) @25/30fps Sub Stream: Thermal (640x512): (704x576, 352x288 ) @25fps, Thermal (400x300): (352x288) @ 25/30fps Visible: (704x576, 640x480, 352x288) @ 25/30fps Third Stream: Visible(640x480, 352x288, 320x240 ) @ 25/30fps
Stream Settings		i-Frame, PAL/NTSC
EIS		Supported
Video Bit Rate		Thermal:100Kbps ~ 8 Mbps Visible: 100Kbps ~ 12 Mbps
Bitrate Type		CBR, VBR
Image Settings		Brightness, Contrast, Saturation, Sharpness, Day/Night (Color, Mono, Auto), Flip/Mirror/Rotation, Multiple Scene & Profile Auto, Day/Night, Manual
White Balance		Auto / Manual, Tungsten, Fluorescent, Daylight, Shadow
HLC		Supported
BLC		Supported
OSD		Up to 8 regions
OSD Type	Title, Week, Date, Time, Text with different colors and adaptable sizes, Image overlay	
ROI	Up to 8 regions	
Privacy Mask	Up to 4 regions	
AUDIO	Audio Compression	G.711U, G.711A, RAW_PCM
	Audio Bit Rate	64Kbps, 128Kbps
	Audio I/O	1/1

★Product specification and availability are subject to change without notice.

# 5MP EXPLOSION PROOF THERMAL PTZ CAMERA



## ENC-HPT8Z-37X-23

<b>MODEL</b>	<b>Model No.</b>	<b>ENC-HPT8Z-37X-23</b>
	<b>Type</b>	5MP EXPLOSION PROOF THERMAL PTZ CAMERA
<b>SMART</b>	<b>Behavior Detection</b>	Thermal / Visible: Intrusion (Perimeter), Crossline (Tripwire), Double crossline (Double Tripwire)
	<b>Intelligent Identification</b>	Thermal / Visible: Loitering, Smoke Detection Thermal : Region Entry / Exit, Flame Point Detection Visible : Flame Detection
	<b>Statistical Analysis</b>	Thermal / Visible: People Counting, Wrong Way Detection, Human & Vehicle Detection Thermal: Temperature Detection Visible: Illegal Parking, Face Detection
	<b>Alarm Management</b>	Motion Detection, Tampering (Masking), Input & Output Event, Network Alarm, Disk Alarm, Day Night Switch Alarm, Abnormal Audio Alarm, Pre/Post Alarm Recording, Alarm Recording/Snapshot
	<b>Alarm Notifications</b>	E-mail (Notification & Snapshot), HTTP (Alarm icon), FTP (Snapshot & Recording), SD Card (Recording)
	<b>Detection Mode</b>	Spot, Line, Area (Total 20 Rules - 1 Full Screen and 19 others)
<b>TEMPERATURE</b>	<b>Alarm</b>	Over/Difference Alarm
	<b>Accuracy</b>	±2°C / ±2%
	<b>Response Time</b>	≤30ms
	<b>Measurement Range</b>	Mode1: -20°C ~ 150°C (±0.2°C accuracy up to 15M and ±15-20% accuracy up to 50M)
	<b>Protocols</b>	TCP/IP, UDP, IPv4, IPv6, ICMP, HTTP, HTTPS, FTP, DHCP, DNS, DDNS, RTP, RTSP, RTCP, PPPoE, NTP, UPnP, SMTP, IGMP, 802.1X, Unicast, Multicast, QoS, ARP, SNMP, SSL/TLS1.2
<b>INTERFACE</b>	<b>Security</b>	AES 128/256 Video Encryption, IP Filter, User Authentication (Multiple Privilege Level), 802.1X Authentication (EAP-MD5), HTTPS Authentication, RTSP Authentication, Digest Authentication, User Access Log
	<b>Compatibility</b>	ONVIF (S, G, T, M), SDK, CGI
	<b>Network</b>	1 × RJ45 10M/100M Self Adaptive Ethernet Port
	<b>Alaram I/O</b>	1/1 (Customizable)
	<b>Serial Interface</b>	1×RS485
	<b>Edge Storage</b>	Micro SD Card Slot, up to 512 GB
	<b>ANR</b>	Supported
	<b>Built-in Heater</b>	Supported
	<b>Fan</b>	Supported
	<b>Wiper</b>	Supported
	<b>Max. User</b>	32
	<b>Web Language</b>	15
	<b>Client Application</b>	EyeGuard
	<b>PAN AND TILT</b>	<b>Pan Range</b>
<b>Pan Speed</b>		Pan Manual Speed: 0.1°/s ~ 45°/s, Pan Preset Speed: 45°/s
<b>Tilt Range</b>		-90 ~ +90°
<b>Tilt Speed</b>		Tilt Manual Speed: 0.1°/s ~ 45°/s, Tilt Preset Speed: 45°/s
<b>Preset Accuracy</b>		±0.1°
<b>Cruise Scan</b>		Supported
<b>Keep watch</b>		Supported
<b>Preset</b>		300
<b>Resume function</b>		Supported
<b>Auto Cruise</b>		Supported
<b>Auto Scan</b>		Supported
<b>Power Supply</b>		100 ~ 240V AC (Optional 24V AC, 24V DC)
<b>GENERAL</b>		<b>Max Power Consumption</b>
	<b>Working Temperature</b>	-40°C ~ 70°C
	<b>Working Humidity</b>	≤95% RH (non-condensing)
	<b>Atmospheric Pressure</b>	80 kPa ~ 110 kPa
	<b>Window Glass</b>	Strong Tempered Glass
	<b>Sun Shade</b>	Supported
	<b>Ingress Protection</b>	IP68
	<b>Surge Protection</b>	TVS6000V
	<b>Reset Button</b>	Supported
	<b>Dimensions</b>	567x360x494 mm
<b>Net Weight</b>	47 kg	

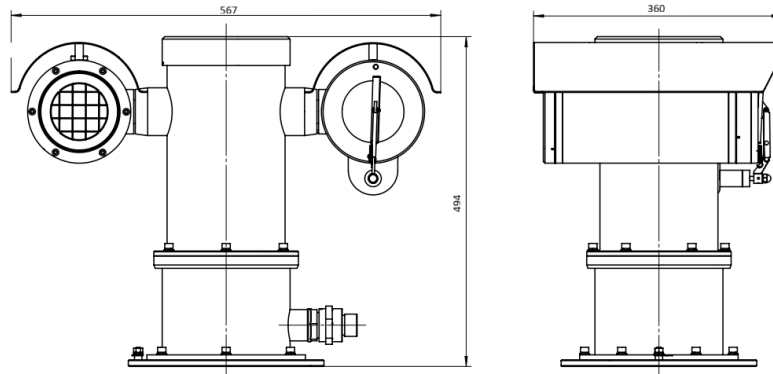
★Product specification and availability are subject to change without notice.

# 5MP EXPLOSION PROOF THERMAL PTZ CAMERA



## ENC-HPT8Z-37X-23

Dimension Unit : mm



### ORDERING INFORMATION

Part Number	Description	Standard Quantity
ENC-HPT8Z-37X-23 (With 25mm Motorized Focus Thermal Lens 640*512, 5.4 - 200 mm Optical Zoom Lens and 100~240 V AC)	5MP SS316L Explosion-proof IP Thermal PTZ camera with 640*512 Thermal Resolution, 25mm Motorized Focus Thermal Lens , 37X Optical Zoom, Wiper and SD Card Slot Support	1
ENC-HPT8Z-37X-23 (With 25mm Motorized Focus Thermal Lens 640*512, 5 - 200 mm Optical Zoom Lens and 100~240 V AC)	5MP SS316L Explosion-proof IP Thermal PTZ camera with 640*512 Thermal Resolution, 25mm Motorized Focus Thermal Lens , 40X Optical Zoom, Wiper and SD Card Slot Support	1
ENC-HPT8Z-37X-23 (With 25mm Motorized Focus Thermal Lens 400*300, 5.4 - 200 mm Optical Zoom Lens and 100~240 V AC)	5MP SS316L Explosion-proof IP Thermal PTZ camera with 400*300 Thermal Resolution, 25mm Motorized Focus Thermal Lens , 37X Optical Zoom, Wiper and SD Card Slot Support	1
ENC-HPT8Z-37X-23 (With 25mm Motorized Focus Thermal Lens 400*300, 5 - 200 mm Optical Zoom Lens and 100~240 V AC)	5MP SS316L Explosion-proof IP Thermal PTZ camera with 400*300 Thermal Resolution, 25mm Motorized Focus Thermal Lens , 40X Optical Zoom, Wiper and SD Card Slot Support	1
ENC-HPT8Z-37X-23 (With 50mm Motorized Focus Thermal Lens 640*512, 5.4 - 200 mm Optical Zoom Lens and 100~220 V AC)	5MP SS316L Explosion-proof IP Thermal PTZ camera with 640*512 Thermal Resolution, 50mm Motorized Focus Thermal Lens , 37X Optical Zoom, Wiper and SD Card Slot Support	1
ENC-HPT8Z-37X-23 (With 50mm Motorized Focus Thermal Lens 640*512, 5 - 200 mm Optical Zoom Lens and 100~220 V AC)	5MP SS316L Explosion-proof IP Thermal PTZ camera with 640*512 Thermal Resolution, 50mm Motorized Focus Thermal Lens , 40X Optical Zoom, Wiper and SD Card Slot Support	1
ENC-HPT8Z-37X-23 (With 50mm Motorized Focus Thermal Lens 400*300, 5.4 - 200 mm Optical Zoom Lens and 100~220 V AC)	5MP SS316L Explosion-proof IP Thermal PTZ camera with 400*300 Thermal Resolution, 50mm Motorized Focus Thermal Lens , 37X Optical Zoom, Wiper and SD Card Slot Support	1
ENC-HPT8Z-37X-23 (With 50mm Motorized Focus Thermal Lens 400*300, 5 - 200mm Optical Zoom Lens and 100~220 V AC)	5MP SS316L Explosion-proof IP Thermal PTZ camera with 400*300 Thermal Resolution, 50mm Motorized Focus Thermal Lens , 40X Optical Zoom, Wiper and SD Card Slot Support	1
ENC-HPT8Z-37X-23 (With 25mm Motorized Focus Thermal Lens 640*512, 5.4 - 200 mm Optical Zoom Lens and 24 V DC)	5MP SS316L Explosion-proof IP Thermal PTZ camera with 640*512 Thermal Resolution, 25mm Motorized Focus Thermal Lens , 37X Optical Zoom, Wiper and SD Card Slot Support	1
ENC-HPT8Z-37X-23 (With 25mm Motorized Focus Thermal Lens 640*512, 5 - 200 mm Optical Zoom and 24 V DC)	5MP SS316L Explosion-proof IP Thermal PTZ camera with 640*512 Thermal Resolution, 25mm Motorized Focus Thermal Lens , 40X Optical Zoom, Wiper and SD Card Slot Support	1

★Product specification and availability are subject to change without notice.

# 5MP EXPLOSION PROOF THERMAL PTZ CAMERA



## ENC-HPT8Z-37X-23

ENC-HPT8Z-37X-23 (With 25mm Motorized Focus Thermal Lens 400*300, 5.4 - 200mm Optical Zoom Lens and 24 V DC)	5MP SS316L Explosion-proof IP Thermal PTZ camera with 400*300 Thermal Resolution, 25mm Motorized Focus Thermal Lens , 37X Visible Optical Zoom, Wiper and SD Card Slot Support	1
ENC-HPT8Z-37X-23 (With 25mm Motorized Focus Thermal Lens 400*300, 5 - 200 mm Optical Zoom Lens and 24 V DC)	5MP SS316L Explosion-proof IP Thermal PTZ camera with 400*300 Thermal Resolution, 25mm Motorized Focus Thermal Lens , 40X Visible Optical Zoom, Wiper and SD Card Slot Support	1
ENC-HPT8Z-37X-23 (With 50mm Motorized Focus Thermal Lens 640*512, 5.4 - 200 mm Optical Zoom Lens and 24 V DC)	5MP SS316L Explosion-proof IP Thermal PTZ camera with 640*512 Thermal Resolution, 50mm Motorized Focus Thermal Lens , 37X Optical Zoom, Wiper and SD Card Slot Support	1
ENC-HPT8Z-37X-23 (With 50mm Motorized Focus Thermal Lens 640*512, 5 - 200 mm Optical Zoom Lens and 24 V DC)	5MP SS316L Explosion-proof IP Thermal PTZ camera with 640*512 Thermal Resolution, 50mm Motorized Focus Thermal Lens , 40X Optical Zoom, Wiper and SD Card Slot Support	1
ENC-HPT8Z-37X-23 (With 50mm Motorized Focus Thermal Lens 400*300, 5.4 - 200 mm Optical Zoom Lens and 24 V DC)	5MP SS316L Explosion-proof IP Thermal PTZ camera with 400*300 Thermal Resolution, 50mm Motorized Focus Thermal Lens , 37X Optical Zoom, Wiper and SD Card Slot Support	1
ENC-HPT8Z-37X-23 (With 50mm Motorized Focus Thermal Lens 400*300, 5 - 200 mm Optical Zoom Lens and 24 V DC)	5MP SS316L Explosion-proof IP Thermal PTZ camera with 400*300 Thermal Resolution, 50mm Motorized Focus Thermal Lens , 40X Optical Zoom, Wiper and SD Card Slot Support	1
ENC-HPT8Z-37X-23 (With 25mm Motorized Focus Thermal Lens 640*512, 5.4 - 200 mm Optical Zoom Lens and 24 V AC)	5MP SS316L Explosion-proof IP Thermal PTZ camera with 640*512 Thermal Resolution, 25mm Motorized Focus Thermal Lens , 37X Optical Zoom, Wiper and SD Card Slot Support	1
ENC-HPT8Z-37X-23 (With 25mm Motorized Focus Thermal Lens 640*512, 5 - 200 mm Optical Zoom Lens and 24 V AC)	5MP SS316L Explosion-proof IP Thermal PTZ camera with 640*512 Thermal Resolution, 25mm Motorized Focus Thermal Lens , 40X Optical Zoom, Wiper and SD Card Slot Support	1
ENC-HPT8Z-37X-23 (With 25mm Motorized Focus Thermal Lens 400*300, 5.4 - 200 mm Optical Zoom Lens and 24 V AC)	5MP SS316L Explosion-proof IP Thermal PTZ camera with 400*300 Thermal Resolution, 25mm Motorized Focus Thermal Lens , 37X Optical Zoom, Wiper and SD Card Slot Support	1
ENC-HPT8Z-37X-23 (With 25mm Motorized Focus Thermal Lens 400*300, 5 - 200 mm Optical Zoom Lens and 24 V AC)	5MP SS316L Explosion-proof IP Thermal PTZ camera with 400*300 Thermal Resolution, 25mm Motorized Focus Thermal Lens , 40X Optical Zoom, Wiper and SD Card Slot Support	1
ENC-HPT8Z-37X-23 (With 50mm Motorized Focus Thermal Lens 640*512, 5.4 - 200 mm Optical Zoom Lens and 24 V AC)	5MP SS316L Explosion-proof IP Thermal PTZ camera with 640*512 Thermal Resolution, 25mm Motorized Focus Thermal Lens , 37X Optical Zoom, Wiper and SD Card Slot Support	1
ENC-HPT8Z-37X-23 (With 50mm Motorized Focus Thermal Lens 640*512, 5 - 200 mm Optical Zoom Lens and 24 V AC)	5MP SS316L Explosion-proof IP Thermal PTZ camera with 640*512 Thermal Resolution, 25mm Motorized Focus Thermal Lens , 40X Optical Zoom, Wiper and SD Card Slot Support	1
ENC-HPT8Z-37X-23 (With 50mm Motorized Focus Thermal Lens 400*300, 5.4 - 200 mm Optical Zoom Lens and 24 V AC)	5MP SS316L Explosion-proof IP Thermal PTZ camera with 400*300 Thermal Resolution, 50mm Motorized Focus Thermal Lens , 37X Optical Zoom, Wiper and SD Card Slot Support	1
ENC-HPT8Z-37X-23 (With 50mm Motorized Focus Thermal Lens 400*300, 5 - 200 mm Optical Zoom Lens and 24 V AC)	5MP SS316L Explosion-proof IP Thermal PTZ camera with 400*300 Thermal Resolution, 50mm Motorized Focus Thermal Lens , 40X Optical Zoom, Wiper and SD Card Slot Support	1
ENB-BZPW68	Wall Mount Bracket for Norden Explosion Proof PTZ Camera	1

★Product specification and availability are subject to change without notice.

# 5MP EXPLOSION PROOF THERMAL PTZ CAMERA



**ENC-HPT8Z-37X-23**

ENB-BZPH68	Corner Mount Bracket for Norden Explosion Proof PTZ Camera	1
ENB-BZPV68	Pole Mount Bracket for Norden Explosion Proof PTZ Camera	1
ENA-EXH010	1 Meter Explosion Proof Hose for Norden Explosion Proof Camera	1
ENA-EXH015	1.5 Meter Explosion Proof Hose for Norden Explosion Proof Camera	1
ENA-EXH020	2 Meter Explosion Proof Hose for Norden Explosion Proof Camera	1

## PACKING INFORMATION

Part Number	Packing Mode	Gross weight(Kg)	Dimension(mm)
ENC-HPT8Z-37X-23	Carton Box	-	-