

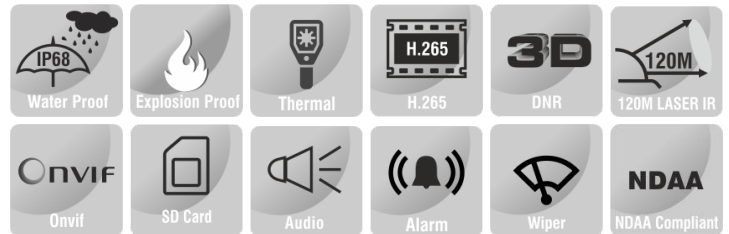
4MP EXPLOSION PROOF THERMAL PTZ CAMERA



ENC-HPT7Z-120R-23

FEATURES

- 316L Stainless Steel Construction
- 640x512 Thermal Resolution
- 30X Optical Zoom
- Wiper Support
- ATEX/ IECEx/ CCoE (PESO) Certified
- Applicable for GAS Zone 1, Zone 2, Class IIA, IIB, IIC
- Applicable for Temperature Classes T1-T6
- Applicable for Dust Zone 21, 22
- IP66, IP68(2m/2h), IP69



SPECIFICATION

MODEL	Model No.	ENC-HPT7Z-120R-23
	Type	4MP EXPLOSION PROOF THERMAL PTZ CAMERA
THERMAL CAMERA	Detector Type	Uncooled VOx Focal Plane Arrays
	Effective Pixels	640x512 and Image can be scaled up to 1280x1024
	Pixel Size	12um
	Thermal Sensitivity (NETD)	≤40 mK
	Spectral Range	7.5 ~ 14um
	Spatial Resolution	1.31 mrad (Optional 2.92 mrad / 0.92 mrad/ 0.48 mrad)
	Image Setting	Brightness, Sharpness, Contrast, Mirror, 3D DNR, Mirror / Flip, FFC
	Color Palettes	White & Black Hot, Ironbow, Rainbow etc up to 20 modes
THERMAL LENS	Lens	Fixed
	Focus Control	Fixed Focus
	Focal Length	9 mm (Optional 4/13/25 mm)
	F No.	F1.0
	Digital Zoom	8x
	Angle of View	4 mm: 100.0°(H), 82.0°(V), 129.3°(D) 9 mm: 48.6°(H), 38.6°(V), 62.0°(D) 13 mm: 32.9°(H), 26.6°(V), 42.3°(D) 25 mm: 17.4°(H), 14.0°(V), 22.3°(D)
	Detection	4 mm: Human(1.8m×0.5m) - 176 m, Vehicle(4.0m×1.5m) - 390 m 9 mm: Human(1.8m×0.5m) - 379 m, Vehicle(4.0m×1.5m) - 1163 m 13 mm: Human(1.8m×0.5m) - 542 m, Vehicle(4.0m×1.5m) - 1661 m 25 mm: Human(1.8m×0.5m) - 1042 m, Vehicle(4.0m×1.5m) - 3194 m
	Recognition	4 mm: Human(1.8m×0.5m) - 44 m, Vehicle(4.0m×1.5m) - 98 m 9 mm: Human(1.8m×0.5m) - 95 m, Vehicle(4.0m×1.5m) - 291 m 13 mm: Human(1.8m×0.5m) - 135 m, Vehicle(4.0m×1.5m) - 415 m 25 mm: Human(1.8m×0.5m) - 260 m, Vehicle(4.0m×1.5m) - 799 m
	Identification	4 mm: Human(1.8m×0.5m) - 22 m, Vehicle(4.0m×1.5m) - 49 m 9 mm: Human(1.8m×0.5m) - 47 m, Vehicle(4.0m×1.5m) - 145 m 13 mm: Human(1.8m×0.5m) - 68 m, Vehicle(4.0m×1.5m) - 208 m 25 mm: Human(1.8m×0.5m) - 130 m, Vehicle(4.0m×1.5m) - 399 m
	Fire Detection	4 mm: Fire(0.2m×0.2m) - 456 m, Fire (1.0m×1.0m) - 228 m 9 mm: Fire(0.2m×0.2m) - 1011 m, Fire (1.0m×1.0m) - 506m 13 mm: Fire(0.2m×0.2m) - 1444 m, Fire (1.0m×1.0m) - 722 m 25 mm: Fire(0.2m×0.2m) - 2778 m, Fire (1.0m×1.0m) - 1389 m

★Product specification and availability are subject to change without notice.

4MP EXPLOSION PROOF THERMAL PTZ CAMERA



ENC-HPT7Z-120R-23

MODEL	Model No.	ENC-HPT7Z-120R-23
	Type	4MP EXPLOSION PROOF THERMAL PTZ CAMERA
VISIBLE CAMERA	Image Sensor	1/2.8" CMOS Progressive 4.0 MegaPixel
	Day / Night	IR Cut Filter with Auto Switch
	Lens Type	Motorized Lens
	Focal Length	5 ~ 150 mm (Optional 4.5 ~ 135 mm)
	Focus	Auto / Semi Auto / Manual
	Iris Type	DC Auto Iris
	Angle of View (H)	55.0°~2.3° (Optional 60.7°~2.2°)
	Angle of View (V)	41.6°~1.7° (Optional 35.7°~1.2°)
	Angle of View (D)	68.8° ~ 2.8° (Optional 70.4°~2.5°)
	Aperture Range	F1.6 ~ F4.3
	Optical Zoom	30x
	Digital Zoom	16x
	Electronic Shutter	1s - 1/100,000s, Auto/Manual
	Min. Illumination	Color: 0.001 lux @ F1.6, B/W: 0.007 lux @ F1.6, 0 lux with IR
	AGC	Auto / Manual
	Digital Noise Reduction	2D & 3D DNR, Auto / Manual
	S/N Ratio	≥55 dB
	Defog	Smart Defog
WDR	120 dB	
Smart IR	120 m (Upgradable to 200 m)	
Wavelength	850 nm	
Detection	101.0 ~ 3060.0 m (Optional 69.8 ~ 1350.0 m)	
Observation	39.7 ~ 1203.0 m (Optional 27.9 ~ 2094.8 m)	
Recognition	19.1 ~ 615.0 m (Optional 14.0 ~ 837.9 m)	
Identification	10.1 ~ 306.0 m (Optional 7.0 ~ 419.0 m)	
	Max. Resolution	2592x1520
	Video Compression	Thermal: H.265, H.264, MJPEG Visible: Enhanced (H.265, H.264), H.265, H.264, MJPEG
	Frame Rate	Main Stream: Thermal: (1280x1024, 1024x768) @ 25/30fps; Visible: (2592x1520, 2560x1440, 2304x1296, 1920x1080, 1280x720) @ 25/30fps Sub Stream: Thermal: (640x512) @ 25/30fps; Visible: (704x576, 640x480, 352x288) @ 25/30fps Third Stream: Visible: (640x480, 352x288, 320x240) @ 25/30fps
	Stream Settings	i-Frame, PAL/NTSC, Frame Rate
	EIS	Supported
	Video Bit Rate	Thermal: 240 kbps ~ 6.4 Mbps Visible: 100 kbps ~ 16 Mbps
VIDEO	Bitrate Type	CBR, VBR
	Image Settings	Brightness, Contrast, Saturation, Sharpness, Day/Night (Color, Mono, Auto), Flip/Mirror/Rotation, Multiple Scene & Profile
	White Balance	Auto, Day / Night, Tungsten, Manual
	HLC	Supported
	BLC	Supported
	OSD	Up to 8 regions
	OSD Type	Title, Week, Date, Time, Text with adaptable sizes (Small / Medium / Big)
	ROI	Up to 8 regions
	Privacy Mask	Up to 8 regions
		Audio Compression
AUDIO	Audio I/O	1/1
	Audio Bit Rate	Thermal: 16 Kbps Visible: 64 Kbps, 128 Kbps

★Product specification and availability are subject to change without notice.

4MP EXPLOSION PROOF THERMAL PTZ CAMERA



ENC-HPT7Z-120R-23

MODEL	Model No.	ENC-HPT7Z-120R-23
	Type	4MP EXPLOSION PROOF THERMAL PTZ CAMERA
SMART	Behavior Detection	Thermal: Intrusion (Perimeter), Crossline (Tripwire) Visible: Intrusion (Perimeter), Crossline (Tripwire), Double crossline (Double Tripwire)
	Intelligent Identification	Thermal/Visible: Flame Detection Visible: Abandoned Object (Object Left), Missing Object (Object Lost), Loitering, Multi Loitering, Smoke Detection
	Statistical Analysis	Thermal: Temperature Detection Thermal/Visible: Human and Vehicle Detection Visible: People Counting, Wrong Way Detection, Face Detection, Illegal Parking
	Alarm Management	Motion Detection, Tampering (Masking), Input & Output Event, Network Alarm, Disk Alarm, Day Night Switch Alarm, Abnormal Audio Alarm, Pre/Post Alarm Recording, Alarm Recording/Snapshot
	Alarm Notifications	E-mail (Notification & Snapshot), HTTP (Alarm icon), FTP (Snapshot & Recording), SD Card (Recording)
	TEMPERATURE	Detection Mode
Alarm		Over/Difference Alarm
Accuracy		±2°C / ±2%
Response Time		≤100ms
Measurement Range		Low: 20°C ~ 150°C (68°F ~ 302°F) High: 0 ~ 650°C (32°F ~ 1202°F)
INTERFACE	Protocols	Thermal: IPv4, HTTP, HTTPS, SMTP, FTP, UPnP, DNS, DDNS, NTP, RTSP, RTCP, RTP, TCP, UDP, IGMP, ICMP, DHCP Visible: TCP/IP, UDP, IPv4, IPv6, ICMP, HTTP, HTTPS, FTP, DHCP, DNS, DDNS, RTP, RTSP, RTCP, PPPoE, NTP, UPnP, SMTP, IGMP, 802.1X, Unicast, Multicast, QoS, ARP, SNMP, SSL/TLS 1.2
	Security	Thermal: IP Filter, User Authentication (Multiple Privilege Level), HTTPS Authentication, RTSP Authentication, Digest Authentication, User Access Log Visible: AES 128/256 Encryption, IP Filter, User Authentication (Multiple Privilege Level), 802.1X Authentication (EAP-MD5), HTTPS Authentication, RTSP Authentication, Digest Authentication, User Access Log
	Compatibility	Thermal: ONVIF (S, G), SDK/CGI Visible: ONVIF (S, G, T, M), SDK/CGI
	Network	1 x RJ45 10M/100M Self Adaptive Ethernet Port
	Alarm I/O	1/1 (Customizable)
	Serial Interface	1xRS485
	Edge Storage	Micro SD Card Slot, up to 512 GB
	ANR	Supported
	Built in Heater	Supported
	Fan	Supported
	Wiper	Supported
	Max. User	32
	PAN AND TILT	Pan Range
Pan Speed		Pan Manual Speed: 0.1°/s ~ 45°/s, Pan Preset Speed: 45°/s
Tilt Range		-90 ~ +90°
Tilt Speed		Tilt Manual Speed: 0.1°/s ~ 45°/s, Tilt Preset Speed: 45°/s
Preset Accuracy		±0.1°
Cruise Scan		Supported
Keep Watch		Supported
Preset		300
Resume Function		Supported
Auto Cruise		Supported
Auto Scan		Supported
GENERAL	Power Supply	110 ~ 240V AC, (Optional 24V AC, 24V DC)
	Max. Power Consumption	≤70W (with thermostat)
	Working Temperature	-40°C ~ 70°C
	Working Humidity	≤95% RH (non-condensing)
	Atmospheric Pressure	80 kPa ~ 110 kPa
	Window Glass	Strong Tempered Glass
	Sun Shade	Supported
	Ingress Protection	IP66, IP68(2m/2h), IP69
	Surge Protection	TVS6000V
	Reset Button	Supported
Dimensions	567x360x494 mm	

★Product specification and availability are subject to change without notice.

4MP EXPLOSION PROOF THERMAL PTZ CAMERA

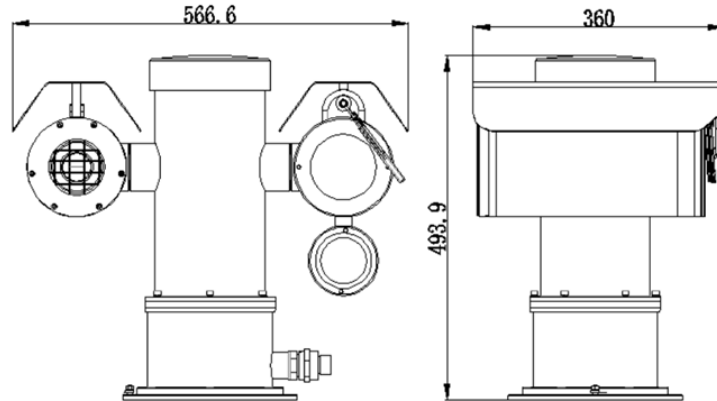


ENC-HPT7Z-120R-23

Net Weight

50 kg

Dimension Unit : mm



ORDERING INFORMATION

Part Number	Description	Standard Quantity
ENC-HPT7Z-120R-23 (With 4 mm Thermal Lens, 5 ~ 150 mm Visible Lens, 120 m IR and 110 ~ 240V AC Power Supply)	4MP SS316L Explosion-proof IP Thermal PTZ camera with 640*512 Thermal Resolution, 4 mm Thermal Lens , 30X Visible Optical Zoom, 120m IR Wiper and SD Card Slot Support	1
ENC-HPT7Z-120R-23 (With 4 mm Thermal Lens, 5 ~ 150 mm Visible Lens, 120 m IR and 24V AC Power Supply)	4MP SS316L Explosion-proof IP Thermal PTZ camera with 640*512 Thermal Resolution, 4 mm Thermal Lens, 30X Visible Optical Zoom, 120m IR, Wiper and SD Card Slot Support	1
ENC-HPT7Z-120R-23 (With 4 mm Thermal Lens, 5 ~ 150 mm Visible Lens, 120 m IR and 24V DC Power Supply)	4MP SS316L Explosion-proof IP Thermal PTZ camera with 640*512 Thermal Resolution, 4 mm Thermal Lens , 30X Visible Optical Zoom, 120m IR, Wiper and SD Card Slot Support	1
ENC-HPT7Z-120R-23 (With 4 mm Thermal Lens, 4.5 ~ 135 mm Visible Lens, 120 m IR and 110 ~ 240V AC Power Supply)	4MP SS316L Explosion-proof IP Thermal PTZ camera with 640*512 Thermal Resolution, 4 mm Thermal Lens , 30X Visible Optical Zoom, 120m IR Wiper and SD Card Slot Support	1
ENC-HPT7Z-120R-23 (With 4 mm Thermal Lens, 4.5 ~ 135 mm Visible Lens, 120 m IR and 24V AC Power Supply)	4MP SS316L Explosion-proof IP Thermal PTZ camera with 640*512 Thermal Resolution, 4 mm Thermal Lens , 30X Visible Optical Zoom, 120m IR Wiper and SD Card Slot Support	1
ENC-HPT7Z-120R-23 (With 4 mm Thermal Lens, 4.5 ~ 135 mm Visible Lens, 120 m IR and 24V DC Power Supply)	4MP SS316L Explosion-proof IP Thermal PTZ camera with 640*512 Thermal Resolution, 4 mm Thermal Lens, 30X Visible Optical Zoom, 120m IR Wiper and SD Card Slot Support	1
ENC-HPT7Z-120R-23 (With 4 mm Thermal Lens, 5 ~ 150 mm Visible Lens, 200 m IR and 110 ~ 240V AC Power Supply)	4MP SS316L Explosion-proof IP Thermal PTZ camera with 640*512 Thermal Resolution, 4 mm Thermal Lens , 30X Visible Optical Zoom, 200m IR Wiper and SD Card Slot Support	1
ENC-HPT7Z-120R-23 (With 4 mm Thermal Lens, 5 ~ 150 mm Visible Lens, 200 m IR and 24V AC Power Supply)	4MP SS316L Explosion-proof IP Thermal PTZ camera with 640*512 Thermal Resolution, 4 mm Thermal Lens , 30X Visible Optical Zoom, 200m IR Wiper and SD Card Slot Support	1
ENC-HPT7Z-120R-23 (With 4 mm Thermal Lens, 5 ~ 150 mm Visible Lens, 200 m IR and 24V DC Power Supply)	4MP SS316L Explosion-proof IP Thermal PTZ camera with 640*512 Thermal Resolution, 4 mm Thermal Lens , 30X Visible Optical Zoom, 200m IR Wiper and SD Card Slot Support	1

★Product specification and availability are subject to change without notice.

4MP EXPLOSION PROOF THERMAL PTZ CAMERA



ENC-HPT7Z-120R-23

ENC-HPT7Z-120R-23 (With 4 mm Thermal Lens, 4.5 ~ 135 mm Visible Lens, 200 m IR and 110 ~ 240V AC Power Supply)	4MP SS316L Explosion-proof IP Thermal PTZ camera with 640*512 Thermal Resolution, 4 mm Thermal Lens , 30X Visible Optical Zoom, 200m IR Wiperand SD Card Slot Support	1
ENC-HPT7Z-120R-23 (With 4 mm Thermal Lens, 4.5 ~ 135 mm Visible Lens, 200 m IR and 24V AC Power Supply)	4MP SS316L Explosion-proof IP Thermal PTZ camera with 640*512 Thermal Resolution, 4 mm Thermal Lens , 30X Visible Optical Zoom, 200m IR Wiper and SD Card Slot Support	1
ENC-HPT7Z-120R-23 (With 4 mm Thermal Lens, 4.5 ~ 135 mm Visible Lens, 200 m IR and 24V DC Power Supply)	4MP SS316L Explosion-proof IP Thermal PTZ camera with 640*512 Thermal Resolution, 4 mm Thermal Lens , 30X Visible Optical Zoom, 200m IR Wiper and SD Card Slot Support	1
ENC-HPT7Z-120R-23 (With 9 mm Thermal Lens, 5 ~ 150 mm Visible Lens, 120 m IR and 24V AC Power Supply)	4MP SS316L Explosion-proof IP Thermal PTZ camera with 640*512 Thermal Resolution, 9 mm Thermal Lens , 30X Visible Optical Zoom, 120m IR Wiper and SD Card Slot Support	1
ENC-HPT7Z-120R-23 (With 9 mm Thermal Lens, 5 ~ 150 mm Visible Lens, 120 m IR and 110 ~ 240V AC Power Supply)	4MP SS316L Explosion-proof IP Thermal PTZ camera with 640*512 Thermal Resolution, 9 mm Thermal Lens , 30X Visible Optical Zoom, 120m IR Wiperand SD Card Slot Support	1
ENC-HPT7Z-120R-23 (With 9 mm Thermal Lens, 5 ~ 150 mm Visible Lens, 120 m IR and 24V DC Power Supply)	4MP SS316L Explosion-proof IP Thermal PTZ camera with 640*512 Thermal Resolution, 9 mm Thermal Lens , 30X Visible Optical Zoom, 120m IR Wiper and SD Card Slot Support	1
ENC-HPT7Z-120R-23 (With 9 mm Thermal Lens, 4.5 ~ 135 mm Visible Lens, 120 m IR and 110 ~ 240V AC Power Supply)	4MP SS316L Explosion-proof IP Thermal PTZ camera with 640*512 Thermal Resolution, 9 mm Thermal Lens , 30X Visible Optical Zoom, 120m IR Wiperand SD Card Slot Support	1
ENC-HPT7Z-120R-23 (With 9 mm Thermal Lens, 4.5 ~ 135 mm Visible Lens, 120 m IR and 24V AC Power Supply)	4MP SS316L Explosion-proof IP Thermal PTZ camera with 640*512 Thermal Resolution, 9 mm Thermal Lens , 30X Visible Optical Zoom, 120m IR Wiper and SD Card Slot Support	1
ENC-HPT7Z-120R-23 (With 9 mm Thermal Lens, 4.5 ~ 135 mm Visible Lens, 120 m IR and 24V DC Power Supply)	4MP SS316L Explosion-proof IP Thermal PTZ camera with 640*512 Thermal Resolution, 9 mm Thermal Lens , 30X Visible Optical Zoom, 120m IR Wiper and SD Card Slot Support	1
ENC-HPT7Z-120R-23 (With 9 mm Thermal Lens, 5 ~ 150 mm Visible Lens, 200 m IR and 110 ~ 240V AC Power Supply)	4MP SS316L Explosion-proof IP Thermal PTZ camera with 640*512 Thermal Resolution, 9 mm Thermal Lens , 30X Visible Optical Zoom, 200m IR Wiperand SD Card Slot Support	1
ENC-HPT7Z-120R-23 (With 9 mm Thermal Lens, 5 ~ 150 mm Visible Lens, 200 m IR and 24V AC Power Supply)	4MP SS316L Explosion-proof IP Thermal PTZ camera with 640*512 Thermal Resolution, 9 mm Thermal Lens , 30X Visible Optical Zoom, 200m IR Wiper and SD Card Slot Support	1
ENC-HPT7Z-120R-23 (With 9 mm Thermal Lens, 5 ~ 150 mm Visible Lens, 200 m IR and 24V DC Power Supply)	4MP SS316L Explosion-proof IP Thermal PTZ camera with 640*512 Thermal Resolution, 9 mm Thermal Lens , 30X Visible Optical Zoom, 200m IR Wiper and SD Card Slot Support	1
ENC-HPT7Z-120R-23 (With 9 mm Thermal Lens, 4.5 ~ 135 mm Visible Lens, 200 m IR and 110 ~ 240V AC Power Supply)	4MP SS316L Explosion-proof IP Thermal PTZ camera with 640*512 Thermal Resolution, 9 mm Thermal Lens , 30X Visible Optical Zoom, 200m IR Wiperand SD Card Slot Support	1

★Product specification and availability are subject to change without notice.

4MP EXPLOSION PROOF THERMAL PTZ CAMERA



ENC-HPT7Z-120R-23

ENC-HPT7Z-120R-23 (With 9 mm Thermal Lens, 4.5 ~ 135 mm Visible Lens, 200 m IR and 24V AC Power Supply)	4MP SS316L Explosion-proof IP Thermal PTZ camera with 640*512 Thermal Resolution, 9 mm Thermal Lens , 30X Visible Optical Zoom, 200m IR Wiper and SD Card Slot Support	1
ENC-HPT7Z-120R-23 (With 9 mm Thermal Lens, 4.5 ~ 135 mm Visible Lens, 200 m IR and 24V DC Power Supply)	4MP SS316L Explosion-proof IP Thermal PTZ camera with 640*512 Thermal Resolution, 9 mm Thermal Lens , 30X Visible Optical Zoom, 200m IR Wiper and SD Card Slot Support	1
ENC-HPT7Z-120R-23 (With 13 mm Thermal Lens, 5 ~ 150 mm Visible Lens, 120 m IR and 110 ~ 240V AC Power Supply)	4MP SS316L Explosion-proof IP Thermal PTZ camera with 640*512 Thermal Resolution, 13 mm Thermal Lens , 30X Visible Optical Zoom, 120m IR Wiperand SD Card Slot Support	1
ENC-HPT7Z-120R-23 (With 13 mm Thermal Lens, 5 ~ 150 mm Visible Lens, 120 m IR and 24V AC Power Supply)	4MP SS316L Explosion-proof IP Thermal PTZ camera with 640*512 Thermal Resolution, 13 mm Thermal Lens , 30X Visible Optical Zoom, 120m IR Wiper and SD Card Slot Support	1
ENC-HPT7Z-120R-23 (With 13 mm Thermal Lens, 5 ~ 150 mm Visible Lens, 120 m IR and 24V DC Power Supply)	4MP SS316L Explosion-proof IP Thermal PTZ camera with 640*512 Thermal Resolution, 13 mm Thermal Lens , 30X Visible Optical Zoom, 120m IR Wiper and SD Card Slot Support	1
ENC-HPT7Z-120R-23 (With 13 mm Thermal Lens, 4.5 ~ 135 mm Visible Lens, 120 m IR and 110 ~ 240V AC Power Supply)	4MP SS316L Explosion-proof IP Thermal PTZ camera with 640*512 Thermal Resolution, 13 mm Thermal Lens , 30X Visible Optical Zoom, 120m IR Wiperand SD Card Slot Support	1
ENC-HPT7Z-120R-23 (With 13 mm Thermal Lens, 4.5 ~ 135 mm Visible Lens, 120 m IR and 24V AC Power Supply)	4MP SS316L Explosion-proof IP Thermal PTZ camera with 640*512 Thermal Resolution, 13 mm Thermal Lens , 30X Visible Optical Zoom, 120m IR Wiper and SD Card Slot Support	1
ENC-HPT7Z-120R-23 (With 13 mm Thermal Lens, 4.5 ~ 135 mm Visible Lens, 120 m IR and 24V DC Power Supply)	4MP SS316L Explosion-proof IP Thermal PTZ camera with 640*512 Thermal Resolution, 13 mm Thermal Lens , 30X Visible Optical Zoom, 120m IR Wiper and SD Card Slot Support	1
ENC-HPT7Z-120R-23 (With 13 mm Thermal Lens, 5 ~ 150 mm Visible Lens, 200 m IR and 110 ~ 240V AC Power Supply)	4MP SS316L Explosion-proof IP Thermal PTZ camera with 640*512 Thermal Resolution, 13 mm Thermal Lens , 30X Visible Optical Zoom, 200m IR Wiperand SD Card Slot Support	1
ENC-HPT7Z-120R-23 (With 13 mm Thermal Lens, 5 ~ 150 mm Visible Lens, 200 m IR and 24V AC Power Supply)	4MP SS316L Explosion-proof IP Thermal PTZ camera with 640*512 Thermal Resolution, 13 mm Thermal Lens , 30X Visible Optical Zoom, 200m IR Wiper and SD Card Slot Support	1
ENC-HPT7Z-120R-23 (With 13 mm Thermal Lens, 5 ~ 150 mm Visible Lens, 200 m IR and 24V DC Power Supply)	4MP SS316L Explosion-proof IP Thermal PTZ camera with 640*512 Thermal Resolution, 13 mm Thermal Lens , 30X Visible Optical Zoom, 200m IR Wiper and SD Card Slot Support	1
ENC-HPT7Z-120R-23 (With 13 mm Thermal Lens, 4.5 ~ 135 mm Visible Lens, 200 m IR and 110 ~ 240V AC Power Supply)	4MP SS316L Explosion-proof IP Thermal PTZ camera with 640*512 Thermal Resolution, 13 mm Thermal Lens , 30X Visible Optical Zoom, 200m IR Wiperand SD Card Slot Support	1
ENC-HPT7Z-120R-23 (With 13 mm Thermal Lens, 4.5 ~ 135 mm Visible Lens, 200 m IR and 24V AC Power Supply)	4MP SS316L Explosion-proof IP Thermal PTZ camera with 640*512 Thermal Resolution, 13 mm Thermal Lens , 30X Visible Optical Zoom, 200m IR Wiper and SD Card Slot Support	1
ENC-HPT7Z-120R-23 (With 13 mm Thermal Lens, 4.5 ~ 135 mm Visible Lens, 200 m IR and 24V DC Power Supply)	4MP SS316L Explosion-proof IP Thermal PTZ camera with 640*512 Thermal Resolution, 13 mm Thermal Lens , 30X Visible Optical Zoom, 200m IR Wiper and SD Card Slot Support	1

★Product specification and availability are subject to change without notice.

4MP EXPLOSION PROOF THERMAL PTZ CAMERA



ENC-HPT7Z-120R-23

ENC-HPT7Z-120R-23 (With 25 mm Thermal Lens, 5 ~ 150 mm Visible Lens, 120 m IR and 110 ~ 240V AC Power Supply)	4MP SS316L Explosion-proof IP Thermal PTZ camera with 640*512 Thermal Resolution, 25 mm Thermal Lens , 30X Visible Optical Zoom, 120m IR Wiperand SD Card Slot Support	1
ENC-HPT7Z-120R-23 (With 25 mm Thermal Lens, 5 ~ 150 mm Visible Lens, 120 m IR and 24V AC Power Supply)	4MP SS316L Explosion-proof IP Thermal PTZ camera with 640*512 Thermal Resolution, 25 mm Thermal Lens , 30X Visible Optical Zoom, 120m IR Wiper and SD Card Slot Support	1
ENC-HPT7Z-120R-23 (With 25 mm Thermal Lens, 5 ~ 150 mm Visible Lens, 120 m IR and 24V DC Power Supply)	4MP SS316L Explosion-proof IP Thermal PTZ camera with 640*512 Thermal Resolution, 25 mm Thermal Lens , 30X Visible Optical Zoom, 120m IR Wiper and SD Card Slot Support	1
ENC-HPT7Z-120R-23 (With 25 mm Thermal Lens, 4.5 ~ 135 mm Visible Lens, 120 m IR and 110 ~ 240V AC Power Supply)	4MP SS316L Explosion-proof IP Thermal PTZ camera with 640*512 Thermal Resolution, 25 mm Thermal Lens , 30X Visible Optical Zoom, 120m IR Wiperand SD Card Slot Support	1
ENC-HPT7Z-120R-23 (With 25 mm Thermal Lens, 4.5 ~ 135 mm Visible Lens, 120 m IR and 24V AC Power Supply)	4MP SS316L Explosion-proof IP Thermal PTZ camera with 640*512 Thermal Resolution, 25 mm Thermal Lens , 30X Visible Optical Zoom, 120m IR Wiper and SD Card Slot Support	1
ENC-HPT7Z-120R-23 (With 25 mm Thermal Lens, 4.5 ~ 135 mm Visible Lens, 120 m IR and 24V DC Power Supply)	4MP SS316L Explosion-proof IP Thermal PTZ camera with 640*512 Thermal Resolution, 25 mm Thermal Lens , 30X Visible Optical Zoom, 120m IR Wiper and SD Card Slot Support	1
ENC-HPT7Z-120R-23 (With 25 mm Thermal Lens, 5 ~ 150 mm Visible Lens, 200 m IR and 110 ~ 240V AC Power Supply)	4MP SS316L Explosion-proof IP Thermal PTZ camera with 640*512 Thermal Resolution, 25 mm Thermal Lens , 30X Visible Optical Zoom, 200m IR Wiperand SD Card Slot Support	1
ENC-HPT7Z-120R-23 (With 25 mm Thermal Lens, 5 ~ 150 mm Visible Lens, 200 m IR and 24V AC Power Supply)	4MP SS316L Explosion-proof IP Thermal PTZ camera with 640*512 Thermal Resolution, 25 mm Thermal Lens , 30X Visible Optical Zoom, 200m IR Wiper and SD Card Slot Support	1
ENC-HPT7Z-120R-23 (With 25 mm Thermal Lens, 5 ~ 150 mm Visible Lens, 200 m IR and 24V DC Power Supply)	4MP SS316L Explosion-proof IP Thermal PTZ camera with 640*512 Thermal Resolution, 25 mm Thermal Lens , 30X Visible Optical Zoom, 200m IR Wiper and SD Card Slot Support	1
ENC-HPT7Z-120R-23 (With 25 mm Thermal Lens, 4.5 ~ 135 mm Visible Lens, 200 m IR and 110 ~ 240V AC Power Supply)	4MP SS316L Explosion-proof IP Thermal PTZ camera with 640*512 Thermal Resolution, 25 mm Thermal Lens , 30X Visible Optical Zoom, 200m IR Wiperand SD Card Slot Support	1
ENC-HPT7Z-120R-23 (With 25 mm Thermal Lens, 4.5 ~ 135 mm Visible Lens, 200 m IR and 24V AC Power Supply)	4MP SS316L Explosion-proof IP Thermal PTZ camera with 640*512 Thermal Resolution, 25 mm Thermal Lens , 30X Visible Optical Zoom, 200m IR Wiper and SD Card Slot Support	1
ENC-HPT7Z-120R-23 (With 25 mm Thermal Lens, 4.5 ~ 135 mm Visible Lens, 200 m IR and 24V DC Power Supply)	4MP SS316L Explosion-proof IP Thermal PTZ camera with 640*512 Thermal Resolution, 25 mm Thermal Lens , 30X Visible Optical Zoom, 200m IR Wiper and SD Card Slot Support	1
ENB-BZPW68	Wall Mount Bracket for Norden Explosion Proof PTZ Camera	1
ENB-BZPH68	Corner Mount Bracket for Norden Explosion Proof PTZ Camera	1
ENB-BZPV68	Pole Mount Bracket for Norden Explosion Proof PTZ Camera	1
ENA-EXH010	1 Meter Explosion Proof Hose for Norden Explosion Proof Camera	1
ENA-EXH015	1.5 Meter Explosion Proof Hose for Norden Explosion Proof Camera	1
ENA-EXH020	2 Meter Explosion Proof Hose for Norden Explosion Proof Camera	1

★Product specification and availability are subject to change without notice.

4MP EXPLOSION PROOF THERMAL PTZ CAMERA



ENC-HPT7Z-120R-23

ENA-EXH100	10 Meter Explosion Proof Hose for Norden Explosion Proof Camera	1
------------	---	---

PACKING INFORMATION

Part Number	Packing Mode	Gross weight(Kg)	Dimension(mm)
ENC-HPT7Z-120R-23	Carton Box	-	-

★Product specification and availability are subject to change without notice.