

2MP PINHOLE PHOTOGRAPHIC CAMERA



ENC-HMP5F-00R-51

FEATURES

2MP Resolution
3.7 mm Lens
Triple Stream
ONVIF Profile (S, G, T)
PoE



SPECIFICATION

MODEL	Model No.	ENC-HMP5F-00R-51
	Type	2MP PINHOLE PHOTOGRAPHIC CAMERA
CAMERA	Image Sensor	1/2.8" Progressive CMOS Sensor
	Day/ Night	Auto
	Lens Type	Fixed
	Focal Length	3.7 mm
	Iris	Fixed Iris
	Aperture Range	F2.0
	Angle of View (H)	82.9°
	Angle of View (V)	41.1°
	Angle of View (D)	92.5°
	Electronic Shutter	1s ~ 1/100000s Auto/Manual
	Min. Illumination	Color: 0.01 Lux @ F2.0, BW:001 Lux
	AGC	Auto/ Manual
	Digital Noise Reduction	2D / 3D DNR
	S/N Ratio	≥55dB
WDR	120dB	
VIDEO	Max.Resolution	1920x1080
	Frame Rate	Main Stream: (1920x1080, 1280x960, 1280x720) @25/30fps Sub Stream: (704x576, 640x480, 640x360, 352x288, 320x240) @25/30fps Third Stream: (640x480, 352x288, 320x240) @25/30fps
	Stream Settings	i-Frame, PAL/NTSC, Frame Rate
	Video Compression	Enhanced (H.265), H.265, H.264, MJPEG
	Video Bit Rate	100 kbps ~ 6 Mbps
	Bit Rate Type	CBR, VBR
	Image Settings	Brightness, Contrast, Saturation, Sharpness, Flip / Mirror / Rotation, Multiple Scene & Profile
	White Balance	Auto, Tungsten, Fluorescent, Daylight, Shadow, Manual
	Corridor Mode	Supported
	HLC	Supported
	BLC	Supported
	OSD	Up to 7 regions
	OSD Type	Title, Week, Date, Time, Text with different colors and adaptable sizes, Image overlay
	ROI	Up to 8 regions
Privacy Mask	Up to 4 regions	

★Product specification and availability are subject to change without notice.

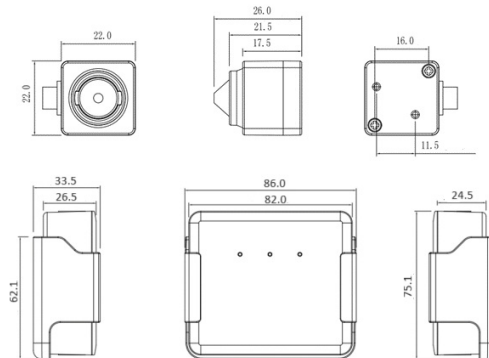
2MP PINHOLE PHOTOGRAPHIC CAMERA



ENC-HMP5F-00R-51

MODEL	Model No.	ENC-HMP5F-00R-51
	Type	2MP PINHOLE PHOTOGRAPHIC CAMERA
AUDIO	Audio Compression	G.711 U, G.711A, RAW_PCM
	Audio Bit Rate	64 kbps, 128 kbps
	Audio I/O	1/1
SMART	Behaviour Detection	Intrusion (Perimeter), Crossline (Tripwire), Double Crossline (Double Tripwire)
	Intelligent Identification	Loitering
	Statistical Analysis	Face Detection, Wrong Way Detection, Human & Vehicle Detection
	Alarm Management	Motion Detection, Input & Output Event, Network Alarm, Disk Alarm, Day Night Switch Alarm, Abnormal Audio Alarm, Pre/Post Alarm Recording, Alarm Recording/Snapshot
	Alarm Notifications	E-mail (Notification and Snapshot), HTTP (Alarm Icon), FTP (Snapshot and Recording), SD Card (Recording)
INTERFACE	Protocols	TCP/IP, UDP, IPv4, IPv6, ICMP, HTTP, HTTPS, FTP, DHCP, DNS, DDNS, RTP, RTSP, RTCP, PPPoE, NTP, UPnP, SMTP, IGMP, 802.1X, Unicast, Multicast, QoS, ARP, SNMP, SSL/TLS1.2
	Compatibility	ONVIF (Profile S, G, T), SDK / CGI
	Network	1 x RJ45 10M/100M Self Adaptive Ethernet port
	Alarm I/O	1/1
	Edge Storage	Micro SD Card Slot Up to 256 GB
	Cable Interface	Pig Tail
	Max. User	32
	Client Application	EyeGuard
	Web Language	15
	GENERAL	Power Supply
Max. Power Consumption		≤2.5 W
Working Temperature		-30 ~ 55°C
Working Humidity		≤95%RH
Housing		Metal + Plastic
Reset Button		Supported
Dimensions		Lens Part: 26.0 x 22 x 22 mm Camera Part: 86.0 x 75.1 x 33.5 mm
Cable Length		Standard: 2 m (Optional 6 m)
Weight		0.22Kg

Dimension Unit : mm



★Product specification and availability are subject to change without notice.

2MP PINHOLE PHOTOGRAPHIC CAMERA



ENC-HMP5F-00R-51

ORDERING INFORMATION

Part Number	Description	Standard Quantity
ENC-HMP5F-00R-51 (With 2 m Cable Length)	2MP Pin Hole Photographic with 3.7 mm Fixed Lens, WDR, PoE, SD Card Slot and Smart Analytics	1
ENC-HMP5F-00R-51 (With 6 m Cable Length)	2MP Pin Hole Photographic with 3.7 mm Fixed Lens, WDR, PoE, SD Card Slot and Smart Analytics	1

PACKING INFORMATION

Part Number	Packing Mode	Gross weight(Kg)	Dimension(mm)
ENC-HMP5F-00R-51	-	-	-