

2MP HIGH SPEED DOME CAMERA



ENC-HHP5Z-300R-150

FEATURES

45x Optical Zoom
16x Digital Zoom
Smart IR up to 300 m
ONVIF Profile (S, G, T)
Triple Streams
Audio & Alarm Support
PoE+, IP67, IK10



SPECIFICATION

MODEL	Model No.	ENC-HHP5Z-300R-150
	Type	2MP HIGH SPEED DOME CAMERA
CAMERA	Image Sensor	1/2.8", CMOS Progressive 2.0 MegaPixel
	Day/Night	IR Cut Filter with Auto Switch
	Lens Type	Motorized Zoom Lens
	Focal Length	5 ~ 225 mm (Optional 4 ~ 180 mm)
	Focus	Auto / Semi Auto / Manual
	Iris Type	DC Auto Iris
	Angle of View (H)	55.6° ~ 1.3° (Optional 65.7° ~ 1.9°)
	Angle of View (V)	31.4° ~ 0.7° (Optional 39.4° ~ 1.1°)
	Angle of View (D)	59.9° ~ 1.4° (Optional 73.1° ~ 2.1°)
	Aperture Range	F1.6 ~ F4.9
	Optical Zoom	45x
	Digital Zoom	16x
	Zoom Speed	7s
	Electronic Shutter	1s ~ 1/30,000s, Auto/Manual
	Min. Illumination	Color: 0.005 lux @ F1.6, B/W: 0.0005 lux @ F1.6, 0 lux with IR on
	AGC	Auto / Manual
Digital Noise Reduction	2D & 3D DNR	
S/N Ratio	≥55 dB	
Defog	Electronic Defog	
WDR	120 dB	
Smart IR	Up to 300 m	
IR LEDs	6	
Wavelength	850 nm	

★Product specification and availability are subject to change without notice.

★STQC certification: Under process

2MP HIGH SPEED DOME CAMERA



ENC-HHP5Z-300R-150

MODEL	Model No.	ENC-HHP5Z-300R-150
	Type	2MP HIGH SPEED DOME CAMERA
DORI	Lens	5 ~ 225 mm (Optional 4 ~ 180 mm)
	Detection	75.0 ~ 3384.4 m (Optional 61.5 ~ 2451.7 m)
	Observation	29.8 ~ 1364.5 m (Optional 23.6 ~ 972.9 m)
	Recognition	14.0 ~ 677.0 m (Optional 11.0 ~ 490.3 m)
	Identification	6.3 ~ 338.5 m (Optional 4.3 ~ 245.2 m)
VIDEO	Max. Resolution	1920x1080
	Video Compression	Enhanced (H.264), H.265, H.264, MJPEG
	Frame Rate	Main Stream: (1920x1080, 1280x720, 704x576) @ 25fps Sub Stream: (704x576, 640x480, 352x288) @ 25fps Third Stream: (1280x720) @ 25fps
	Stream Settings	i-Frame, PAL, Frame Rate
	EIS	Supported
	Video Bit Rate	25 kbps ~ 10 Mbps
	Bitrate Type	CBR, VBR
	Image Settings	Brightness, Contrast, Saturation, Sharpness, Chroma, Gamma, Day/Night (Color, Mono, Auto), Flip
	White Balance	Auto, Indoor, Outdoor, Tracking, Manual, Sodium Lamp, Natural Light, Street Lamp, ATW
	BLC	Supported
	HLC	Supported
	OSD	Up to 10 regions
	OSD Type	Title, Week, Date, Time, Text with different colors and adaptable sizes, Image overlay
	ROI	Up to 8 regions
	Privacy Masking	Up to 24 regions (with up to 8 areas in the same view)
AUDIO	Audio Compression	G.711U, G.711A, RAW_PCM
	Audio Bit Rate	64 kbps, 128 kbps
	Audio I/O	1/1
SMART	Behavior Detection	Intrusion (Perimeter), Crossline (Tripwire)
	Intelligent Identification	Abandoned Object (Object Left), Missing Object (Object Lost)
	Statistical Analysis	Face Detection
	Alarm Management	Motion Detection, Tampering (Masking), Input & Output Event, Network Alarm, Disk Alarm, Day Night Switch Alarm, Pre/Post Alarm Recording, Alarm Recording/Snapshot
	Alarm Notifications	E-mail (Notification & Snapshot), HTTP (Alarm icon), SFTP (Snapshot & Recording), SD Card (Recording)
Auto Tracking	Supported	
INTERFACE	Protocols	TCP/IP, UDP, IPv4, IPv6, HTTP, HTTPS, ARP, RTP, RTSP, RTCP, RTSPS, SMTP, SFTP, DHCP, DNS, DDNS, UPnP, NTP, NFS, FTP, PPPoE, SNMP, TLS 1.2, ICMP, IGMP, Unicast, Multicast, QoS,
	Security	AES 256 Video Encryption, IP Filter, User Authentication, 802.1X Authentication, HTTPS Authentication, RTSP Authentication, Digest Authentication, User Access Log
	Compatibility	ONVIF (S, G, T)
	Network	1 RJ45 10M/100M self adaptive Ethernet port
	Edge Storage	Micro SD Card Slot, up to 512 GB
	Alarm I/O	7/2
	Serial Interface	1 x RS485
	CVBS Output	Supported
	Built-in Fan	Supported
	Cable Interface	Pig Tail
Remote Connection	≤6	
Max. User	32	

★Product specification and availability are subject to change without notice.

★STQC certification: Under process

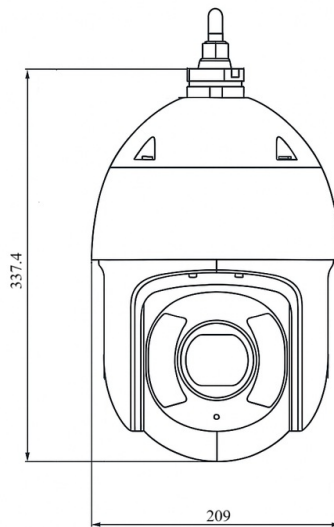
2MP HIGH SPEED DOME CAMERA



ENC-HHP5Z-300R-150

MODEL		ENC-HHP5Z-300R-150
Type		2MP HIGH SPEED DOME CAMERA
PAN AND TILT	Pan Range	0° ~ 360° (Endless)
	Pan Speed	Pan Manual Speed: 0.1°~ 260°/s, Pan Preset Speed: 300°/s
	Tilt Range	-20° ~ +90° (Auto Flip 180°)
	Tilt Speed	Tilt Manual Speed: 0.1° ~ 120°/s, Tilt Preset Speed: 200°/s
	Preset Accuracy	±0.1°
	Number of Preset	300
	3D Position	Supported
	Power off Recovery	Supported
	PTZ Status Display	Supported
	PTZ Mode	5 Pattern, 5 Scan, 8 Tour (Up to 32 Presets per Tour)
GENERAL	Power Supply	24V DC 2.5A / PoE+ (802.3at 36-57V DC, 0.8A)
	Max. Power Consumption	≤25 W
	Working Temperature	-40°C ~ 70°C
	Working Humidity	≤95%RH
	Casing	Metal
	Ingress Protection	IP67
	Vandal Resistant	IK10
	Surge Protection	TVS6000V
	Dimensions	Φ209 × 337.4 mm
	Net Weight	5.9 kg

Dimension Unit : mm



ORDERING INFORMATION

Part Number	Description	Standard Quantity
ENC-HHP5Z-300R-150 (With 5 ~ 225 mm Lens)	2MP IR IP H.265 High Speed Dome with 45X Optical Zoom, PoE+, SD Card Slot, WDR, Smart Analytics and 300m IR Support	1
ENC-HHP5Z-300R-150 (With 4 ~ 180 mm Lens)	2MP IR IP H.265 High Speed Dome with 45X Optical Zoom, PoE+, SD Card Slot, WDR, Smart Analytics and 300m IR Support	1

★Product specification and availability are subject to change without notice.

★STQC certification: Under process

2MP HIGH SPEED DOME CAMERA



ENC-HHP5Z-300R-150

PACKING INFORMATION

Part Number	Packing Mode	Gross weight(Kg)	Dimension(mm)
ENC-HHP5Z-300R-150	Carton Box	-	-

★Product specification and availability are subject to change without notice.

★STQC certification: Under process