

CEILING BRACKET FOR FISHEYE CAMERA



ENB-BCFC67

FEATURES

Aluminum Alloy

Max. Load Support up to 3 kg

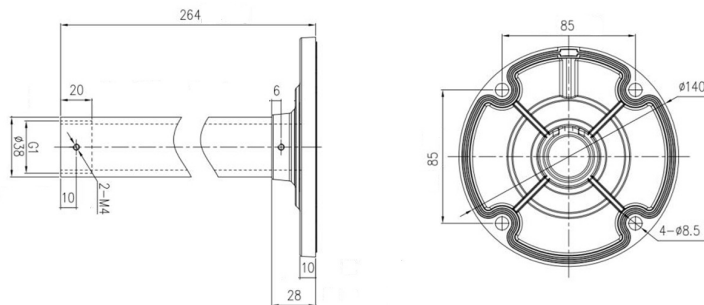
IP67



SPECIFICATION

MODEL		ENB-BCFC67
Model No.		ENB-BCFC67
Type		CEILING BRACKET FOR FISHEYE CAMERA
GENERAL	Construction	Aluminum Alloy
	Color	White
	Max. Weight Supported	3 kg
	Working Humidity	≤90% RH
	Dimensions	Ø140 × 264 mm
Weight	0.56 kg	

Dimension Unit : mm



ORDERING INFORMATION

Part Number	Description	Standard Quantity
ENB-BCFC67	Ceiling Bracket for Norden Fisheye Camera	1

PACKING INFORMATION

Part Number	Packing Mode	Gross weight(Kg)	Dimension(mm)
ENB-BCFC67	Carton Box	-	-

★Product specification and availability are subject to change without notice.

►NORDEN® | CEILING BRACKET FOR FISHEYE CAMERA - GB - Version: 2.0

www.nordencommunication.com