

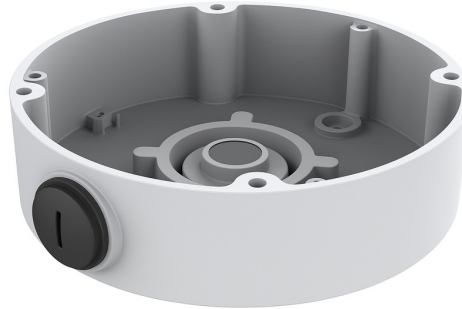
JUNCTION BOX FOR TURRENT CAMERA



ENB-BTEJ65

FEATURES

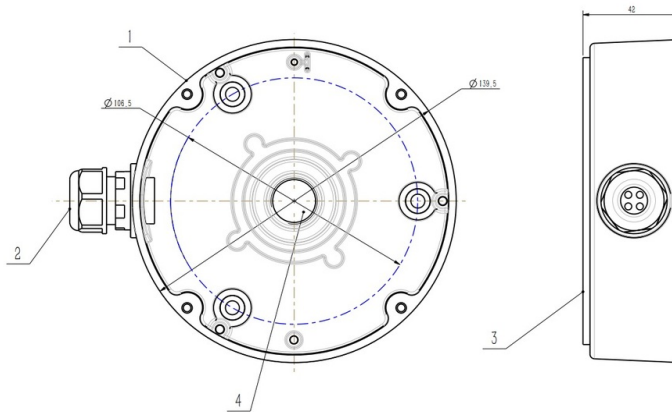
Metal
Max. Load Support up to 3 kg
Junction Box for Bullet Camera
IP65



SPECIFICATION

MODEL	Model No.	ENB-BTEJ65
	Type	JUNCTION BOX FOR TURRENT CAMERA
GENERAL	Construction	Metal
	Color	White
	Max. Weight Supported	3 kg
	Operating Temperature	-40°C~+70°C
	Dimensions	Φ139.5x42 mm
	Weight	0.36 kg

Dimension Unit : mm



ORDERING INFORMATION

Part Number	Description	Standard Quantity
ENB-BTEJ65	Junction Box for Norden Motorized Turret Camera	1

PACKING INFORMATION

Part Number	Packing Mode	Gross weight(Kg)	Dimension(mm)
ENB-BTEJ65	Carton Box	-	-

★Product specification and availability are subject to change without notice.

▶NORDEN® | JUNCTION BOX FOR TURRENT CAMERA - GB - Version: 2.0

www.nordencommunication.com