

IR ILLUMINATOR WITH IK10



ENI-GSA030-150R

FEATURES

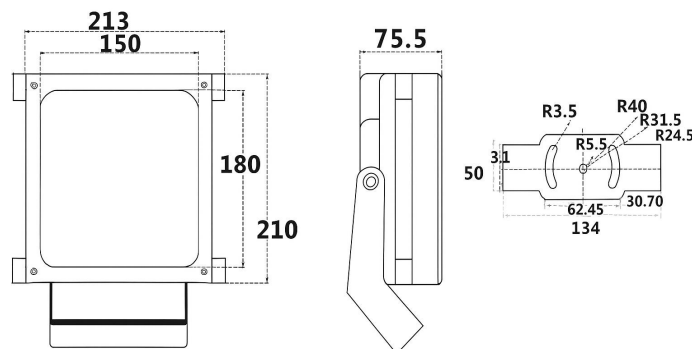
80W IR Illuminator
20 Pieces High Power LED
150 m Beam Distance
IP66, IK10



SPECIFICATION

MODEL	Model No.	ENI-GSA030-150R
	Type	IR ILLUMINATOR WITH IK10
GENERAL	Beam Angle	30°
	Beam IR Distance	150 m
	Day & Night	Auto
	Color	Black
	LED	20 pcs LED
	Wavelength	850nm
	Power Supply	12V DC, 7A
	Power Consumption	≤80W
	Working Temperature	-40 °C ~ 50 °C
	Ingress Protection	IP66
	Vandal Resistant	IK10
	Material	Aluminium Die-Casting Housing
	Panel	Tempered glass
Dimensions	208 x 206 x 75.5 mm	
Net Weight	2.1 kg	
INSTALLATION	Power	The power and LED panel wires must both be pointing downward to prevent water incursion
	Earthing	Lighting safety precautions must be taken and power wires must be grounded
	Settings	Modify the bolt of brightness, sensor and time, gently
	Installation	Professional electricians or quality technicians should install and adjust
	Caution	Before opening the casing, disconnect the power supply

Dimension Unit : mm



★Product specification and availability are subject to change without notice.

IR ILLUMINATOR WITH IK10



ENI-GSA030-150R

ORDERING INFORMATION

Part Number	Description	Standard Quantity
ENI-GSA030-150R	IR Illuminator with 20 Pieces High Power IR LED, 30° Beam Angle, 150m IR, IP66 and IK10 Support	1

PACKING INFORMATION

Part Number	Packing Mode	Gross weight(Kg)	Dimension(mm)
ENI-GSA030-150R	Carton Box	2.5 kg	290x250x170mm

★Product specification and availability are subject to change without notice.