

IP THERMAL PTZ CAMERA



ENC-HPT7Z-60X-06

FEATURES

640x512 Uncooled Infrared Detector
Sensitivity $\leq 40\text{mK}$
75/100 mm Thermal Fixed Lens
Gyro Stabilization
Built-in GNSS Module (Optional)
IP66



SPECIFICATION

MODEL	Model No.	ENC-HPT7Z-60X-06
	Type	IP THERMAL PTZ CAMERA
THERMAL CAMERA	Detector Type	Uncooled VOx Focal Plane Arrays
	Effective Pixels	640x512 and Image can be scaled up to 1280x1024
	Pixel Size	12 μm
	Thermal Sensitivity (NETD)	$\leq 40\text{ mK}$
	Spectral Range	8 ~ 14 μm
	Spatial Resolution	0.160 / 0.120 mrad
	Image Settings	Brightness, Sharpness, Contrast, 2D/3D DNR, Mirror / Flip, FFC
	Color Palettes	White & Black Hot, Ironbow, Rainbow etc up to 20 modes
	THERMAL LENS	Lens
Focus Control		Auto / Manual
Focal Length		75/100 mm
F No		F1.0 / F1.2
Digital Zoom		8x
Angle of View (H)		5.9° / 4.4°
Angle of View (V)		4.7° / 3.5°
Angle of View (D)		7.5° / 5.6°
Detection		75 mm: Human (1.8m×0.5m) - 3100 m, Vehicle (4.0m×1.5m) - 9600 m 100 mm: Human (1.8m×0.5m) - 4200 m, Vehicle (4.0m×1.5m) - 12800 m
Recognition		75 mm: Human (1.8m×0.5m) - 800 m, Vehicle (4.0m×1.5m) - 2400 m 100 mm: Human (1.8m×0.5m) - 1000 m, Vehicle (4.0m×1.5m) - 3200 m
Identification		75 mm: Human (1.8m×0.5 m) - 400 m, Vehicle (4.0m×1.5m) - 1200 m 100 mm: Human (1.8m×0.5m) - 500 m, Vehicle (4.0m×1.5m) - 1600 m
Fire Detection		75 mm: Fire Size (2.0m×2.0m) - 8000 m, Fire Size (1.0m×1.0m) - 4000 m 100 mm: Fire Size (2.0m×2.0m)- 10000 m, Fire Size (1.0m×1.0m) - 5000 m

★Product specification and availability are subject to change without notice.

IP THERMAL PTZ CAMERA



ENC-HPT7Z-60X-06

MODEL	Model No.	ENC-HPT7Z-60X-06
	Type	IP THERMAL PTZ CAMERA
VIDEO	Video Compression	H.265, H.264, MJPEG
	Frame Rate	Main Stream: Thermal: (1280×1024, 1280×720, 1024×768) @25fps Sub Stream: Thermal: (640×512, 384×288) @25fps
	Stream Settings	i-Frame, PAL/NTSC, Frame Rate
	EIS	Supported
	Video Bit Rate	128kbps ~ 16 Mbps
	Bit Rate Type	CBR, VBR
	OSD	Up to 7 regions
	OSD Type	Channel Title, Date, Time, Geography, Picture Overlay
	Privacy Masking	Up to 24 region
AUDIO	Audio Compression	G.711A, G.711U, PCM_AAC
	Audio Bitrate	16 Kbps
	Audio I/O	1/1
SMART	Behaviour Detection	Intrusion (Perimeter), Crossline (Tripwire), Double Crossline (Double Tripwire)
	Intelligent Identification	Loitering, Abandoned Object (Object Left), Missing Object (Object Lost), Region Entry / Exit Detection, Flame Point Detection, Smoke Detection, Flame Detection
	Statistical Analysis	Human & Vehicle Classification, Crowd Detection, Parking
	Alarm Management	Motion Detection, Tampering Alarm, Disk Full Alarm, Temperature Alarm, Input / Output Alarm, Network Alarm
	Alarm Notification	E-mail (Notification & Snapshot), HTTP (Alarm icon), FTP (Snapshot & Recording), SD Card (Recording)
	Auto	Tracking Supported
INTERFACE	Protocols	TCP/IP, IPv4, IPv6, UDP, UPnP, ICMP, PPPoE, HTTP, HTTPS, FTP, DHCP, DNS, DDNS, RTP, RTSP, RTCP, IGMP, SMTP, SNMP, NTP, QoS
	Compatibility	ONVIF (Profile S), SDK/CGI
	Network	1x RJ45 10M/100M Self Adaptive Ethernet Port
	Serial Interface	1xRS485
	Edge Storage	Micro SD Card Slot, up to 256 GB
	GNSS	Supported (Optional)
	Gyro Stabilization	Supported
	Alarm I/O	7/2
	Heater	Supported
	Fan	Supported
	Wiper	Supported
	Max.User	20
PAN AND TILT	Pan Range	0° ~ 360° (Endless)
	Pan Speed	Pan Manual Speed: 0.1° ~ 100°/s, Pan Preset Speed: 100°/s
	Tilt Range	-90° ~ +40°
	Tilt Speed	Tilt Manual Speed: 0.1° ~ 60°/s, Tilt Preset Speed: 60°/s
	Preset Accuracy	±0.2°
	Number of Preset	256
	3D Position	Supported
	Power off Memory	Supported
GENERAL	PTZ Mode	16 Scan, 2 Track, 8 Patrol
	Power Supply	DC 24V
	Max. Power Consumption	75 W
	Working Temperature	-40 °C ~ 70 °C
	Working Humidity	≤90% RH
	Ingress Protection	IP66
	Vandal Resistant	IK10 (Housing)
	Surge Protection	TVS6000V
	Dimensions	250×475×315 mm
Weight	14 Kg	

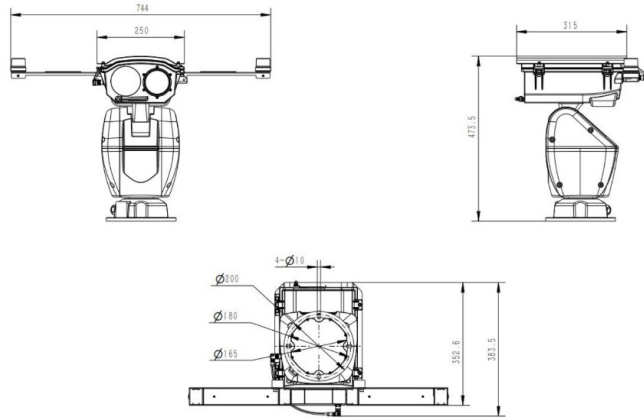
★Product specification and availability are subject to change without notice.

IP THERMAL PTZ CAMERA



ENC-HPT7Z-60X-06

Dimension Unit : mm



ORDERING INFORMATION

Part Number	Description	Standard Quantity
ENC-HPT7Z-60X-06 (With 75 mm Thermal Lens)	IP Temperature Detection Thermal PTZ Camera with Thermal Imaging Camera with 640*512 Thermal Resolution and SD Card Slot Support	1
ENC-HPT7Z-60X-06 (With 75 mm Thermal Lens, GNSS)	IP Temperature Detection Thermal PTZ Camera with Thermal Imaging Camera with 640*512 Thermal Resolution and SD Card Slot Support	1
ENC-HPT7Z-60X-06 (With 100 mm Thermal Lens)	IP Temperature Detection Thermal PTZ Camera with Thermal Imaging Camera with 640*512 Thermal Resolution and SD Card Slot Support	1
ENC-HPT7Z-60X-06 (With 100 mm Thermal Lens, GNSS)	IP Temperature Detection Thermal PTZ Camera with Thermal Imaging Camera with 640*512 Thermal Resolution and SD Card Slot Support	1

PACKING INFORMATION

Part Number	Packing Mode	Gross weight(Kg)	Dimension(mm)
ENC-HPT7Z-60X-06	Carton Box	-	-

★Product specification and availability are subject to change without notice.