

IP DUAL SENSOR THERMAL PTZ CAMERA



ENC-HPT7Z-60X-08

FEATURES

640x512 Uncooled Infrared Detector

Sensitivity $\leq 40\text{mK}$

35 ~ 350 mm Thermal Motorized Lens

Laser IR up to 3000 m (Optional)

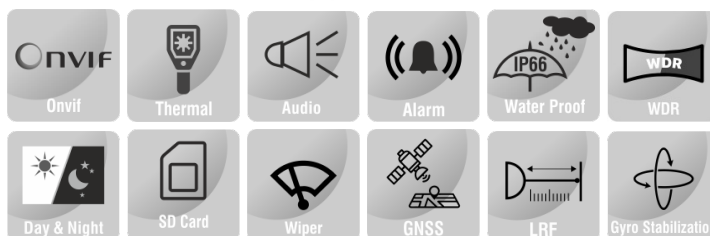
Laser Range Finder up to 15000 m (Optional)

Built-in Boat/Ship Detection

Built-in GNSS Module (Optional)

Gyro Stabilization

IP66



SPECIFICATION

MODEL	Model No.	ENC-HPT7Z-60X-08
	Type	IP DUAL SENSOR THERMAL PTZ CAMERA
THERMAL CAMERA	Detector Type	Uncooled VOx Focal Plane Arrays
	Effective Pixels	640x512
	Pixel Size	12 μm
	Thermal Sensitivity (NETD)	$\leq 40\text{ mK}$
	Spectral Range	8 ~ 14 μm
	Spatial Resolution	0.343 ~ 0.034 mrad
THERMAL LENS	Image Settings	Brightness, Sharpness, Contrast, 2D/3D DNR, Mirror / Flip, FFC
	Color Palettes	White & Black Hot, Ironbow, Rainbow etc up to 20 modes
	Lens	Motorized
	Focus Control	Auto / Manual
	Focal Length	35 ~ 350 mm
	F No	F0.92 ~ F1.5
	Digital Zoom	8x
	EIS	Supported
	Angle of View (H)	12.5° ~ 1.3°
	Angle of View (V)	10.0° ~ 1.0°
Angle of View (D)	16.0° ~ 1.64°	
THERMAL LENS	Detection	35 ~ 350 mm: Human (1.8mx0.5 m) - 1383 ~ 13835 m, Vehicle (1.4mx4.0 m) - 4600 ~ 46014 m
	Recognition	35 ~ 350 mm: Human (1.8mx0.5 m) - 346 ~ 3459 m, Vehicle (1.4mx4.0 m) - 1150 ~ 11503 m
	Identification	35 ~ 350 mm: Human (1.8mx0.5 m) - 198 ~ 1976 m, Vehicle (1.4mx4.0 m) - 575 ~ 5752 m
	Fire Detection	350 mm: Fire (2.0mx2.0m) - 38800 m, Fire (1.0mx1.0m) - 19400 m

★Product specification and availability are subject to change without notice.

IP DUAL SENSOR THERMAL PTZ CAMERA



ENC-HPT7Z-60X-08

MODEL	Model No.	ENC-HPT7Z-60X-08
	Type	IP DUAL SENSOR THERMAL PTZ CAMERA
VISIBLE CAMERA	Image Sensor	1/1.8" CMOS Progressive 4.0 MegaPixel
	Day / Night	Auto / Manual
	Max Resolution	2688x1520
	Focal Length	20 ~ 1200 mm
	Focus Control	Auto / Manual
	Angle of View (H)	22.6° ~ 0.37°
	Angle of View (V)	12.58° ~ 0.21°
	Angle of View (D)	25.24° ~ 0.43°
	Optical Zoom	60x
	Digital Zoom	16x
	Electronic Shutter	1/1 ~ 1/30000s, Auto / Manual
	Aperture	F2.9 ~ F11.3
	Min. Illumination	Color: 0.05 lux @ F2.9, B/W: 0.0001 lux @ F2.9, 0 lux with IR on
	S/N Ratio	≥55 dB
	Defog	Optical Defog
	Laser IR	Up to 3000 m (Optional)
	Laser Range Finder	Up to 15000 m (Optional)
Laser Spectral Range	808±10 nm	
WDR	120 dB	
Detection	20 ~ 1200 mm: Human (1.8m×0.5 m) - 207 ~ 12414 m, Vehicle (4.0m×1.5 m) - 634 ~ 38069 m	
Observation	20 ~ 1200 mm: Human (1.8m×0.5 m) - 82 ~ 4926 m, Vehicle (4.0m×1.5 m) - 252 ~ 15107 m	
Recognition	20 ~ 1200 mm: Human (1.8m×0.5 m) - 41 ~ 2483 m, Vehicle (4.0m×1.5 m) - 121 ~ 7614 m	
Identification	20 ~ 1200 mm: Human (1.8m×0.5 m) - 21 ~ 1241 m, Vehicle (4.0m×1.5 m) - 63 ~ 3807 m	
VIDEO	Video Compression	H.265, H.264, MJPEG
	Frame Rate	Main Stream: Thermal: (1280×1024, 1280×720, 1024×768) @25fps; Visible: (2688×1520, 2560×1440, 1920×1080)@25/30fps, Sub Stream: Thermal: (640×512, 384×288) @25fps; Visible: (1920×1080, 1280×720, 704×480, 352×240) @30fps, (1920×1080, 1280×720, 704×576, 352×288) @25fps
	Stream Settings	i-Frame, PAL/NTSC, Frame Rate
	EIS & OIS	Supported
	Video Bit Rate	128kbps ~ 16 Mbps
	Bit Rate Type	CBR, VBR
	Image Settings	Brightness, Contrast, Saturation, Hue, Sharpness, Rotation/Mirror, Gain, Exposure, Day/Night
	White Balance	Auto, Day/Night, Tungsten, Fluorescent, Shadow, Manual
	HLC	Supported
	BLC	Supported
	OSD	Up to 9 regions
	OSD Type	Channel Title, Date, Time, Geography, Picture Overlay
	ROI	Up to 1 region
Privacy Masking	Up to 24 region	
AUDIO	Audio Compression	G.711A, G.711U, PCM_AAC
	Audio Bitrate	16 Kbps
	Audio I/O	1/1
SMART	Behaviour Detection	Thermal/Visible: Intrusion (Perimeter), Crossline (Tripwire), Double Crossline (Double Tripwire)
	Intelligent Identification	Thermal/Visible: Loitering, Abandoned Object (Object Left), Missing Object (Object Lost), Region Entry / Exit Detection, Flame Point, Detection, Smoke Detection, Flame Detection
	Statistical Analysis	Thermal/Visible: Human & Vehicle Classification, Boat/Ship Detection, Crowd Detection, Parking
	Alarm Management	Motion Detection, Tampering Alarm, Disk Full Alarm, Temperature Alarm, Input / Output Alarm, Network Alarm
	Alarm Notification	E-mail (Notification & Snapshot), HTTP (Alarm icon), FTP (Snapshot & Recording), SD Card (Recording)
	Auto Tracking	Supported

★Product specification and availability are subject to change without notice.

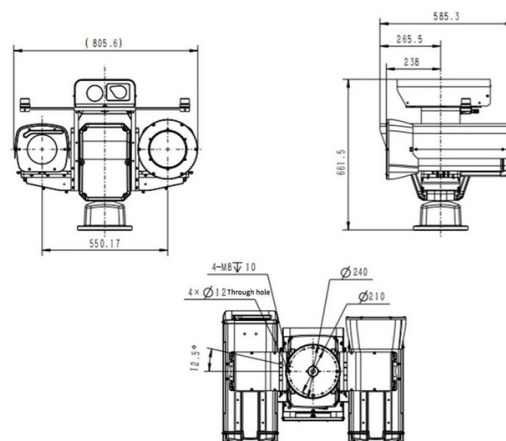
IP DUAL SENSOR THERMAL PTZ CAMERA



ENC-HPT7Z-60X-08

MODEL		ENC-HPT7Z-60X-08
Type		IP DUAL SENSOR THERMAL PTZ CAMERA
Protocols		TCP/IP, UDP, ICMP, HTTP, HTTPS, FTP, DHCP, DNS, RTP, RTSP, RTCP, IGMP, SMTP, NTP, QoS
Compatibility		ONVIF (Profile S), SDK/CGI
Network		1x RJ45 10M/100M Self Adaptive Ethernet Port
Serial Interface		1xRS485
Edge Storage		Micro SD Card Slot, Up to 1 TB
GNSS		Supported (Optional)
Gyro Stabilization		Supported
Alarm I/O		7/2
Built-in Heater		Supported
Built-in Fan		Supported
Wiper		Supported
Max.User		20
Pan Range		0° ~ 360° (Endless)
Pan Speed		Pan Manual Speed: 0.01°~ 120°/s, Pan Preset Speed: 120°/s
Tilt Range		-90° ~ +90°
Tilt Speed		Tilt Manual Speed: 0.01° ~ 60°/s, Tilt Preset Speed: 60°/s
Preset Accuracy		±0.001°
Number of Preset		1024
3D Position		Supported
Power off Memory		Supported
PTZ Mode		16 Scan, 2 Track, 8 Patrols
Power Supply		48V DC
Max. Power consumption		≤200 W
Working Temperature		-40 °C ~ 70 °C
Working Humidity		≤90% RH
Ingress Protection		IP66
Vandal Resistant		IK10 (Housing)
Surge Protection		TVS6000V
Dimensions		805.6×661.5×585.3 mm
Weight		74 Kg

Dimension Unit : mm



★Product specification and availability are subject to change without notice.

IP DUAL SENSOR THERMAL PTZ CAMERA



ENC-HPT7Z-60X-08

ORDERING INFORMATION

Part Number	Description	Standard Quantity
ENC-HPT7Z-60X-08	4MP IP Dual Sensor Temperature Detection Thermal PTZ Camera with Visible Lens of 60X Optical Zoom and Thermal Imaging Camera with 640*512 Thermal Resolution and SD Card Slot Support	1
ENC-HPT7Z-60X-08 (with GNSS)	4MP IP Dual Sensor Temperature Detection Thermal PTZ Camera with Visible Lens of 60X Optical Zoom and Thermal Imaging Camera with 640*512 Thermal Resolution and SD Card Slot Support	1
ENC-HPT7Z-60X-08 (with 3000 m Laser IR)	4MP IP Dual Sensor Temperature Detection Thermal PTZ Camera with Visible Lens of 60X Optical Zoom and Thermal Imaging Camera with 640*512 Thermal Resolution and SD Card Slot Support	1
ENC-HPT7Z-60X-08 (with GNSS, 3000 m Laser IR)	4MP IP Dual Sensor Temperature Detection Thermal PTZ Camera with Visible Lens of 60X Optical Zoom and Thermal Imaging Camera with 640*512 Thermal Resolution and SD Card Slot Support	1
ENC-HPT7Z-60X-08 (with 15000 m LRF)	4MP IP Dual Sensor Temperature Detection Thermal PTZ Camera with Visible Lens of 60X Optical Zoom and Thermal Imaging Camera with 640*512 Thermal Resolution and SD Card Slot Support	1
ENC-HPT7Z-60X-08 (with GNSS, 15000 m LRF)	4MP IP Dual Sensor Temperature Detection Thermal PTZ Camera with Visible Lens of 60X Optical Zoom and Thermal Imaging Camera with 640*512 Thermal Resolution and SD Card Slot Support	1
ENC-HPT7Z-60X-08 (3000 m Laser IR, 15000 m LRF)	4MP IP Dual Sensor Temperature Detection Thermal PTZ Camera with Visible Lens of 60X Optical Zoom and Thermal Imaging Camera with 640*512 Thermal Resolution and SD Card Slot Support	1
ENC-HPT7Z-60X-08 (with GNSS, 3000 m Laser IR, 15000 m LRF)	4MP IP Dual Sensor Temperature Detection Thermal PTZ Camera with Visible Lens of 60X Optical Zoom and Thermal Imaging Camera with 640*512 Thermal Resolution and SD Card Slot Support	1

PACKING INFORMATION

Part Number	Packing Mode	Gross weight(Kg)	Dimension(mm)
ENC-HPT7Z-60X-08	Carton Box	-	-

★Product specification and availability are subject to change without notice.