

# NETWORK PTZ KEYBOARD CONTROL



## ENJ-P0502M

### FEATURES

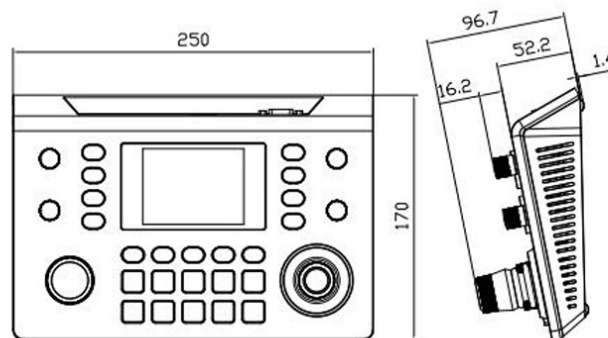
- 3D Joystick Control PTZ Function
- 3.49" LCD Screen with Realtime Image Display
- ONVIF Profile 2.4



### SPECIFICATION

MODEL	Model No.	ENJ-P0502M
	Type	NETWORK PTZ KEYBOARD CONTROL
INTERFACE	Display	3.49" LCD Screen
	Max. Resolution	640x480
	Video Compression	H.265, H.264
	OSD Menu	English
	Joystick	3D Joystick
	Network	1 x RJ45
	Serial Interface	1xRS485(Ta Tb GND), 1xRS422(Ta Tb Ra Rb GND), 1xRS232(DB9)
	Control Camera Quantity	255
	Compatibility	ONVIF 2.4
	Analog protocol	Visca, Pelco-D, Pelco-P
Number Of Buttons	23	
GENERAL	Power Supply	DC 12V / 2A
	Power Consumption	5W
	Working Environment	-10 °C ~ 55 °C
	Humidity	≤80%
	Product size	250x170x96.7 mm
Weight	0.61 Kg	

Dimension Unit : mm



### ORDERING INFORMATION

Part Number	Description	Standard Quantity
ENJ-P0502M	Norden PTZ Keyboard Controller with 3.4 inch LCD screen for Live View and ONVIF Support	1

★Product specification and availability are subject to change without notice.

# NETWORK PTZ KEYBOARD CONTROL



**ENJ-P0502M**

## PACKING INFORMATION

Part Number	Packing Mode	Gross weight(Kg)	Dimension(mm)
ENJ-P0502M	Carton Box	-	-

★Product specification and availability are subject to change without notice.