

CATEGORY 6 UTP RJ45 CONNECTOR

Category 6 Connectors exceed Category 6 long lasting high-performance and full support of all present and emerging applications, including 1000BASE-T (Gigabit-Ethernet). High quality overall shield provides excellent EMC (Electro Magnetic Compatibility), minimizing radiation and maximizing noise immunity, ensures long term resistance to corrosion from humidity, extreme temperatures, and airborne contaminants. These are mainly used for patch-cord termination.



COMPLIANCE

IEEE 802.af, IEEE 802.3at for PoE applications
ANSI/TIA-568.2-D and ISO/IEC-11801 (2nd Edition),
EN 50173-2 Category 6 Standards, IEC 60603-7-4

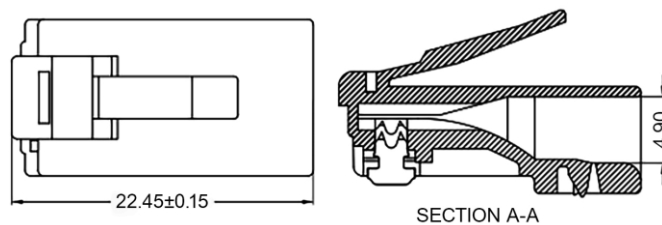
DESIGN & MATERIALS

Contact Surface Material	PC
Contact Blade	Brass
Gold Plating	50 μ
Wire Gauge	Diameter of aperture 1.1mm
Colour	Transparent

MECHANICAL & ELECTRICAL SPECIFICATIONS

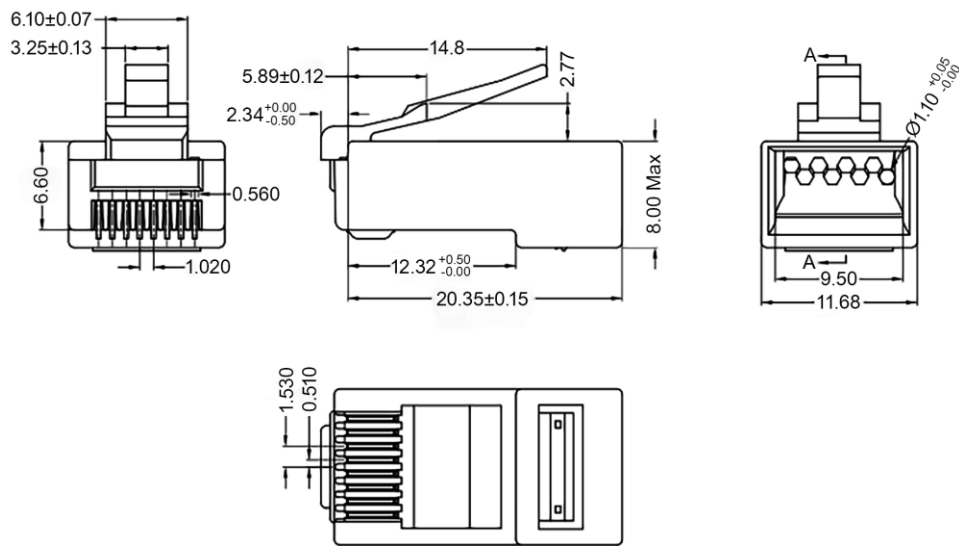
Durability	750 cycles Min.
Insertion Force & Withdrawal Force	30N Max.
Dielectric Voltage	1000V AC/minute
Insulation Resistance	500M Ω Min, 100V DC/min
Contact Resistance	20m Ω Max.
Operating Temperature	- 40°C ~ +85°C
Rated Current	1.5A@25°C, 125V AC

DRAWING



CATEGORY 6 UTP RJ45 CONNECTOR

DRAWING



ORDERING INFORMATION

Part Number	Description
E128-31X	Category 6 UTP RJ45 Connector