

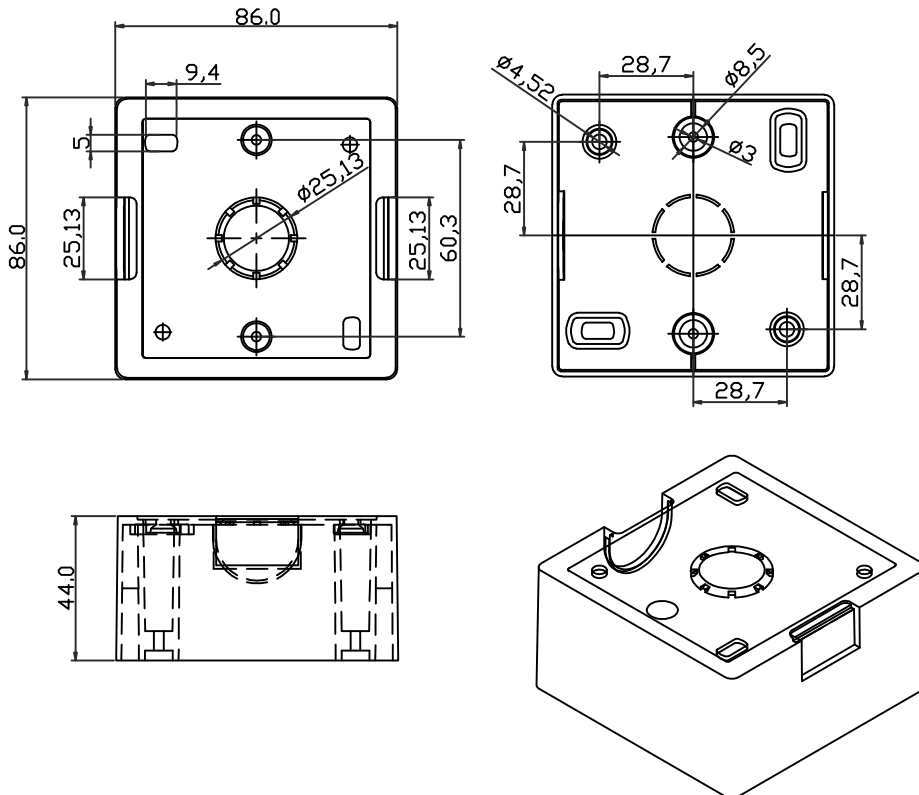
# BACK BOX FOR FACEPLATE

This back box is used for 86x86mm wall mount faceplate.



Material	ABS Plastic
Colour	White
Storage Temperature	-40°C to +70°C
Operation Temperature	-10°C to +60°C

## DRAWING



## ORDERING INFORMATION

Part Number	Description	Size (mm)
12B-E1X	Back Box for Face Plate.	86x86x50