

IP DUAL SENSOR THERMAL PTZ CAMERA



ENC-HHP7Z-300R-77

FEATURES

640x512 VOx Uncooled Focal Plane Detector

Sensitivity $\leq 40\text{mK}$

25 mm Motorized Focus Thermal Lens

Areas / Spot / Line Temperature Measurement Rule Support

Integrated Radar-PTZ Linkage

4G Supported

PoE++, IP67



SPECIFICATION

MODEL	Model No.	ENC-HHP7Z-300R-77
	Type	IP DUAL SENSOR THERMAL PTZ CAMERA
THERMAL CAMERA	Detector Type	Uncooled VOx Focal Plane Arrays
	Effective Pixels	640x512 and Image can be scaled up to 1920x1080
	Pixel Size	12um
	Thermal Sensitivity (NETD)	$\leq 40\text{ mK}$
	Spectral Range	8 ~ 14um
	Image Settings	Brightness, Sharpness, Contrast, 2D/3D DNR, Mirror / Flip, FFC
	Color Palettes	White & Black Hot, Ironbow, Rainbow etc. up to 17 modes
THERMAL LENS	Iris	Auto Fixed IRIS
	Lens	Fixed
	Focus Control	Motorized Focus
	Focal Length	25 mm
	F No	F1.0
	Angle of View	17.0° (H), 14.0° (V)
	Detection	Human (1.8mx0.5m) - 1042 m, Vehicle (4.0m x1.5m) - 3194 m
	Recognition	Human (1.8mx0.5m) - 260 m, Vehicle (4.0mx1.5m) - 799 m
	Identification	Human (1.8mx0.5m) - 130 m Vehicle (4.0mx1.5m) - 399 m
	Fire Detection	Fire (0.2mx0.2m) - 1042 m, Fire (1.0mx1.0m) - 208 m

★Product specification and availability are subject to change without notice.

IP DUAL SENSOR THERMAL PTZ CAMERA



ENC-HHP7Z-300R-77

MODEL	Model No.	ENC-HHP7Z-300R-77
	Type	IP DUAL SENSOR THERMAL PTZ CAMERA
VISIBLE CAMERA	Image Sensor	1/1.8" Sony CMOS
	Max Resolution	2688 x 1520
	Focal Length	6.27 ~ 251 mm
	Focus Control	Auto / Manual
	Angle of View (H)	60.7° ~ 2.3°
	Angle of View (V)	36.8° ~ 1.3°
	Angle of View (D)	70.9° ~ 2.6°
	Optical Zoom	40x
	Digital Zoom	16x
	Max Aperture	F1.5
	Electronic Shutter	1s ~ 1/100,000s, Auto / Manual
	Min. illumination	Color: 0.001 lux @ F1.5, B/W: 0.0001 lux, 0 lux with IR
	AGC	Auto / Manual
	Defog	Smart Defog
	S/N Ratio	≥55 dB
WDR	120 dB	
Smart IR	Up to 300 m	
Detection	95.0 ~ 3515.0 m	
Observation	38.0 ~ 1406.0 m	
Recognition	19.0 ~ 703.0 m	
Identification	9.5 ~ 351.5 m	
VIDEO	Video Compression	Enhanced (H.265, H.264), H.265, H.264, MJPEG
	Frame Rate	Main Stream: Thermal: (1920×1080, 1280×1024, 1280×720, 640×512) @25fps; Visible: (2688×1520, 2560×1440, 2304×1296, 1920×1080, 1280×720) @25/30fps Sub Stream: Thermal: (704×576, 640×512, 640×480, 352×288) @25/30fps; Visible: (704×576, 352×288) @25/30fps
	Stream Settings	i-Frame, PAL/NTSC, Frame Rate
	EIS	Supported
	Video Bit Rate	Thermal: 100 Kbps ~ 12 Mbps Visible: 100 Kbps ~ 16 Mbps
	Bitrate Type	CBR, VBR
	Image Settings	Brightness, Contrast, Saturation, Sharpness, Day/Night (Color, Mono, Auto), Flip/Mirror/Rotation, Multiple Scene & Profile
	White Balance	Auto, Day/Night, Tungsten, Fluorescent, Shadow, Manual
	HLC	Supported
	BLC	Supported
	OSD	Up to 8 regions
	OSD Type	Title, Week, Date, Time, Text with different colors and adaptable sizes (Small / Medium / Big), Image overlay
ROI	Up to 8 regions	
Privacy Masking	Up to 40 regions (each scene up to 8)	
AUDIO	Audio Compression	G.711A, G.711U, RAW_PCM
	Audio Bitrate	64kbps, 128kbps
	Audio I/O	1/1
SMART	Behaviour Detection	Thermal/Visible: Intrusion (Perimeter), Crossline (Tripwire), Double Crossline (Double Tripwire)
	Intelligent Identification	Thermal/Visible: Loitering Thermal: Region Entry / Exit Detection, Flame Point Detection Visible: Smoke Detection, Flame Detection
	Statistical Analysis	Thermal/Visible: People Counting, Wrong Way Detection, Human and Vehicle Detection, Temperature Detection
	Alarm Management	Motion Detection, Disk Full Alarm, Temperature Alarm, Input / Output Alarm, IVS Alarm
	Alarm Notification	E-mail (Notification and Snapshot), HTTP (Alarm Icon), FTP (Snapshot and Recording), SD Card (Recording)
Auto Tracking	Supported	

★Product specification and availability are subject to change without notice.

IP DUAL SENSOR THERMAL PTZ CAMERA



ENC-HHP7Z-300R-77

MODEL	Model No.	ENC-HHP7Z-300R-77	
	Type	IP DUAL SENSOR THERMAL PTZ CAMERA	
TEMPERATURE	Detection Mode	Spot, Line, Area (Total 20 Rules - 1 Full Screen and 19 others)	
	Alarm	Over/Difference Alarm	
	Accuracy	±8°C	
	Response Time	≤ 30ms	
	Measurement range	-20°C ~ 150°C (-4°F to 302°F)	
INTERFACE	Protocols	TCP/IP, UDP, IPv4, IPv6, ICMP, HTTP, HTTPS, FTP, DHCP, DNS, DDNS, RTP/RTCP, RTSP, PPPoE, NTP, UPnP, SMTP (SSL/TLS), IGMP, 802.1x, QoS, Unicast, Multicast, SNMP, ARP	
	Security	AES 123/256 Video Encryption, IP Filter, User Authentication (Multiple Privilege Level), Digest Authentication, User Access Log	
	Compatibility	ONVIF (Profile S, G, T, M), CGI / SDK	
	Network	1x RJ45 10M/100M Self Adaptive Ethernet Port	
	Serial Interface	1xRS485	
	Edge Storage	Micro SD Card Slot, Up to 1TB	
	SIM Card Type	Micro SIM Card Slot	
	4G	Supported	
	Frequency	Europe, Southeast Asia, Africa, Middle East : LTE-FDD: B1/3/7/8/20/28A LTE-TDD: B38/40/41 WCDMA: B1/8 North America, Canada: LTE-FDD: B2/4/5/12/13/14/66/71 WCDMA: B2/4/5 Latin America, Australia, New Zealand : LTE-FDD: B1/2/3/4/5/7/8/28 LTE-TDD: B40 WCDMA: B1/2/4/5/8	
	Standard	Europe, Southeast Asia, Africa, Middle East : LTE-FDD/LTE-TDD/WCDMA North America, Canada : LTE-FDD/WCDMA Latin America, Australia, New Zealand : LTE-FDD/LTE-TDD/WCDMA	
	BNC	Supported	
	Alarm I/O	7/2	
	Heater	Supported	
	Fan	Supported	
	Max. User	32	
	Wiper	Supported	
	Client Application	EyeGuard	
	PAN AND TILT	Pan Range	0° ~ 360° (Endless)
		Pan Speed	Pan Manual Speed: 0.01° ~ 300°/s, Pan Preset Speed: 300°/s
		Tilt Range	-10° ~ +90° (Auto Flip)
Tilt Speed		Tilt Manual Speed: 0.01° ~ 240° /s, Tilt Preset Speed: 240°/s	
Preset Accuracy		± 0.2°	
Number of Presets		400	
Power Off Memory		Supported	
3D Position		Supported	
PTZ Mode	6 Track 12 Scan, 12 Patrol (32 Preset per Patrol)		
Speed Setup	Auto/Manual (0-8)		

★Product specification and availability are subject to change without notice.

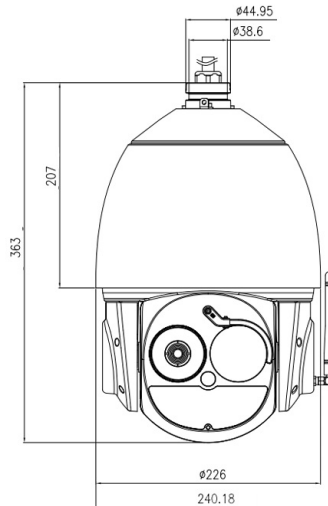
IP DUAL SENSOR THERMAL PTZ CAMERA



ENC-HHP7Z-300R-77

MODEL		ENC-HHP7Z-300R-77
	Model No.	ENC-HHP7Z-300R-77
	Type	IP DUAL SENSOR THERMAL PTZ CAMERA
GENERAL	Power Supply	36V DC (Default)/ AC 24V, PoE++(IEEE 802.3bt)
	Max. Power consumption	≤45 W
	Working Temperature	-40 °C ~ 70 °C
	Working Humidity	≤95% RH
	Casing	Metal
	Ingress Protection	IP67
	Vandal Resistant	IK10 (Housing)
	Surge Protection	TVS6000V
	Reset Button	Supported
	Dimensions	φ240.18×363 mm
	Weight	6 Kg

Dimension Unit : mm



ORDERING INFORMATION

Part Number	Description	Standard Quantity
ENC-HHP7Z-300R-77	4MP IP Dual Sensor Temperature Detection Thermal PTZ Camera with Visible Lens of 40X Optical Zoom and Thermal Imaging Camera with 640*512 Thermal Resolution, 25mm Motorized Focus Lens, Radar PTZ linkage, 4G, 300m IR , PoE++, Smart wiper and SD Card Slot Support	1
ENA-RC0180	Norden Radar Calibrator with Vehicle Detection of upto 180m	1
ENB-BCPW67	Wall Mount Bracket for Norden PTZ Camera (Included in Device Package)	1
ENB-BCPJ66	Junction Box for Norden PTZ Camera	1
ENB-BCPH66	Corner Mount Bracket for Norden PTZ Camera	1
ENB-BCPP67	Pendant Mount Bracket for PTZ Camera	1
ENB-BCPV66	Pole Mount Bracket for Norden PTZ Camera	1

★Product specification and availability are subject to change without notice.

IP DUAL SENSOR THERMAL PTZ CAMERA



ENC-HHP7Z-300R-77

PACKING INFORMATION

Part Number	Packing Mode	Gross weight(Kg)	Dimension(mm)
ENC-HHP7Z-300R-77	Carton Box	-	-

★Product specification and availability are subject to change without notice.