

# BLIND SPOT DETECTION CAMERA



**ENC-ABS5F-10R-00**

## FEATURES

Blind Spot Detection Camera
2MP Resolution
3.6mm Fixed Lens
Smart IR up to 10 m



## SPECIFICATION

MODEL	Model No.	ENC-ABS5F-10R-00
	Type	BLIND SPOT DETECTION CAMERA
CAMERA	Image Sensor	1/4" CMOS Sensor
	Image Type	Color
	Lens	3.6 mm
	Max Resolution	1920x1080
	Signal Type	PAL
	FPS	25fps
	OSD Type	Title, Week, Date, Time, Speed
	Intelligent Identification	Pedestrians, Vehicle Closer Approaches
	Smart IR	Up to 10 m
GENERAL	Power	12V DC
	Max. Power Consumption	≤1.2 W
	Working Temperature	-20 °C ~ 70 °C
	Connector Type	4 Pin M12
	Female Port	Pin 1: DC+ Red Cable Pin 2: GND Knit Cable Pin 3: Audio Green cable Pin 4: Video Yellow cable
	Cable Length	570mm
	Ingress Protection	IP67

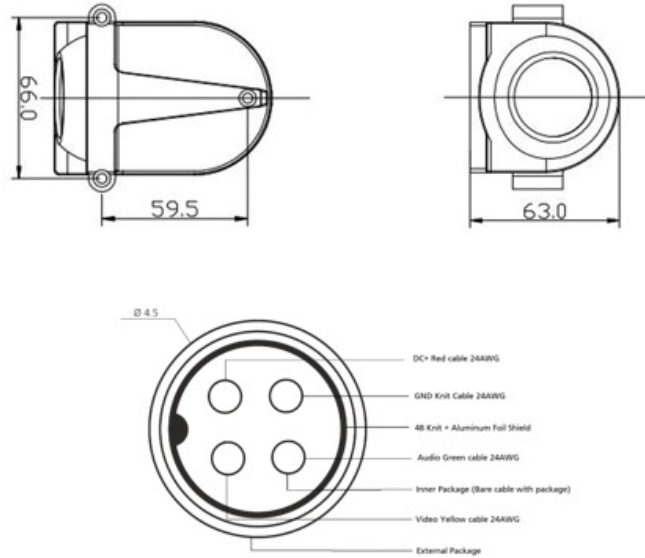
★Product specification and availability are subject to change without notice.

# BLIND SPOT DETECTION CAMERA



**ENC-ABS5F-10R-00**

Dimension Unit : mm



## ORDERING INFORMATION

Part Number	Description	Standard Quantity
ENC-ABS5F-10R-00 (Right)	2MP AHD Right Side Blind Spot Detection Camera	1
ENC-ABS5F-10R-00 (Left)	2MP AHD Left Side Blind Spot Detection Camera	1

## PACKING INFORMATION

Part Number	Packing Mode	Gross weight(Kg)	Dimension(mm)
ENC-ABS5F-10R-00	Carton Box	-	-