

CATEGORY 6/6A FTP/STP PATCH PANEL & KEYSTONE JACK E-SERIES

The Norden Economic Series Category 6/6A FTP/STP Patch Panel is a high-performance solution designed to support seamless network connectivity. This patch panel is compatible with toolless 180-degree Keystone Jacks, offering flexibility in installation and configuration. It provides a secure, reliable connection for Cat 6/6A cabling, ensuring excellent data transmission speeds and reduced interference. Ideal for use in a wide range of commercial and industrial applications, this patch panel is engineered for durability, ease of use, and efficient cable management.



COMPLIANCE

Patch Panel: IEEE 802.af, IEEE 802.3at for PoE applications.
ISO/IEC 11801 Class E, TIA/EIA-568D

Keystone Jack: IEEE 802.af, IEEE 802.3at for PoE applications.
ANSI/TIA-568-C.2, ISO/IEC11801:2002
EN50173-2 Category 6 & 6A standards

DESIGN & MATERIALS

PATCH PANEL

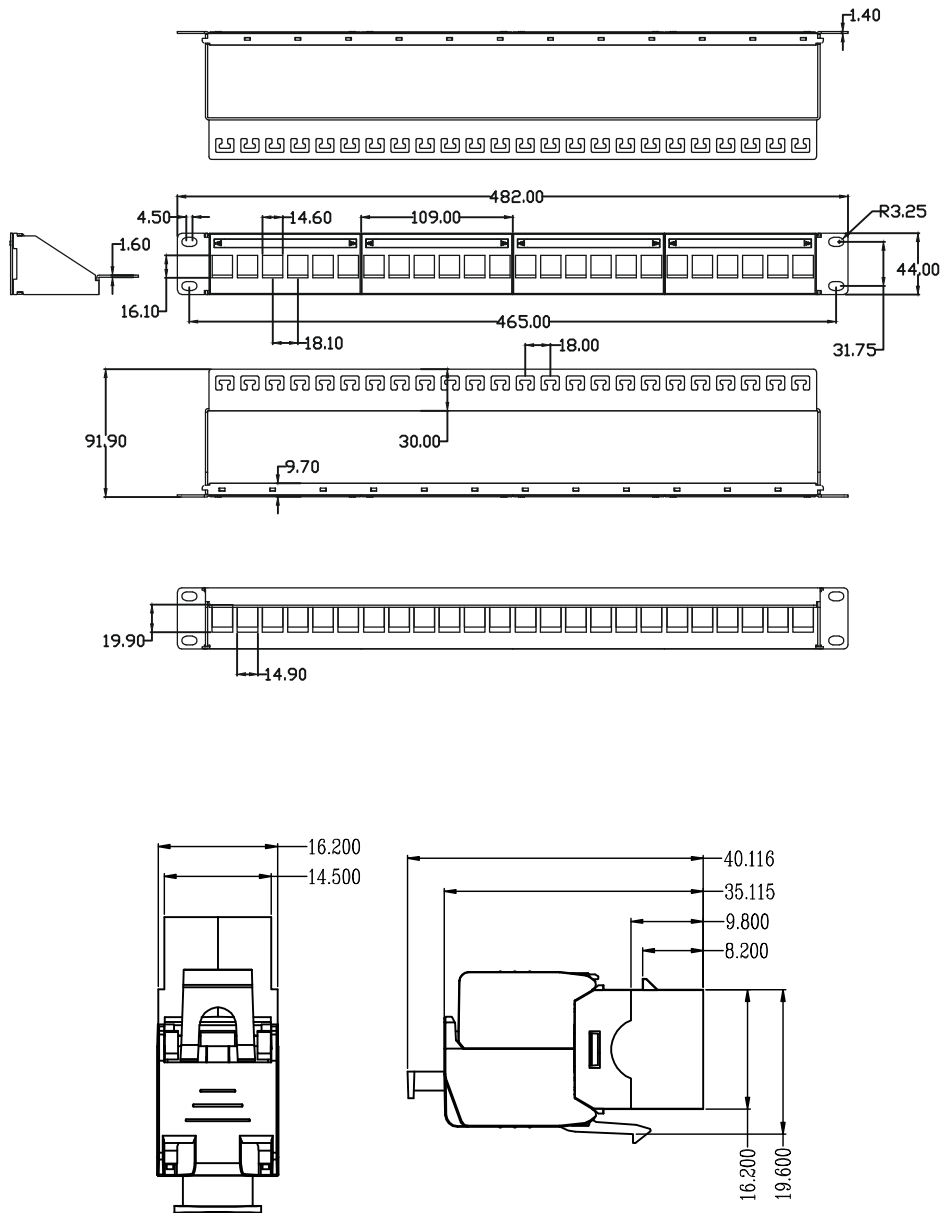
Panel Type	Flat
Panel Style	Blank
Mounting Style	Toolless
Panel Width	482
Panel Height	44.00
Panel Depth	91.9
Outlets	24 Port
Material	Housing: ABS 94V-0 IDC: PC UL94V-0 PCB: FR-4 1.60 mm (0.06") thick, 2 layers Contacts: 0.35 mm (0.014") phosphor bronze with 1.27-micron (50 microinches) gold plating on contact area
Metal Housing	1.50 mm thick metal
Operating Temperature	-40 °C to +70 °C

KEYSTONE JACK

Angle	180 Degree
Operating Temperature	-10 °C to +60 °C
Humidity	10-90%
Housing Material	Zinc Alloy
IDC Housing	PC(UL94V-0); PBT(UL94V-0)
IDC Wire Gauge	24-26 AWG
Colour Coding	As Per 568 A/B Standard
Spring Wire	T = 0.35mm phosphor bronze alloy selective gold 0.45 dia phosphor bronze gold plating over nickel
IDC	Phosphor Bronze Alloy, Nickel plating
Shielding	T = 0.25mm copper alloy with tin plated gold

CATEGORY 6/6A FTP/STP PATCH PANEL & KEYSTONE JACK E-SERIES

DRAWING



ELECTRICAL & MECHANICAL DATA

PATCH PANEL

Current Rating	1.5 A max
Voltage rating	150 V
Contact Resistance	20 mΩ
Insulation Resistance	500 MΩ Min.
Dielectric Withstand Voltage	1000 V AC RMS, 60Hz/1min

CATEGORY 6/6A FTP/STP PATCH PANEL & KEYSTONE JACK E-SERIES

ELECTRICAL & MECHANICAL DATA

KEYSTONE JACK

Current Rating	1.5 A max
Voltage rating	125 VAC
Contact Resistance	20 mΩ
Insulation Resistance	500 MΩ Min.
Withstand Voltage	DC 1000V RMS 50-60Hz Min.
Durability	Jack : 700 mating cycles ; IDC contact : 100 stripper cycles
Insertion Force	2 Pins : 3.5N, 4 Pins : 5N, 6 Pins : 7.5N, 8 Pins : 9 N
Retention Strength	70N between jack and plug;60N between wire and IDC

ORDERING INFORMATION

Part Number	Description
121-EC2G18024B	24-Port FTP/STP Patch Panel Blank E-Series

ORDERING GUIDE FOR KEYSTONE JACK

KJ Series	Category	Type	Style	Angle	Color
122	E : Cat 6 E Series A : Cat 6A E Series	2 : FTP/STP	T : Toolless	180 : 180 Degree 181 : 180 Degree with Shutter	X

X: BK(Black), BL(Blue), GN(Green), GY(Gray), RD(Red), WH(White), YL(Yellow)