

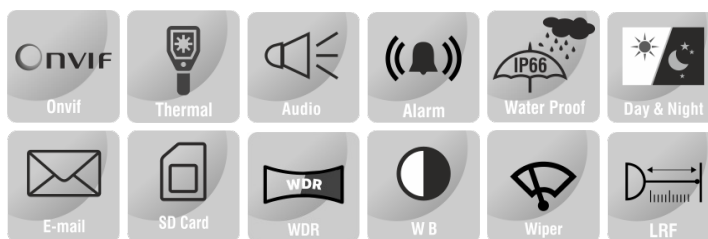
IP DUAL SENSOR THERMAL PTZ CAMERA



ENC-HPT7Z-56X-07

FEATURES

| |
|---|
| 640x512 Uncooled Infrared Detector |
| Sensitivity ≤ 40 mK |
| 50 / 100 / 150 mm (Fixed Thermal Lens) / 30 ~ 150 mm (Motorized Thermal Lens) |
| Laser IR up to 800 m / 1500 m (Optional) |
| Laser Range Finder up to 2000 m (Optional) |
| Electronic Image Stabilization |
| IP66 |



SPECIFICATION

| | | |
|----------------|----------------------------|--|
| MODEL | Model No. | ENC-HPT7Z-56X-07 |
| | Type | IP DUAL SENSOR THERMAL PTZ CAMERA |
| THERMAL CAMERA | Detector Type | Uncooled VOx Focal Plane Arrays |
| | Effective Pixels | 640x512 and Image can be scaled up to 1280x1024 |
| | Pixel Size | 12 um |
| | Thermal Sensitivity (NETD) | ≤ 40 mK |
| | Spectral Range | 8 ~ 14 um |
| | Spatial Resolution | 0.24 mrad / 0.120 mrad / 0.08 mrad / 0.4 ~ 0.08 mrad |
| | Image Settings | Brightness, Sharpness, Contrast, 2D/3D DNR, Mirror / Flip, FFC |
| | Color Palettes | White & Black Hot, Ironbow, Rainbow etc up to 20 modes |
| THERMAL LENS | Lens | Fixed / Motorized |
| | Focus Control | Auto / Manual |
| | Focal Length | 50 / 100 / 150 mm (Fixed Thermal Lens) / 30 ~ 150 mm (Motorized Thermal Lens) |
| | F No | F1.0 / F1.2 / F1.2 / F0.85 ~ F1.2 |
| | Digital Zoom | 8x |
| | Angle of View (H) | 8.8° / 4.4° / 2.9° / 14.6° ~ 2.9° |
| | Angle of View (V) | 7.0° / 3.5° / 2.3° / 11.7° ~ 2.3° |
| | Angle of View (D) | 11.2° / 5.6° / 3.7° / 18.7° ~ 3.7° |
| | EIS | Supported |
| | Detection | 50 mm: Human (1.8m×0.5 m) - 2083 m, Vehicle (1.4×4.0 m) - 6389 m 100 mm: Human (1.8m×0.5 m) - 4200 m, Vehicle (1.4×4.0 m) - 12800 m 150 mm: Human (1.8m×0.5 m) - 6300 m, Vehicle (1.4m×4.0m) - 19200 m |
| | Recognition | 50 mm: Human (1.8m×0.5m) - 521 m, Vehicle (1.4m×4.0m) - 1597 m 100 mm: Human (1.8m×0.5m) - 1000 m, Vehicle (1.4m×4.0m) - 3200 m 150 mm: Human (1.8m×0.5m) - 1600 m, Vehicle (1.4m×4.0m) - 4800 m |
| | Identification | 50 mm: Human (1.8m×0.5 m) - 260 m, Vehicle (1.4m×4.0 m) - 799 m 100 mm: Human (1.8m×0.5 m) - 500 m, Vehicle (1.4m×4.0 m) - 1600 m 150 mm: Human (1.8m×0.5 m) - 800 m, Vehicle (1.4m×4.0m) - 2400 m |
| | Fire Detection | 50 mm: Fire size (2.0m×2.0m) - 5400 m, Fire (1.0m×1.0m) - 2700 m 100 mm: Fire size (2.0m×2.0m) - 10000 m, Fire (1.0m×1.0m) - 4000 m 150 mm: Fire size (2.0m×2.0m) - 16000 m, Fire (1.0m×1.0m) - 8000 m |

★Product specification and availability are subject to change without notice.

IP DUAL SENSOR THERMAL PTZ CAMERA



ENC-HPT7Z-56X-07

| MODEL | Model No. | ENC-HPT7Z-56X-07 |
|----------------------|--|--|
| | Type | IP DUAL SENSOR THERMAL PTZ CAMERA |
| VISIBLE CAMERA | Image Sensor | 1/1.8" CMOS Progressive 4.0 MegaPixel |
| | Day / Night | Auto / Manual |
| | Max Resolution | 2688x1520 |
| | Focal Length | 6 ~ 336 mm |
| | Focus Control | Auto / Manual |
| | Angle of View (H) | 66.0° ~ 1.3° |
| | Angle of View (V) | 40.3° ~ 0.8° |
| | Angle of View (D) | 77.3° ~ 1.5° |
| | Optical Zoom | 56x |
| | Digital Zoom | 16x |
| | Aperture | F1.5 |
| | Electronic Shutter | 1/3 ~ 1/30000s, Auto / Manual |
| | Min. Illumination | Color: 0.005Lux @ F1.5, B/W: 0 Lux with IR on |
| | S/N Ratio | ≥55 dB |
| | Defog | Optical Defog |
| | Laser IR | Up to 800 m @ 50 mm / 1500 m @ 100 / 150 / 30~150 mm (Optional) |
| | Laser Spectral Range | 808 nm |
| Laser Range Finder | Up to 2000 m @ 100 / 150 / 30~150 mm (Optional) | |
| Laser Spectral Range | 905 nm | |
| WDR | 120 dB | |
| Detection | 6 ~ 336 mm: Human (1.8m×0.5m) - 62 ~ 3476 m, Vehicle (1.4m×4.0m) - 190 ~ 10659 m | |
| Observation | 6 ~ 336 mm: Human (1.8m×0.5m) - 25 ~ 1379 m, Vehicle (1.4m×4.0m) - 76 ~ 4230 m | |
| Recognition | 6 ~ 336 mm: Human (1.8m×0.5m) - 12 ~ 695 m, Vehicle (1.4m×4.0m) - 38 ~ 2132 m | |
| Identification | 6 ~ 336 mm: Human (1.8m×0.5m) - 6 ~ 348 m, Vehicle (1.4m×4.0m) - 19 ~ 1066 m | |
| VIDEO | Video Compression | H.265, H.264, MJPEG |
| | Frame Rate | Main Stream: Thermal: (1280×1024, 1024×768) @25fps; Visible: (2688×1520, 2560×1440, 1280×720)@30fps, (2688×1520, 2560×1440, 1920×1080) @25fps Sub Stream: Thermal: (640×512, 320×256) @25fps; Visible: (1920×1080, 1280×720, 704×480, 352×240) @30fps, (1920×1080, 1280×720, 704×576, 352×288) @25fps |
| | Stream Settings | i-Frame, PAL/NTSC, Frame Rate |
| | EIS | Supported |
| | Video Bit Rate | 128kbps ~ 16 Mbps |
| | Bit Rate Type | CBR, VBR |
| | Image Settings | Brightness, Contrast, Saturation, Hue, Sharpness, Rotation/Mirror, Gain, Exposure, Day/Night |
| | White Balance | Auto, Day/Night, Tungsten, Fluorescent, Shadow, Manual |
| | HLC | Supported |
| | BLC | Supported |
| | OSD | Up to 9 regions |
| | OSD Type | Channel Title, Date, Time, Geography, Picture Overlay |
| | ROI | Up to 1 Region |
| Privacy Masking | Up to 24 Region | |
| AUDIO | Audio Compression | G.711A, G.711U, PCM_AAC |
| | Audio Bitrate | 16 Kbps |
| | Audio I/O | 1/1 |
| SMART | Behaviour Detection | Thermal/Visible: Intrusion (Perimeter), Crossline (Tripwire), Double Crossline (Double Tripwire) |
| | Intelligent Identification | Thermal/Visible: Loitering, Abandoned Object (Object Left), Missing Object (Object Lost), Region Entry / Exit Detection, Flame Point Detection, Smoke Detection, Flame Detection |
| | Statistical Analysis | Thermal/Visible: Human & Vehicle Classification |
| | Alarm Management | Motion Detection, Tampering Alarm, Disk Full Alarm, Temperature Alarm, Input / Output Alarm, Network Alarm |
| | Alarm Notification | E-mail (Notification & Snapshot), HTTP (Alarm Icon), FTP (Snapshot & Recording), SD Card (Recording) |
| Auto Tracking | Supported | |

★Product specification and availability are subject to change without notice.

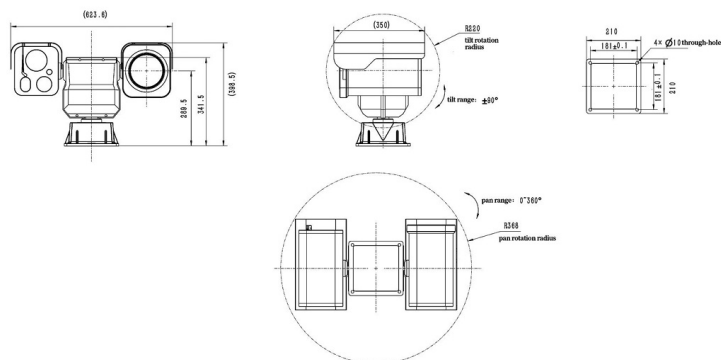
IP DUAL SENSOR THERMAL PTZ CAMERA



ENC-HPT7Z-56X-07

| MODEL | Model No. | ENC-HPT7Z-56X-07 |
|--------------|------------------------|--|
| | Type | IP DUAL SENSOR THERMAL PTZ CAMERA |
| INTERFACE | Protocols | TCP/IP, IPv4, IPv6, PPPoE, HTTP, HTTPS, FTP, SMTP, SNMP, DNS, DDNS, DHCP, NTP, RTSP, RTCP, RTP, UDP, IGMP, ICMP, QoS |
| | Security | IP Filter, User Authentication, HTTPS Authentication, User Access Log |
| | Compatibility | ONVIF (Profile S), SDK/CGI |
| | Network | 1x RJ45 10M/100M Self Adaptive Ethernet Port |
| | Serial Interface | 1xRS485 |
| | Edge Storage | Micro SD Card Slot, up to 512 GB |
| | Alarm I/O | 1/1 |
| | Heater | Supported |
| | Fan | Supported |
| | Wiper | Supported |
| | Max.User | 20 |
| PAN AND TILT | Pan Range | 0° ~ 360° (Endless) |
| | Pan Speed | Pan Manual Speed: 0.1°~ 100°/s, Pan Preset Speed: 100°/s |
| | Tilt Range | -90° ~ +90° |
| | Tilt Speed | Tilt Manual Speed: 0.1° ~ 60°/s, Tilt Preset Speed: 60°/s |
| | Preset Accuracy | ± 0.1° |
| | Number of Preset | 256 |
| | 3D Position | Supported |
| | Power off Memory | Supported |
| | PTZ Mode | 5 Scan, 5 Track, 8 Patrols |
| GENERAL | Power Supply | 48V DC |
| | Max. Power Consumption | ≤300 W |
| | Working Temperature | -40 °C ~ 70 °C |
| | Working Humidity | ≤90% RH |
| | Ingress Protection | IP66 |
| | Vandal Resistant | IK10 (Housing) |
| | Surge Protection | TVS6000V |
| | Dimensions | 623.6×398.5×350 mm |
| | Weight | 30 Kg |

Dimension Unit : mm



★Product specification and availability are subject to change without notice.

IP DUAL SENSOR THERMAL PTZ CAMERA



ENC-HPT7Z-56X-07

ORDERING INFORMATION

| Part Number | Description | Standard Quantity |
|---|---|-------------------|
| ENC-HPT7Z-56X-07 (with 50 mm Thermal Lens, 800 m Laser IR) | 4MP IP Dual Sensor Temperature Detection Thermal PTZ Camera with Visible Lens of 56X Optical Zoom and Thermal Imaging Camera with 640*512 Thermal Resolution and SD Card Slot Support | 1 |
| ENC-HPT7Z-56X-07 (with 100 mm Thermal Lens) | 4MP IP Dual Sensor Temperature Detection Thermal PTZ Camera with Visible Lens of 56X Optical Zoom and Thermal Imaging Camera with 640*512 Thermal Resolution and SD Card Slot Support | 1 |
| ENC-HPT7Z-56X-07 (with 100 mm Thermal Lens, 1500 m Laser IR) | 4MP IP Dual Sensor Temperature Detection Thermal PTZ Camera with Visible Lens of 56X Optical Zoom and Thermal Imaging Camera with 640*512 Thermal Resolution and SD Card Slot Support | 1 |
| ENC-HPT7Z-56X-07 (with 100 mm Thermal Lens, 2000 m LRF) | 4MP IP Dual Sensor Temperature Detection Thermal PTZ Camera with Visible Lens of 56X Optical Zoom and Thermal Imaging Camera with 640*512 Thermal Resolution and SD Card Slot Support | 1 |
| ENC-HPT7Z-56X-07 (with 100 mm Thermal Lens, 1500 m Laser IR, 2000 m LRF) | 4MP IP Dual Sensor Temperature Detection Thermal PTZ Camera with Visible Lens of 56X Optical Zoom and Thermal Imaging Camera with 640*512 Thermal Resolution and SD Card Slot Support | 1 |
| ENC-HPT7Z-56X-07 (with 150 mm Thermal Lens) | 4MP IP Dual Sensor Temperature Detection Thermal PTZ Camera with Visible Lens of 56X Optical Zoom and Thermal Imaging Camera with 640*512 Thermal Resolution and SD Card Slot Support | 1 |
| ENC-HPT7Z-56X-07 (with 150 mm Thermal Lens, 1500 m Laser IR) | 4MP IP Dual Sensor Temperature Detection Thermal PTZ Camera with Visible Lens of 56X Optical Zoom and Thermal Imaging Camera with 640*512 Thermal Resolution and SD Card Slot Support | 1 |
| ENC-HPT7Z-56X-07 (with 150 mm Thermal Lens, 2000 m LRF) | 4MP IP Dual Sensor Temperature Detection Thermal PTZ Camera with Visible Lens of 56X Optical Zoom and Thermal Imaging Camera with 640*512 Thermal Resolution and SD Card Slot Support | 1 |
| ENC-HPT7Z-56X-07 (with 150 mm Thermal Lens, 1500 m Laser IR, 2000 m LRF) | 4MP IP Dual Sensor Temperature Detection Thermal PTZ Camera with Visible Lens of 56X Optical Zoom and Thermal Imaging Camera with 640*512 Thermal Resolution and SD Card Slot Support | 1 |
| ENC-HPT7Z-56X-07 (with 30 ~ 150 mm Thermal Lens) | 4MP IP Dual Sensor Temperature Detection Thermal PTZ Camera with Visible Lens of 56X Optical Zoom and Thermal Imaging Camera with 640*512 Thermal Resolution and SD Card Slot Support | 1 |
| ENC-HPT7Z-56X-07 (with 30 ~ 150 mm Thermal Lens, 1500 m Laser IR) | 4MP IP Dual Sensor Temperature Detection Thermal PTZ Camera with Visible Lens of 56X Optical Zoom and Thermal Imaging Camera with 640*512 Thermal Resolution and SD Card Slot Support | 1 |
| ENC-HPT7Z-56X-07 (with 30 ~ 150 mm Thermal Lens, 2000 m LRF) | 4MP IP Dual Sensor Temperature Detection Thermal PTZ Camera with Visible Lens of 56X Optical Zoom and Thermal Imaging Camera with 640*512 Thermal Resolution and SD Card Slot Support | 1 |
| ENC-HPT7Z-56X-07 (with 30 ~ 150 mm Thermal Lens, 1500 m Laser IR, 2000 m LRF) | 4MP IP Dual Sensor Temperature Detection Thermal PTZ Camera with Visible Lens of 56X Optical Zoom and Thermal Imaging Camera with 640*512 Thermal Resolution and SD Card Slot Support | 1 |

★Product specification and availability are subject to change without notice.

IP DUAL SENSOR THERMAL PTZ CAMERA



ENC-HPT7Z-56X-07

PACKING INFORMATION

| Part Number | Packing Mode | Gross weight(Kg) | Dimension(mm) |
|------------------|--------------|------------------|---------------|
| ENC-HPT7Z-56X-07 | Carton Box | - | - |

★Product specification and availability are subject to change without notice.