

# WHITE LIGHT STROBE ILLUMINATOR



## ENI-ISA010-025W

### FEATURES

16 pcs LED

White Light

25 m Intelligent Strobe Support

IP67



### SPECIFICATION

MODEL	Model No.	ENI-ISA010-025W
	Type	WHITE LIGHT STROBE ILLUMINATOR
GENERAL	Beam Angle	10°
	Beam Distances	Intelligent Strobe 25 m
	Best Distance for LPR	16~25 m
	Trigger Method	Self Adaptation
	Synchronization Port	One Port Strobe Trigger Input
	Response Time	≤20μs
	Design Lifetime	≥50000 Hrs
	Color	White
	LED	16 pcs LED
	Wavelength	455 nm
	Serial Interface	1xRS485
	Power Supply	220V AC
	Power Consumption	≤30W
	Working Temperature	-40 °C ~ 70 °C
	Working Humidity	≤90%
	Ingress Protection	IP67
Surge Protection	Common Mode 4KV,Differential Mode 2KV	
Material	Aluminium Die-casting Housing	
Panel	Tempered Glass	
Dimensions	181x175x70 mm	
Net Weight	1.4 kg	
INSTALLATION	Power	The Power and LED Panel Wires Must be Oriented Downward to Prevent Water Intrusion.
	Earthing	Lighting Safety Precautions Must be Taken and Power Wires must be Grounded.
	Settings	Gently Modify the Bolt of Brightness, Sensor and Time.
	Installation	Professional Electricians or Quality Technicians Should Install and Adjust.
	Caution	Do Not Open the Case and Remove the Power Supply.

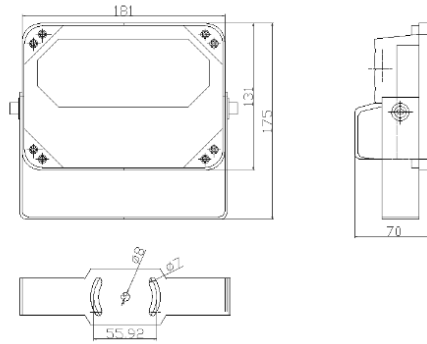
# WHITE LIGHT STROBE ILLUMINATOR



## ENI-ISA010-025W

MODEL	Model No.	ENI-ISA010-025W
	Type	WHITE LIGHT STROBE ILLUMINATOR

Dimension Unit : mm



### ORDERING INFORMATION

Part Number	Description	Standard Quantity
ENI-ISA010-025W	White Light Strobe illuminator with 16 Pieces High Power White Light LED, 10° Beam Angle, 25 m White Light and IP67 Support	1

### PACKING INFORMATION

Part Number	Packing Mode	Gross weight(Kg)	Dimension(mm)
ENI-ISA010-025W	Carton Box	-	-