

5MP MINI PTZ DOME CAMERA



ENC-HHP8Z-00R-66

FEATURES

15X Optical Zoom
16X Digital Zoom
ONVIF Profile (S, G, T, M)
Triple Stream
PoE, IP67



SPECIFICATION

MODEL	Model No.	ENC-HHP8Z-00R-66
	Type	5MP MINI PTZ DOME CAMERA
CAMERA	Image Sensor	1/2.8" CMOS Progressive 5.0 MegaPixel
	Day/Night	IR Cut Filter with Auto Switch
	Lens Type	Motorized
	Focal Length	5.3 ~ 79.5 mm
	Focus	Auto / Semi Auto / Manual
	Iris Type	DC Iris, Auto / Manual
	Angle of View (H)	58.2 ° ~ 4.8°
	Angle of View (V)	34.0 ° ~ 2.8°
	Angle of View (D)	67.4 ° ~ 5.0°
	Aperture Range	F1.6 ~ F2.8
	Optical Zoom	15X
	Digital Zoom	16X
	Zoom Speed	<2.5s
	Electronic Shutter	1s ~ 1/100,000s, Auto / Manual
	Min. Illumination	Color: 0.001 lux @ F1.6, B/W: 0.0001 lux @ F1.6, 0 lux with IR ON
	AGC	Auto / Manual
Digital Noise Reduction	2D/3D DNR	
S/N Ratio	≥55 dB	
Defog	Smart Defog	
WDR	120 dB	
Wavelength	850 nm	

★Product specification and availability are subject to change without notice.

5MP MINI PTZ DOME CAMERA



ENC-HHP8Z-00R-66

MODEL	Model No.	ENC-HHP8Z-00R-66
	Type	5MP MINI PTZ DOME CAMERA
DORI	Lens	5.3 ~ 75 mm
	Detection	104 ~ 1560 m
	Observation	42.4 ~ 624 m
	Recognition	20.8 ~ 312 m
	Identification	10.4 ~ 156 m
VIDEO	Max. Resolution	2592x1944
	Video Compression	Enhanced (H.265, H264), H.265, H.264, MJPEG
	Frame Rate	Main Stream: (2592x1944, 2592x1520, 1920x1080, 1280x720) @ 25/30fps Sub Stream: (704x576, 640x480, 352x288) @ 25/30fps Third Stream: (640x480, 352x288, 320x240) @ 25/30fps
	Stream Settings	i-Frame, PAL/NTSC, Frame Rate
	EIS	Supported
	Video Bit Rate	100 kbps ~ 12 Mbps
	Bitrate Type	CBR, VBR
	Image Settings	Brightness, Contrast, Saturation, Sharpness, Day/Night, Mirror/Flip
	White Balance	Auto, Day/Night, Tungsten, Fluorescent, Shadow, Manual
	HLC	Supported
	BLC	Supported
	OSD	Up to 8 regions
	OSD Type	Title, Week, Date, Time, Text with different colors and adaptable sizes , Image overlay
	ROI	Up to 8 regions
	Privacy Mask	Up to 40 regions (each scene up to 8)
AUDIO	Audio Compression	G.711U, G.711A, RAW_PCM
	Audio Bit Rate	64kbps, 128kps
SMART	Behavior Detection	Intrusion (Perimeter), Crossline (Tripwire), Double Crossline (Double Tripwire)
	Intelligent Identification	Loitering, Flame and Smoke Detection
	Statistical Analysis	Face Detection , People Counting, Human & Vehicle Detection, Wrong Way Detection, Illegal Parking
	Alarm Management	Motion Detection, Tampering (Masking), Network Alarm, Disk Alarm, Day Night Switch Alarm, Pre/Post Alarm Recording, Alarm Recording/Snapshot
	Alarm Notification	E-mail (Notification & Snapshot), HTTP (Alarm icon), FTP (Snapshot & Recording), SD Card (Recording)
Auto Tracking	Supported	
INTERFACE	Protocols	TCP/IP, UDP, IPv4, IPv6, ICMP, HTTP, HTTPS, FTP, DHCP, DNS, DDNS, RTP/RTSP/RTCP, PPPoE, NTP, UPnP, SMTP, IGMP, 802.1X, QoS, Unicast, Multicast, ARP, SNMP, SSL/TLS 1.2
	Security	AES 128/256 Video Encryption, IP Filter, User Authentication (Multiple Privilege Level), 802.1X Authentication (EAP-MD5), HTTPS Authentication, RTSP Authentication, Digest Authentication, User Access Log
	Compatibility	ONVIF Profile (S, G, T, M), SDK/CGI
	Network	1 x RJ45 10M/100M Self Adaptive Ethernet Port
	Edge Storage	Micro SD Card Slot, up to 512 GB
	ANR	Supported
	Cable Interface	Pig Tail
	Remote Connection	≤10
	Max User	32
	Web Language	15
Client Application	EyeGuard	
PAN AND TILT	Pan Range	0° ~ 360° (Endless)
	Pan Speed	Pan Manual Speed: 0.1°~200°/s, Pan Preset Speed: 200°/s
	Tilt Range	0° ~ +90° (Auto Flip)
	Tilt Speed	Tilt Manual Speed: 0.1° ~ 160°/s, Tilt Preset Speed: 160°/s
	Preset Accuracy	±0.2°
	Number of Presets	300
	Power off Recovery	Supported
	3D Position	Supported
	PTZ Status Display	Supported
PTZ Mode	6 Track, 12 Scan, 12 Patrol (Up to 32 Presets per Patrol)	

★Product specification and availability are subject to change without notice.

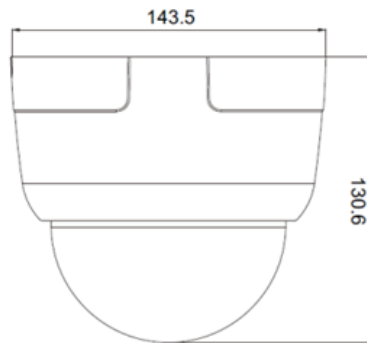
5MP MINI PTZ DOME CAMERA



ENC-HHP8Z-00R-66

MODEL	Model No.	ENC-HHP8Z-00R-66
	Type	5MP MINI PTZ DOME CAMERA
GENERAL	Power Supply	12V DC, PoE (IEEE 802.3af)
	Max, Power Consumption	≤12 W
	Working Temperature	-20 °C ~ 65 °C
	Working Humidity	≤95% RH (non-condensing)
	Casing	Metal
	Ingress Protection	IP67
	Surge Protection	TVS4000V
	Reset Button	Supported
	Dimensions	φ143.5x130.6 mm
	Net Weight	1.15 Kg

Dimension Unit : mm



ORDERING INFORMATION

Part Number	Description	Standard Quantity
ENC-HHP8Z-00R-66	5MP IP H.265 Mini PTZ Dome Camera with 15X Optical Zoom, PoE, SD Card Slot, WDR and Smart Analytics	1
ENB-BCIW67	Wall Mount Bracket for Norden Mini PTZ Camera	1
ENB-BCIP67	Pendant Mount Bracket for Norden Mini PTZ Camera	1
ENB-BCIH67	Corner Mount Bracket for Norden Mini PTZ Camera	1
ENB-BCIV67	Pole Mount Bracket for Norden Mini PTZ Camera	1

PACKING INFORMATION

Part Number	Packing Mode	Gross weight(Kg)	Dimension(mm)
ENC-HHP8Z-00R-66	Carton Box	-	-

★Product specification and availability are subject to change without notice.