

WALL MOUNT BRACKET FOR PTZ CAMERA



ENB-BFPW66

FEATURES

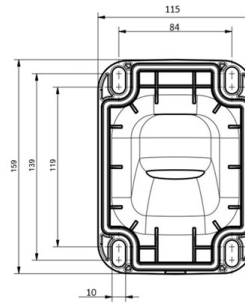
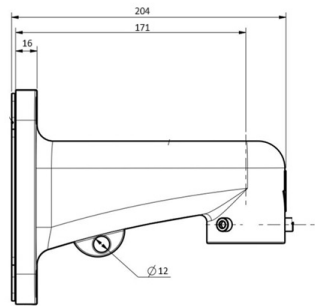
Aluminium Alloy
Max. Load Support up to 20 kg
Wall Mount Bracket for 4" PTZ Camera
IP66



SPECIFICATION

MODEL	Model No.	ENB-BFPW66
	Type	WALL MOUNT BRACKET FOR PTZ CAMERA
GENERAL	Construction	Aluminium Alloy
	Color	White
	Max. Weight Supported	20 Kg
	Dimensions	204x159x115 mm
	Weight	0.57 Kg

Dimension Unit : mm



ORDERING INFORMATION

Part Number	Description	Standard Quantity
ENB-BFPW66	Wall Mount Bracket for Norden 4" PTZ Camera (Included in device package)	1

PACKING INFORMATION

Part Number	Packing Mode	Gross weight(Kg)	Dimension(mm)
ENB-BFPW66	Carton Box	-	-