

NVS-11560060PS



60W PENDANT SPEAKER (WHITE)



PENDANT SPEAKER

DESCRIPTION

The NVS-11560060PS is a suspension-style spherical speaker renowned for its sleek design and straightforward construction. Its ABS shell offers excellent impact resistance and outstanding material stability. This high-quality speaker delivers exceptional sound performance, producing clear and well-balanced audio. It is ideal for use in a variety of settings, including airport lobbies, shopping centers, school classrooms, meeting rooms, restaurants, offices, and other public or commercial spaces.

FEATURES

- ◉ ABS Shell
- ◉ High Impact strength
- ◉ Clear and powerful sound
- ◉ Stylish and simple design

Specifications	
Model	NVS-11560060PS
Rated Power	60W
Input power(100V)	7.5W/15W/30W/60W
Input Power(70V)	3.8W/7.5W/15W/30W/60W
Rated Impedance(100V)	1.33kΩ/667Ω/333Ω/167Ω/8Ω
Rated Impedance(70V)	2.63kΩ/1.33kΩ/667Ω/333Ω/167Ω/8Ω
Sensitivity(1m/1W)	89±3dB
Max SPL	106±3dB
Frequency Response	90Hz - 20KHz
Driver Unit	6.5" x 1 + 0.5" x 1
Dispersion Angle at (1KHz/-6dB)	120°

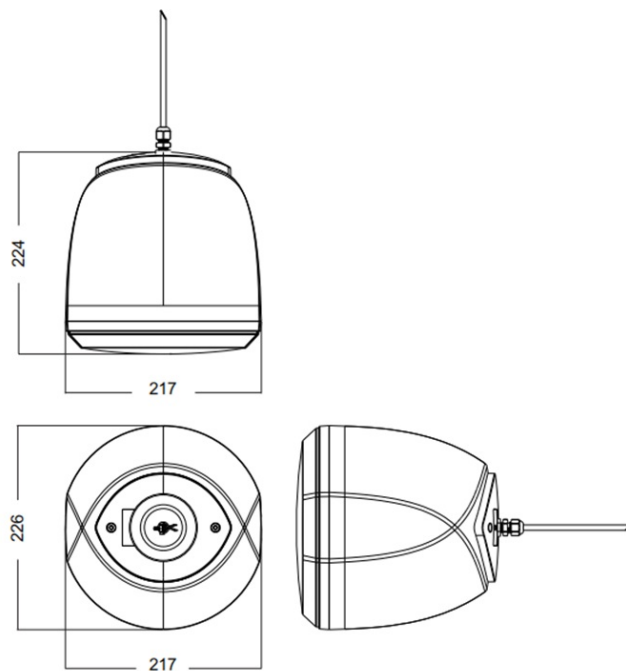
NVS-11560060PS



60W PENDANT SPEAKER (WHITE)

Connector Type	Two core sheathed wire
Mounting Hole Size	Mpa 8 Hook
Mounting Method	Ceiling-suspended installation
Operating Temperature	-25°C to ~+55°C
Material	ABS+ Aluminium Mesh
Weight	3.12Kg
Dimension	Φ226*224mm

DIMENSION



ORDERING INFORMATION

Part Number	Description	Standard Quantity
NVS-11560060PS	60W PENDANT SPEAKER (WHITE)	01

ACCESSORIES INFORMATION

Description	Standard Quantity
User Manual	01