

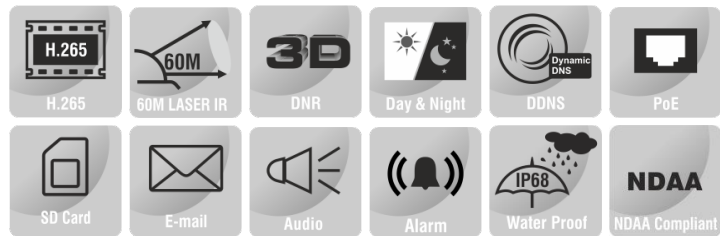
5MP EXPLOSION PROOF BULLET CAMERA



ENC-HBU8M-60R-25

FEATURES

4.0 ~ 12.8 mm Motorized Lens
Smart IR up to 60 m
ONVIF Profile (S, G, T, M)
Triple Stream
ATEX/ IECEx/ CCoE (PESO) Certified
Applicable for GAS Zone 1, Zone 2, Class IIA, IIB, IIC
Applicable for Temperature Classes T1-T6
Applicable for Dust Zone 21, 22
PoE+, IP68



SPECIFICATION

MODEL	Model No.	ENC-HBU8M-60R-25
	Type	5MP EXPLOSION PROOF BULLET CAMERA
CAMERA	Image Sensor	1/1.7" CMOS Progressive 5.0 MegaPixel
	Day / Night	IR Cut Filter with Auto Switch
	Lens Type	Motorized
	Focal Length	4.0 ~ 12.8 mm
	Focus	Auto / Manual
	Iris Type	P-Iris (Auto / Manual)
	Angle of View (H)	93.8° ~ 34.0°
	Angle of View (V)	70.1° ~ 25.8°
	Angle of View (D)	117.1° ~ 42.6°
	Angle Adjustment	Bracket; Pan: 0~360°, Tilt: 0~75°, Rotate: 0~360°
	Aperture Range	F1.5 ~ F3.3
	Electronic Shutter	1s ~ 1/100,000s, Auto / Manual
	Min. Illumination	Color: 0.001 lux @ F1.5, B/W: 0 lux with IR
	AGC	Auto / Manual
	Digital Noise Reduction	2D & 3D DNR
	S/N Ratio	≥55 dB
Defog	Smart Defog	
WDR	120 dB	
Smart IR	Up to 60 m	
Wavelength	850 nm	

★Product specification and availability are subject to change without notice.

5MP EXPLOSION PROOF BULLET CAMERA



ENC-HBU8M-60R-25

MODEL	Model No.	ENC-HBU8M-60R-25
	Type	5MP EXPLOSION PROOF BULLET CAMERA
DORI	Lens	4.0 ~ 12.8 mm
	Detection	134.2 ~ 392.3 m
	Observtion	53.6 ~ 158.0 m
	Recognition	26.0 ~ 78.0 m
	Identification	12.0 ~ 38.8 m
VIDEO	Max. Resolution	2592x1944
	Video Compression	Enhanced (H.265, H.264), H.265, H.264, MJPEG
	Frame Rate	Main Stream: (2592x1944, 2592x1520) @ 25/30fps, (1920x1080, 1280x720p @ 50/60fps Sub Stream: (1920x1080, 1280x720, 704x576) @ 25/30fps Third Stream: (640x480, 352x288, 320x240, 176x144) @ 25/30fps
	Stream Settings	i-Frame, PAL/NTSC, Frame Rate
	Video Bit Rate	100 kbps ~ 16 Mbps
	Bitrate Type	CBR, VBR
	Image Settings	Brightness, Contrast, Saturation, Sharpness, Day/Night (Color, Mono, Auto), Flip/Mirror/Rotation, Multiple Scene & Profile
	White Balance	Auto, Day/Night, Tungsten, Manual
	Corridor Mode	Supported
	HLC	Supported
	BLC	Supported
	OSD	Up to 8 regions
	OSD Type	Title, Week, Date, Time, Text with different colors and adaptable sizes, Image overlay
	ROI	Up to 8 regions
	Privacy Mask	Up to 4 regions
AUDIO	Audio Compression	G.711A, G.711U, ADPCM_D, AAC_LC
	Audio Bit Rate	64Kbps, 128Kbps
	Audio I/O	1/1
SMART	Behavior Detection	Intrusion (Perimeter), Crossline (Tripwire), Double Crossline (Double Tripwire)
	Intelligent Identification	Loitering, Multi Loitering, Abandoned Object (Object Left), Missing Object (Object Lost)
	Statistical Analysis	Face Detection, People Counting, Human & Vehicle detection, Abnormal Video & Audio Detection, Wrong Way Detection, Tampering / Masking / Scene Change, Abnormal Speed
	Alarm Management	Motion Detection, Tampering (Masking), Input & Output Event, Network Alarm, Disk Alarm, Day Night Switch Alarm, Abnormal Audio Alarm, Pre/Post Alarm Recording, Alarm Recording/Snapshot
INTERFACE	Alarm Notification	E-mail (Notification and Snapshot), HTTP (Alarm Icon), FTP (Snapshot and Recording), SD Card (Recording)
	Protocols	TCP/IP, UDP, IPv4, IPv6, ICMP, HTTP, HTTPS, FTP, DHCP, DNS, DDNS, RTP, RTSP, RTCP, PPPoE, NTP, UPnP, SMTP, IGMP, 802.1X, Multicast, SNMP
	Security	AES Video Encryption, IP Filter, User Authentication (Multiple Privilege Level), 802.1X Authentication (EAP-MD5), HTTPS Authentication, Digest Authentication, User Access Log
	Compatibility	ONVIF Profile (S, G, T, M), SDK / CGI
	Network	1 x RJ45 10M/100M Self Adaptive Ethernet Port
	Alarm I/O	1/1
	RS485	Supported
	Edge Storage	SD Card Slot, up to 1 TB
	ANR	Supported
	Built-in Heater	Supported (Optional)
	Cable Interface	Pig Tail
	Max Users	32
Client Application	EyeGuard	

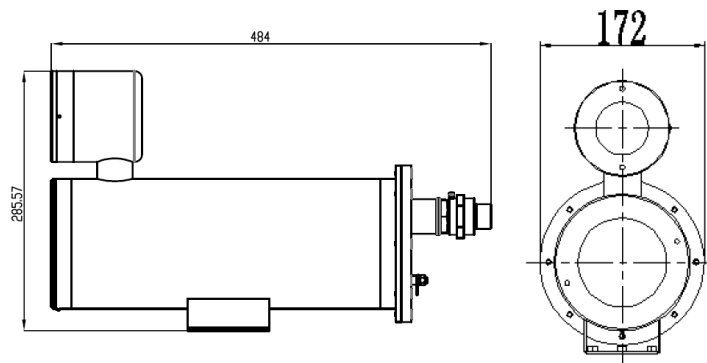
5MP EXPLOSION PROOF BULLET CAMERA



ENC-HBU8M-60R-25

MODEL		ENC-HBU8M-60R-25
Model No.		ENC-HBU8M-60R-25
Type		5MP EXPLOSION PROOF BULLET CAMERA
GENERAL	Power Supply	AC 110V ~ 240V / 24V DC / 24V AC / PoE+ (802.3at-Type 2)
	Max. Power Consumption	≤30W (with thermostat)
	Working Temperature	-40 °C ~ 70 °C
	Working Humidity	≤95% RH (non-condensing)
	Atmospheric pressure	80 kPa ~ 106 kPa
	Window glass	Strong Tempered Glass
	Sun shade	Supported
	Surge Protection	TVS4000V
	Ingress Protection	IP68
	Reset Button	Supported
	Dimensions	484.0X172.0x285.5 mm
	Net Weight	13.0 Kg

Dimension Unit : mm



ORDERING INFORMATION

Part Number	Description	Standard Quantity
ENC-HBU8M-60R-25	5MP SS316L Explosion Proof IR IP H.265 Bullet Camera with 4.0 to 12.8mm Motorized Lens, P-Iris, PoE, SD Card Slot, WDR, Smart Analytics and 60m IR Support	1
ENB-BZUW68	Wall Mount Bracket for Norden Explosion Proof Bullet Camera	1
ENB-BZUH68	Corner Mount Bracket Bracket for Norden Explosion Proof Bullet Camera	1
ENB-BZUV68	Pole Mount Bracket for Norden Explosion Proof Bullet Camera	1
ENA-EXH010	1 Meter Explosion Proof Hose for Norden Explosion Proof Camera	1
ENA-EXH015	1.5 Meter Explosion Proof Hose for Norden Explosion Proof Camera	1
ENA-EXH020	2 Meter Explosion Proof Hose for Norden Explosion Proof Camera	1

PACKING INFORMATION

Part Number	Packing Mode	Gross weight(Kg)	Dimension(mm)
ENC-HBU8M-60R-25	Carton Box	-	-

★Product specification and availability are subject to change without notice.

►NORDEN® | 5MP EXPLOSION PROOF BULLET CAMERA - GB.. - Version: 3.0

www.nordencommunication.com