

OUTDOOR HORN SPEAKER, 30W



DESCRIPTION

The NVS-EN30HN is an EN54-certified outdoor horn speaker designed for voice alarm systems. It supports both 100V line and 8 Ohm operation, with a 30W power rating, ensuring versatility for various sound distribution needs. Built for outdoor use, the speaker features an IP66 rating, offering reliable protection against dust and water. For safety, it includes a ceramic connector, fire-resistant cable, and a thermal fuse. This rugged design ensures clear and intelligible audio in outdoor environments, making it suitable for emergency communication systems. Ideal for outdoor paging and speech in schools, offices, hotels, and airports.

FEATURES

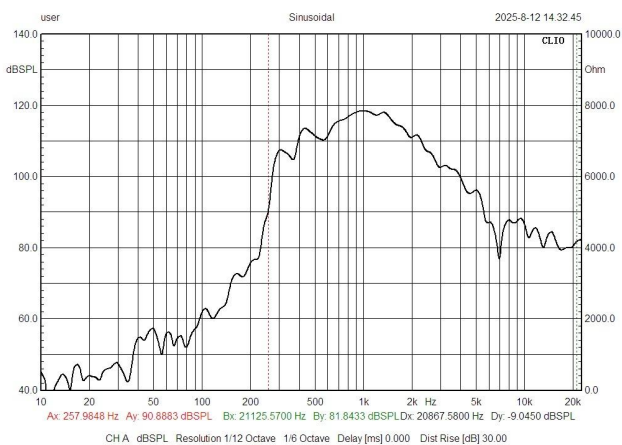
- ⦿ EN54-24 certified
- ⦿ Ceramic connector, thermal fuse, 95°C cable
- ⦿ ABS housing with stainless bracket
- ⦿ Quick bracket mounting

Specifications

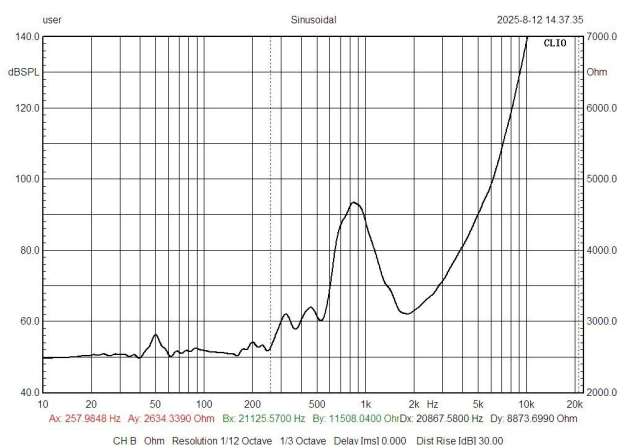
Model	NVS-EN30HN
Rated Power	30W
Power Taping Options	30W/15W/7.5W/3.75W
Frequency Response	400Hz-8KHz
Input	100V/70V, 8Ω
Sensitivity(1m,1w)	110dB±3dB
Maximum SPL (1m)	124dB±3dB
Coverage Angle	90°H ×60°V
IP Rating	IP66
Input Connector	By speaker cable tail
Dimension	290×213×293mm
Weight	2kg

OUTDOOR HORN SPEAKER,30W

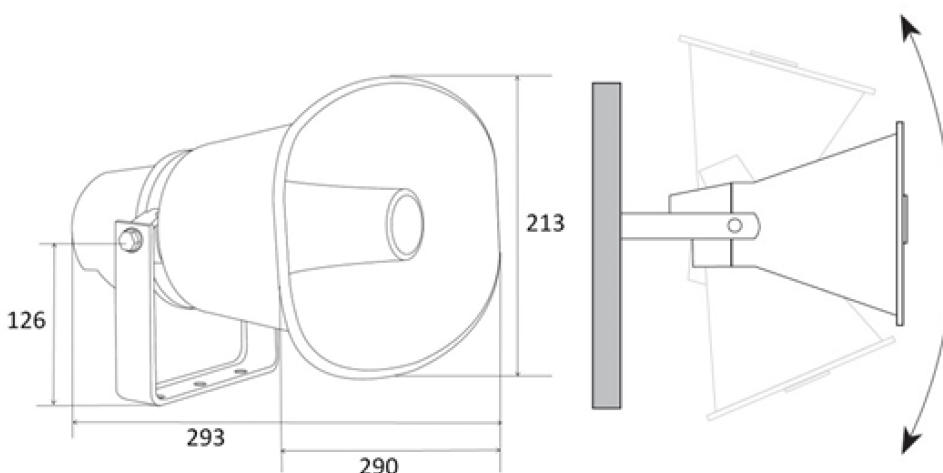
FREQ.RESPONSE
(dB SPL,1W,1m)



IMPEDANCE



DIMENSION



ORDERING INFORMATION

Part Number	Description	Standard Quantity
NVS-EN30HN	OUTDOOR HORN SPEAKER,30W	01

ACCESSORIES INFORMATION

Description	Standard Quantity
User Manual	01