

# IR ILLUMINATOR



## ENI-BSA060-110R

### FEATURES

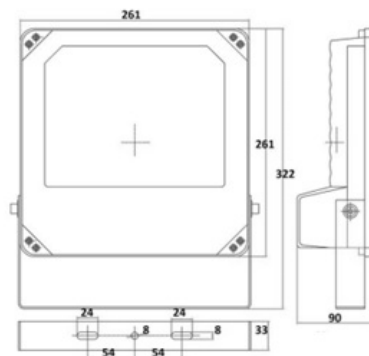
- 36 pcs IR LED
- 60 W IR Illuminator
- 110 m Distance Support
- IP66



### SPECIFICATION

| MODEL        |   | ENI-BSA060-110R   |
|--------------|---|---|
| Model No.    |   | ENI-BSA060-110R   |
| Type         |   | IR ILLUMINATOR  |
| GENERAL      | Beam Angle                                  | 60°   |
|              | Beam Distance                               | 110 m   |
|              | Day & Night                                 | Auto  |
|              | Color                                       | White   |
|              | LED   | 36 pcs LED  |
|              | Wavelength                                  | 850 nm  |
|              | Design Lifetime                             | 50,000 hours  |
|              | Power Supply                                | 85 ~ 265V AC/12-24V DC/24V AC   |
|              | Power Consumption                           | 60W   |
|              | Working Temperature                         | -30 °C ~ 50 °C  |
|              | Ingress Protection                          | IP66  |
|              | Bracket                                     | Wall Mount  |
|              | Material                                    | Aluminium Die-Casting Housing   |
| Panel        | Tempered Glass Panel and IR Passing Plastic |   |
| Dimensions   | 261 x 261 x 90 mm                           |   |
| Net Weight   | 2.9 kg                                      |   |
| INSTALLATION | Power                                       | The power and LED panel wires must both be pointing downward to prevent water incursion |
|              | Earthing                                    | Lighting safety precautions must be taken and power wires must be grounded              |
|              | Settings                                    | Modify the bolt of brightness, sensor and time, gently                                  |
|              | Installation                                | Professional electricians or quality technicians should install and adjust              |
|              | Caution                                     | Do not open the case and remove the power supply  |

Dimension Unit : mm



# IR ILLUMINATOR



## ENI-BSA060-110R

### ORDERING INFORMATION

| Part Number     | Description  | Standard Quantity |
|-----------------|--|-------------------|
| ENI-BSA060-110R | IR illuminator with 36 pieces High Power IR LED, 60° Beam Angle, 110 m IR and IP66 Support | 1                 |

### PACKING INFORMATION

| Part Number     | Packing Mode | Gross weight(Kg) | Dimension(mm) |
|-----------------|--------------|------------------|---------------|
| ENI-BSA060-110R | Carton Box   | 3.2              | 290x280x140   |