

ADVANCED DRIVER ASSISTANCE CAMERA



ENC-ADA1F-00R-00

FEATURES

Advanced Driver Assistance Camera

720P Resolution

3.6mm Fixed Lens



SPECIFICATION

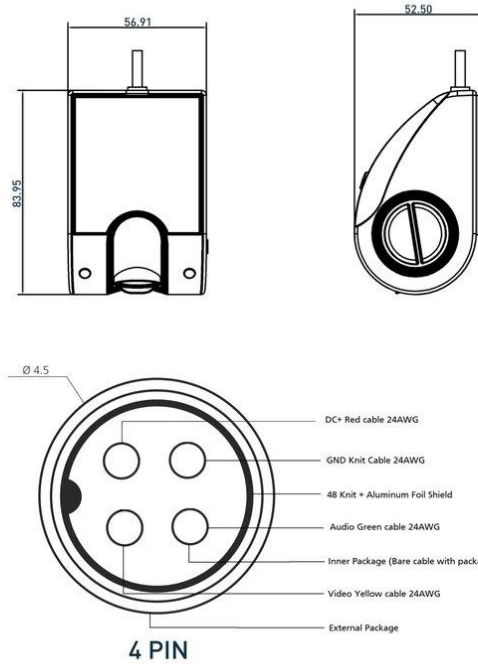
MODEL	Model No.	ENC-ADA1F-00R-00
CAMERA	Type	ADVANCED DRIVER ASSISTANCE CAMERA
	Image Sensor	1/3" CMOS Sensor
	Image Type	Color
	Lens	3.6 mm
	Angle of View (H)	60°
	Angle of View (V)	53°
	Angle of View (D)	85°
	Aperture	F2.4
	Max Resolution	1280x720
	Digital Noise Reduction	2D DNR
	WDR	70.4 dB
	Signal Type	PAL
	FPS	25fps
OSD Type	Title, Week, Date, Time, Speed	
GENERAL	Power	12V VCC
	Max. Power Consumption	≤0.79 W
	Working Temperature	-20 °C ~ 60 °C
	Working Humidity	≤90%
	Connector Type	4 Pin M12
	Female Port	Pin 1: DC+ Red Cable Pin 2: GND Knit Cable Pin 3: Audio Green cable Pin 4: Video Yellow cable
	Cable Length	570mm

ADVANCED DRIVER ASSISTANCE CAMERA



ENC-ADA1F-00R-00

Dimension Unit : mm



ORDERING INFORMATION

Part Number	Description	Standard Quantity
ENC-ADA1F-00R-00	720P AHD Advanced Driver Assistance Camera	1

PACKING INFORMATION

Part Number	Packing Mode	Gross weight(Kg)	Dimension(mm)
ENC-ADA1F-00R-00	Carton Box	-	-