

# BLIND SPOT DETECTION CAMERA



**ENC-ABS1F-00R-00**

## FEATURES

Blind Spot Detection Camera

720P Resolution

3.6mm Fixed Lens



## SPECIFICATION

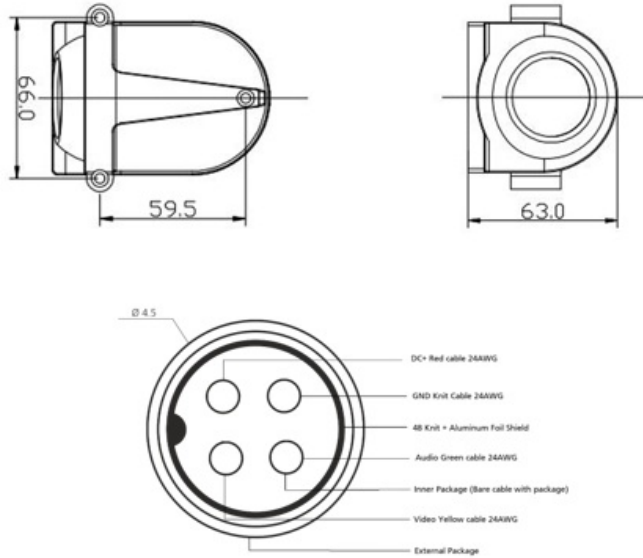
MODEL	Model No.	<b>ENC-ABS1F-00R-00</b>
	Type	BLIND SPOT DETECTION CAMERA
CAMERA	Image Sensor	1/4" CMOS Sensor
	Image Type	Color
	Lens	3.6 mm
	Max Resolution	1280x720
	Signal Type	PAL
	FPS	25fps
	OSD Type	Title, Week, Date, Time, Speed
Intelligent Identification	Pedestrians, Vehicle Closer Approaches	
GENERAL	Power	12V DC
	Max. Power Consumption	≤1.2 W
	Working Temperature	-20 °C ~ 70 °C
	Connector Type	4 Pin M12
	Female Port	Pin 1: DC+ Red Cable Pin 2: GND Knit Cable Pin 3: Audio Green cable Pin 4: Video Yellow cable
	Cable Length	570mm
	Ingress Protection	IP67

# BLIND SPOT DETECTION CAMERA



**ENC-ABS1F-00R-00**

Dimension Unit : mm



## ORDERING INFORMATION

Part Number	Description	Standard Quantity
ENC-ABS1F-00R-00	720P AHD Blind Spot Detection Camera	1

## PACKING INFORMATION

Part Number	Packing Mode	Gross weight(Kg)	Dimension(mm)
ENC-ABS1F-00R-00	Carton Box	-	-