

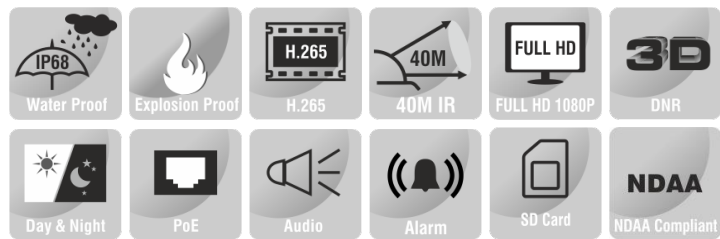
# 5MP EXPLOSION PROOF DOME CAMERA



## ENC-HVD8M-40R-25

### FEATURES

Starlight Illumination
316L Stainless Steel Construction
2.7~13.5 mm Motorized Lens
Smart IR up to 40 m
ONVIF Profile (S, G, T, M)
ATEX/ IECEx/ CCoE (PESO) Certified
Applicable for GAS Zone 1, Zone 2, Class IIA, IIB, IIC
Applicable for Temperature Classes T1-T6
Applicable for Dust Zone 21, 22
PoE, IP68



### SPECIFICATION

MODEL	Model No.	ENC-HVD8M-40R-25
	Type	5MP EXPLOSION PROOF DOME CAMERA
CAMERA	Image Sensor	1/2.7" CMOS Progressive 5.0 MegaPixel
	Day/Night	IR Cut Filter with Auto Switch
	Lens Type	Motorized
	Focal Length	2.7~13.5 mm
	Focus	Auto / Manual
	Iris	DC Auto Iris
	Lens Mount	Ø14
	Angle of View (H)	98.3° ~ 32.2°
	Angle of View (V)	54.9° ~ 18.2°
	Angle of View (D)	112.6° ~ 37.0°
	Aperture Range	F1.6
	Electronic Shutter	1s ~ 1/100,000s, Auto / Manual
	Min. Illumination	Color: 0.001 lux @ F1.6, B/W: 0 lux with IR
	AGC	Auto / Manual
	Digital Noise Reduction	2D / 3D DNR
S/N Ratio	≥55 dB	
Defog	Smart Defog	
WDR	120 dB	
Smart IR	Up to 40 m	
Wavelength	850 nm	

★Product specification and availability are subject to change without notice.

# 5MP EXPLOSION PROOF DOME CAMERA



## ENC-HVD8M-40R-25

MODEL	Model No.	ENC-HVD8M-40R-25
	Type	5MP EXPLOSION PROOF DOME CAMERA
DORI	Lens	2.7 ~ 13.5 mm
	Detection	56.0 ~ 240.0 m
	Observation	22.0 ~ 95.0 m
	Recognition	11.0 ~ 48.0 m
	Identification	5.6 ~ 24.0 m
VIDEO	Max. Resolution	2880x1620
	Video Compression	Enhanced (H.265, H.264), H.265, H.264, MJPEG
	Frame Rate	Main Stream: (2880x1620, 2688x1520, 2560x1440, 2304x1296) @ 25fps, (1920x1080, 1280x720) @ 50fps Second Stream: (704x576, 704x288, 352x288, 640x360) @ 25fps, (704x480, 704x240, 352x240, 640x360) @ 30fps Third Stream: (1920x1080, 1280x720, 704x576, 640x360, 704x288, 352x288) @ 25fps, (1920x1080, 1280x720, 704x480, 640x360, 704x240, 352x240) @ 30 fps
	Stream Settings	i-Frame, PAL/NTSC, Frame Rate
	Video Bit Rate	32Kbps ~ 16Mbps
	Bitrate Type	CBR, VBR
	Image Settings	Brightness, Contrast, Saturation, Hue, Sharpness, Rotation/Mirror, Gain, Exposure, Day/Night
	White Balance	Auto, Semi Auto, Sunshine, Daylight, Warm Light, Filament, Nature Light, Lock WB, Manual
	Corridor Mode	Supported
	HLC	Supported
	BLC	Supported
	OSD	Up to 5 regions
	OSD Type	Title, Week, Date, Time, Text with different colors and adaptable sizes (16x16, 32x32, 48x48, 64x64,96x96), Image overlay
	ROI	Up to 8 regions
	Privacy Mask	Up to 4 regions
AUDIO	Audio Compression	G.711A, G.711U, ADPCM_D, AAC_LC
	Audio Bit Rate	8Kbps, 32Kbps, 64Kbps
	Audio I/O	1/1
SMART	Behavior Detection	Intrusion (Perimeter), Crossline (Tripwire), Double Crossline (Double Tripwire)
	Intelligent Identification	Loitering, Running, Abandoned Object (Object Left), Missing Object (Object Lost), Parking
	Statistical Analysis	Face Detection (Capture), People Counting, Crowd Detection, On Duty Detection, Helmet Detection, Human & Vehicle Classification, Abnormal Video & Audio Detection
	Alarm Management	Motion Detection, Tampering (Masking), Input & Output Event, IP & MAC Address Conflict, Disk Alarm (Full & R/W Error), FTP Server Exception, Abnormal Voltage, Pre/Post Alarm Recording, Alarm Recording/Snapshot
	Alarm Notification	E-mail (Notification & Snapshot), HTTP (Alarm icon), FTP (Snapshot & Recording), SD Card (Recording)
INTERFACE	Protocols	TCP/IP, UDP, IPv4, IPv6, ICMP, HTTP, HTTPS, FTP, DHCP, DNS, DDNS, RTP, RTSP, RTMP, PPPoE, NTP, UPnP, SMTP (SSL/TLS), IGMP, 802.1X, QoS (DSCP), Unicast, Multicast, ARP, SNMP, SSL, SFTP, P2P
	Security	AES 128/256 Video Encryption, IP Filter, User Authentication (Multiple Privilege Level), 802.1X Authentication (EAP-MD5), HTTPS Authentication, Digest Authentication, User Access Log
	Compatibility	ONVIF Profile (S, G, T, M), SDK/API/CGI
	Network	1 x RJ45 10M/100M Self Adaptive Ethernet Port
	Alarm I/O	2/1
	Edge Storage	Micro SD Card Slot, up to 512 GB
	ANR	Supported
	Cable Interface	Pig Tail
	Remote Connection	≤7
Web Language	15	
GENERAL	Power Supply	12V DC, PoE (IEEE 802.3af)
	Max. Power Consumption	≤10W
	Working Temperature	-40 °C ~ 70 °C
	Working Humidity	≤95% RH
	Atmospheric Pressure	80 kPa ~ 110 kPa
	Ingress Protection	IP68
	Surge Protection	TVS4000V
	Reset Button	Supported
Dimensions	∅156 x 134 mm	
Net Weight	6.4 Kg	

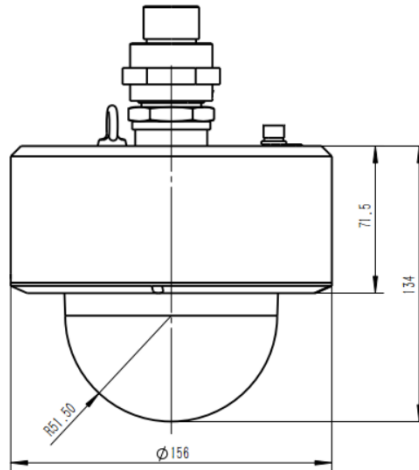
★Product specification and availability are subject to change without notice.

# 5MP EXPLOSION PROOF DOME CAMERA



ENC-HVD8M-40R-25

Dimension Unit : mm



## ORDERING INFORMATION

Part Number	Description	Standard Quantity
ENC-HVD8M-40R-25	5MP SS316L Explosion Proof IR IP Dome Camera with 2.7 to 13.5mm Motorized Lens, PoE, SD Card Slot, WDR, Smart analytics and 40m IR Support (Wall mount / Ceiling mount bracket included)	1
ENB-BZDC68	Ceiling Mount Bracket for Norden Explosion Proof Dome Camera	1
ENB-BZDW68	Wall Mount Bracket for Norden Explosion Proof Dome Camera	1
ENA-EXH010	1 Meter Explosion Proof Hose for Norden Explosion Proof Camera	1
ENA-EXH015	1.5 Meter Explosion Proof Hose for Norden Explosion Proof Camera	1
ENA-EXH020	2 Meter Explosion Proof Hose for Norden Explosion Proof Camera	1

## PACKING INFORMATION

Part Number	Packing Mode	Gross weight(Kg)	Dimension(mm)
ENC-HVD8M-40R-25	Carton Box	-	-

★Product specification and availability are subject to change without notice.