

RECESSED FLAT EDGE TYPE WALL MOUNT CABINET



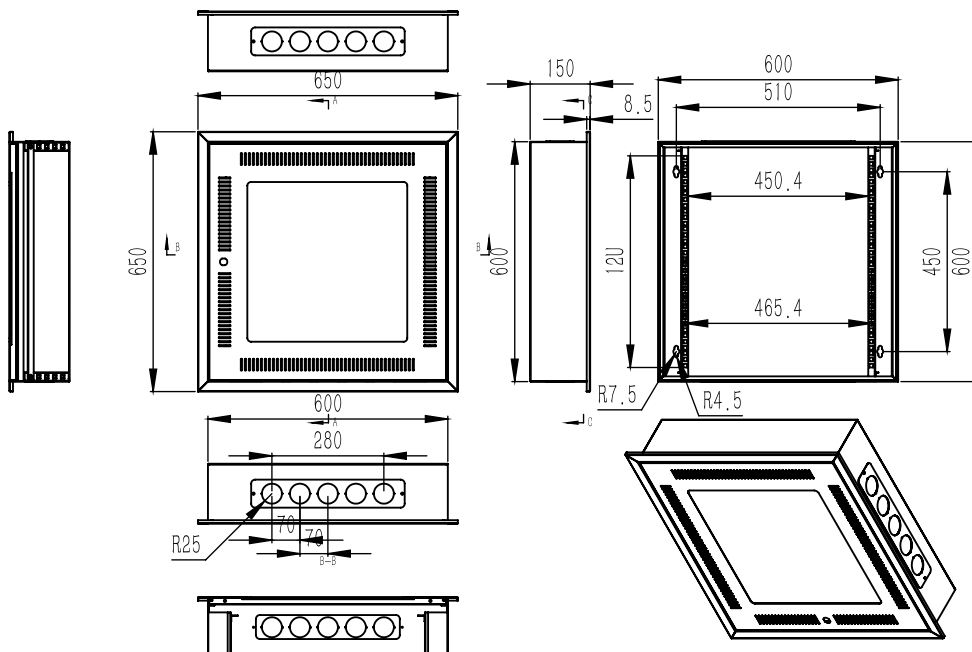
The Norden range of recessed type wall mount cabinets designed for home/office environments. The cabinet's structure is welded and painted with electrostatic powder coated finish. Easycab is available in 12U size and comply with ANSI/EIA, RS-310-D; IEC 2972; DIN 41491:PART 1; DIN 41494:PART 7; GB/T3047.2-92 standard and ETSI standard.

FEATURES

- Tempered front glass door with lock
- Back wall mount panel
- Top, Bottom & Sides with round cable holes of 50mm
- With 3U mounting plate inside middle of the cabinet
- Adjustable 19" Mounting Profile

Material	SPCC Cold Rolled Steel or EG steel
Degree of Protection	IP20
Surface Finish	Degrease, Acid Pickling, Rust Prevention and Parkerizing, Pure Water Cleaning, Static Electricity Powder Coating
Loading Capacity	20 KGS
Thickness	Mounting profile:1.2-1.4 mm,others:1.00mm to 1.20mm after painted
Colour	RAL9010(Pure White);RAL7035(Grey)

STRUCTURE



RECESSED FLAT EDGE TYPE WALL MOUNT CABINET

ORDERING INFORMATION

Part Number	Description	Capacity (U)	Dimension (mm)
N209-126210X	12U 600 (W) x 150 (D) Front Glass Recessed Flat Edge Type Wall Mount Cabinet	12U	600 x 150 x 600

X: R2(RAL 7035), R3(RAL 9010)