

4MP PTZ DOME CAMERA



ENC-HHP7Z-300R-70

FEATURES

- 40X Optical Zoom
- 16X Digital Zoom
- Smart IR up to 300 m
- Onvif Profile (S, G, T, M)
- Quad Stream
- Audio & Alarm Support
- PoE++, IK10, IP67



SPECIFICATION

MODEL	Model No.	ENC-HHP7Z-300R-70
	Type	4MP PTZ DOME CAMERA
CAMERA	Image Sensor	1/2.8", CMOS Progressive 4.0 MegaPixel
	Day/Night	IR Cut Filter with Auto Switch
	Lens Type	Motorized Zoom Lens
	Focal Length	5 ~ 200 mm (Optional 5.5 ~ 220 mm)
	Focus	Auto / Semi Auto / Manual
	Iris Type	DC Auto Iris, Auto / Manual
	Angle of View (H)	55.6° ~ 1.5° (Optional 51.2° ~ 1.4°)
	Angle of View (V)	32.7° ~ 1.0° (Optional 30.1° ~ 0.8°)
	Angle of View (D)	64.5° ~ 1.8° (Optional 62.8° ~ 1.6°)
	Aperture Range	F1.6 ~ F5.0
	Optical Zoom	40X
	Digital Zoom	16X
	Electronic Shutter	1s ~ 1/100,000s, Auto/Manual
	Min. illumination	Color: 0.001 lux @ F1.6, B/W: 0.0001 lux @ F1.6; 0 lux with IR on
	AGC	Auto / Manual
Digital Noise Reduction	2D & 3D DNR, Auto / Manual	
S/N Ratio	≥55 dB	
Defog	Smart Defog	
WDR	120 dB	
Smart IR	Up to 300 m	
Wavelength	850nm	

★Product specification and availability are subject to change without notice.

★★Customizable based on project

4MP PTZ DOME CAMERA



ENC-HHP7Z-300R-70

MODEL	Model No.	ENC-HHP7Z-300R-70
	Type	4MP PTZ DOME CAMERA
DORI	Lens	5 ~ 200 mm (Optional 5.5 ~ 220 mm)
	Detection	102.0 ~ 3960 m (Optional 111.7 ~ 4243.0 m)
	Observation	40.7 ~ 1597.0 m (Optional 44.5 ~ 1711.1 m)
	Recognition	19.6 ~ 792.0 m (Optional 21.6 ~ 848.6 m)
	Identification	9.0 ~ 396.0 m (Optional 10.0 ~ 424.3 m)
VIDEO	Max. Resolution	2592x1520
	Video Compression	Enhanced (H.265, H264), H.265, H.264, MJPEG
	Frame Rate	Main Stream: (2592x1520) @25/30fps, (1920x1080, 1280x720) @50/60fps Sub Stream: (1920x1080, 1280x720, 704x576) @25/30fps Third Stream: (640x480, 352x288, 320x240) @25/30fps Fourth Stream: (640x480, 352x288, 320x240) @ 25/30fps (Optional)
	Stream Settings	i-Frame, PAL/NTSC, Frame Rate
	EIS	Supported
	Video Bit Rate	100 kbps ~ 12 Mbps
	Bitrate Type	CBR, VBR
	Image Settings	Brightness, Contrast, Saturation, Sharpness, Day/Night (Color, Mono, Auto), Flip/Mirror/Rotation, Multiple Scene & Profile
	White Balance	Auto, Day/Night, Tungsten, Fluorescent, Shadow, Manual
	HLC	Supported
	BLC	Supported
	OSD	Up to 7 regions
	OSD Type	Title, Week, Date, Time, Text with different colors and adaptable sizes
	ROI	Up to 8 regions
	Privacy Masking	Up to 40 regions (each scene up to 8)
AUDIO	Audio Compression	G.711U, G.711A, RAW_PCM
	Audio Bit Rate	64 kbps, 128 kbps
	Audio I/O	1/1
	Two-Way Communication	Supported
	Audio Voltage	Audio input, level 2.4V, Input Impedance 11Kohms, Audio Output, level 2.8V
SMART	Behavior Detection	Intrusion (Perimeter), Crossline (Tripwire), Double Crossline (Double Tripwire)
	Intelligent Identification	Loitering, Multi Loitering, Abandoned Object (Object Left), Missing Object (Object Lost), Smoke Detection, Flame Detection
	Statistical Analysis	Face Detection, People Counting, Human & Vehicle Detection, Abnormal Video & Audio Detection, Wrong Way Detection, Illegal Parking, Tampering / Masking / Scene Change, Abnormal Speed
	Alarm Management	Motion Detection, Tampering (Masking), Input & Output Event, Network Alarm, Disk Alarm, Day Night Switch Alarm, Abnormal Audio, Alarm, Abnormal Speed, Pre/Post Alarm Recording, Alarm Recording/Snapshot, Scheduled/Manual Alarm
	Alarm Notifications	E-mail (Notification & Snapshot), HTTP (Alarm icon), FTP (Snapshot & Recording), SD Card (Recording)
Auto Tracking	Supported	
INTERFACE	Protocols	TCP/IP, UDP, IPv4, IPv6, HTTP, HTTPS, RTSP, RTP, RTCP, DHCP, NTP, PPPoE, SMTP, DNS, DDNS, FTP, UPnP, 802.1x, QoS, ICMP, IGMP, SNMP, ARP, SSL/TLS, Unicast, Multicast, SRTP**
	Security	AES 128/256 Video Encryption, IP Filter, User Authentication (Multiple Privilege Level), 802.1X Authentication (EAP-MD5 & EAP-TLS), HTTPS Authentication, RTSP Authentication, Digest Authentication, User Access Log, AES 128/256 SD Card Encryption**
	Compatibility	ONVIF Profile (S, G, T, M), SDK, CGI
	Network	1xRJ45 10M/100M self adaptive Ethernet port
	Alarm I/O	7/2
	Serial Interface	1xRS485
	CVBS Output	Supported
	Edge Storage	Micro SD card slot, up to 1 TB
	ANR	Supported
	Built-in Heater	Supported
	Built-in Fan	Supported
	Wiper	Supported
	Cable Interface	Pig Tail
	Remote Connection	≤10
	Max. User	32
Web Language	15	
Web Client	EyeGuard	

★Product specification and availability are subject to change without notice.

★★Customizable based on project

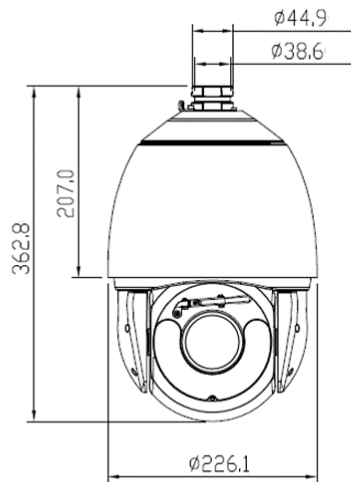
4MP PTZ DOME CAMERA



ENC-HHP7Z-300R-70

MODEL		ENC-HHP7Z-300R-70
Type		4MP PTZ DOME CAMERA
PAN AND TILT	Pan Range	360° (Endless)
	Pan Speed	Pan Manual Speed: 0.1°~ 300°/s, Pan Preset Speed: 300°/s
	Tilt Range	-10° ~ +90° (Auto Flip)
	Tilt Speed	Tilt Manual Speed: 0.1° ~ 300°/s, Tilt Preset Speed: 300°/s
	Preset Accuracy	±0.2°
	Number of Presets	400
	Power off Recovery	Supported
	3D Position	Supported
	PTZ Status Display	Supported
	PTZ Mode	6 Track, 12 Tour, 12 Scan (Up to 32 Presets per Tour)
GENERAL	Power Supply	36 DC / 24 V AC, PoE ++ (IEEE 802.3bt)
	Max. Power Consumption	≤45 W
	Working Temperature	-40°C ~ 70°C
	Working Humidity	≤95%RH
	Casing	Metal
	Ingress Protection	IP67
	Vandal Resistant	IK10
	Surge Protection	TVS4000V
	Dimensions	Φ226.1×362.8 mm
Net Weight	5.5 kg	

Dimension Unit : mm



★Product specification and availability are subject to change without notice.

★★Customizable based on project

4MP PTZ DOME CAMERA



ENC-HHP7Z-300R-70

ORDERING INFORMATION

Part Number	Description	Standard Quantity
ENC-HHP7Z-300R-70 (With 5 ~ 200 mm Lens)	4MP IR IP H.265 High Speed Dome with 40X Optical Zoom, PoE++, SD Card Slot, WDR, Smart Analytics, Built in Wiper and 300m IR Support	1
ENC-HHP7Z-300R-70 (With 5.5 ~ 220 mm Lens)	4MP IR IP H.265 High Speed Dome with 40X Optical Zoom, PoE++, SD Card Slot, WDR, Smart Analytics, Built in Wiper and 300m IR Support	1
ENB-BCPW67	Wall Mount Bracket for Norden PTZ Camera (Included in Device Package)	1
ENB-BCPH66	Corner Mount Bracket for Norden PTZ Camera	1
ENB-BCPV66	Pole Mount Bracket for Norden PTZ Camera	1
ENB-BCPJ66	Junction Box for Norden PTZ Camera	1
ENB-BCPX67	Wall Mount Bracket with Junction Box for Norden PTZ Camera	1
ENB-BCPP67	Pendant Mount Bracket for Norden PTZ Camera	1

PACKING INFORMATION

Part Number	Packing Mode	Gross weight(Kg)	Dimension(mm)
ENC-HHP7Z-300R-70	Carton Box	-	-

★Product specification and availability are subject to change without notice.

★★Customizable based on project