

# KEYSTONE JACK PUNCH DOWN TOOL COMPACT SERIES

Norden Punch Down Keystone Jack Termination Tool is used to deliver consistent and nice Keystone jack termination. This tool was developed to meet the needs of the most discerning and quality-sensitive installation professionals in multiple markets including commercial residential, high-end data centres, and military. This Keystone jack termination tool can be used with one hand and produces more reliable and high-quality results.

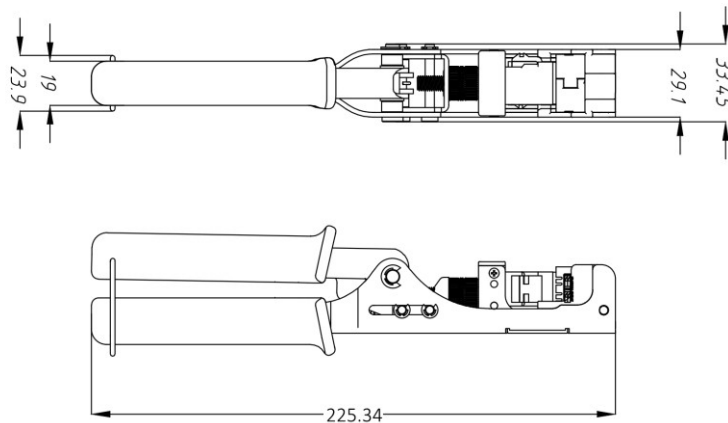


## SPECIFICATION

Material of Body	SPCC
Handle Colour	Blue
Blade Type	110
Supporting Jack	Standard 90° / 180° Unshielded Keystone Jacks

## FEATURES

- The termination process is simplified.
- Punches down and trims all 8 conductors in one crimp.
- Compatible with standard 90 degree and 180 degree keystone jacks.
- Comes with a retaining ring to keep the crimper closed when not in use.



## ORDERING INFORMATION

Part Number	Description
NC18-PT01X	Keystone Jack Punch Down Tool Compact Series ( 90° / 180° )
NC18-PT01X-P	Keystone Jack Punch Down Tool Compact Series (180° )