

2MP PIN HOLE CAMERA



ENC-HMP5F-00R-51

FEATURES

2MP Resolution
3.7 mm Lens
Triple Stream
ONVIF Profile (S, G, T)
PoE



SPECIFICATION

MODEL	Model No.	ENC-HMP5F-00R-51
	Type	2MP PIN HOLE CAMERA
CAMERA	Image Sensor	1/2.8" Progressive CMOS Sensor
	Day/ Night	Auto
	Lens Type	Fixed
	Focal Length	3.7 mm
	Aperture Range	F2.0
	Angle of View (H)	82.9°
	Angle of View (V)	41.1°
	Angle of View (D)	92.5°
	Electronic Shutter	1s ~ 1/100000s Auto/Manual
	Min. Illumination	Color: 0.01 Lux @ F2.0, B/W:001 Lux
	AGC	Auto/ Manual
	Digital Noise Reduction	2D / 3D DNR
	S/N Ratio	≥55dB
	WDR	120dB
Wavelength	850 nm	
VIDEO	Max.Resolution	1920x1080
	Frame Rate	Main Stream: (1920x1080, 1280x960, 1280x720) @25/30fps Sub Stream: (704x576, 640x480, 640x360, 352x288, 320x240) @25/30fps Third Stream: (640x480, 352x288, 320x240) @25/30fps
	Video Compression	H.265+, H.265, H.264, MJPEG
	Bit Rate Type	CBR, VBR
	Video Bit Rate	100 kbps ~ 6 Mbps
	Image Settings	Brightness, Contrast, Saturation, Sharpness, Flip / Mirror / Rotation, Multiple Scene & Profile
	White Balance	Auto / Manual
	Corridor Mode	Supported
	HLC	Supported
	BLC	Supported
	ROI	Up to 8 regions
Privacy Mask	Up to 4 regions	

★Product specification and availability are subject to change without notice.

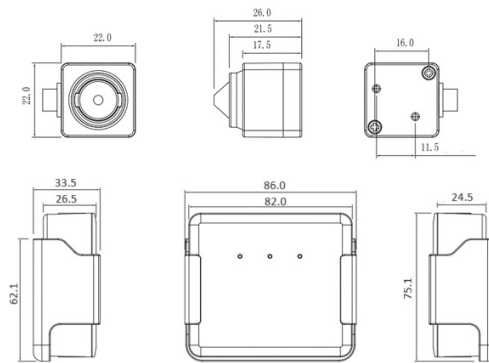
2MP PIN HOLE CAMERA



ENC-HMP5F-00R-51

MODEL	Model No.	ENC-HMP5F-00R-51
	Type	2MP PIN HOLE CAMERA
INTERFACE	Protocols	TCP/IP, UDP, IPv4, IPv6, ICMP, HTTP, HTTPS, FTP, DHCP, DNS, DDNS, RTP, RTSP, RTCP, PPPoE, NTP, UPnP, SMTP, IGMP, 802.1X, Unicast, Multicast, QoS, ARP, SNMP, SSL/TLS1.2
	Compatibility	ONVIF(Profile S, G, T), SDK / CGI
	Network	1 x RJ45 10M/100M Self Adaptive Ethernet port
	Alarm I/O	1/1
	Edge Storage	SD card slot up to 256 GB
	Cable Interface	Pig Tail
	Max. User	10
	Client Application	EyeGuard
	Web Language	11
SMART	Behaviour Detection	Intrusion (Perimeter), Crossline (Tripwire), Double Crossline (Double Tripwire)
	Intelligent Identification	Loitering
	Statistical Analysis	Face Detection, People Counting, Human & Vehicle Detection, Wrong Way Detection
GENERAL	Power Supply	DC 12V, PoE
	Max. Power Consumption	2.5 W
	Working Temperature	-30 ~ 55°C
	Working Humidity	≤95%RH
	Housing	Metal + Plastic
	Reset Button	Supported
	Dimensions	Lens Part: 26.0 x 22 x 22 mm Camera Part: 86.0 x 75.1 x 33.5 mm
	Cable Length	2m (Expandable with Extra 4m Using Ethernet Cables)
Weight	0.22Kg	

Dimension Unit : mm



ORDERING INFORMATION

Part Number	Description	Standard Quantity
ENC-HMP5F-00R-51	2MP H.265 IP Pinhole Camera with 3.7mm Fixed Lens, WDR, PoE, SD Card Slot and Smart Analytics	1

PACKING INFORMATION

Part Number	Packing Mode	Gross weight(Kg)	Dimension(mm)
ENC-HMP5F-00R-51	-	-	-

★Product specification and availability are subject to change without notice.