

# IP THERMAL PTZ CAMERA



## ENC-HHP7Z-300R-34

### FEATURES

384x288 VOx Uncooled Focal Plane Detector

Sensitivity  $\leq 40\text{mK}$

25 mm Motorized Focus Lens

Areas / Spot / Line Temperature Measurement Rule Support

17 Color Patterns Support

IP67, PoE++



### SPECIFICATION

MODEL	Model No.	<b>ENC-HHP7Z-300R-34</b>
	Type	IP THERMAL PTZ CAMERA
THERMAL CAMERA	Detector Type	Uncooled VOx Focal Plane Arrays
	Effective Pixels	384x288 and Image can be scaled up to 1280x720
	Pixel Size	12um
	Thermal Sensitivity (NETD)	$\leq 40\text{ mK}$
	Spectral Range	8 ~ 14um
	Image Settings	Brightness, Sharpness, Contrast, 2D/3D DNR, Mirror / Flip, FFC
	Color Palettes	White & Black Hot, Ironbow, Rainbow etc. up to 17 modes
THERMAL LENS	Iris	Auto Fixed IRIS
	Lens	Fixed
	Focus Control	Motorized Focus
	Focal Length	25 mm
	F No	F1.0
	Angle of View	10.5 ° (H), 7.9 ° (V)
	Detection	25 mm: Human(1.8mx0.5m) - 1042 m, Vehicle(4.0mx1.5m) - 3194 m
	Recognition	25 mm: Human(1.8mx0.5m) - 260 m, Vehicle(4.0mx1.5m) - 799 m
THERMAL LENS	Identification	25 mm: Human(1.8mx0.5m) - 130 m, Vehicle(4.0mx1.5m) - 399 m
	Fire Detection	25 mm: Fire (0.2mx0.2m) - 208 m, Fire (1.0mx1.0m) - 1042 m

★Product specification and availability are subject to change without notice.

# IP THERMAL PTZ CAMERA



## ENC-HHP7Z-300R-34

MODEL	Model No.	ENC-HHP7Z-300R-34
	Type	IP THERMAL PTZ CAMERA
VIDEO	Video Compression	H.265, H.264, MJPEG
	Frame Rate	Main Stream: (1280x720, 704x576, 384x288) @25fps; Sub Stream: (704x576, 384x288, 352x240) @25fps;
	Stream Settings	i-Frame, Frame Rate
	Bit Rate Control	CBR, VBR
	Bit Rate	100 Kbps ~ 8 Mbps
	Image Settings	Brightness, Contrast, Flip/Mirror/Rotation
	OSD	Up to 8 regions
	OSD Type	Title, Week, Date, Time, Text with different colors and adaptable sizes (Small / Medium / Big), Image overlay
	ROI	Up to 8 regions
	Privacy Masking	Up to 4 regions
AUDIO	Audio Compression	G.711A, G.711U, RAW_PCM
	Audio Bitrate	64kbps, 128kbps
	Audio I/O	1/1
SMART	Behavior Detection	Intrusion (Perimeter), Crossline (Tripwire), Double Crossline (Double Tripwire)
	Intelligent Identification	Loitering, Region Entry / Exit Detection, Flame Point Detection, Smoker Detection
	Statistical Analysis	People Counting, Wrong Way Detection, Human and Vehicle Detection, Temperature Detection
	Alarm Management	Motion Detection, Disk Full Alarm, Temperature Alarm, Input / Output Alarm, IVS Alarm
	Alarm Notification	E-mail (Notification and Snapshot), HTTP (Alarm Icon), FTP (Snapshot and Recording), SD Card (Recording)
TEMPERATURE	Auto Tracking	Supported
	Detection Mode	Spot, Line, Area (Total 20 Rules - 1 Full Screen and 19 others)
	Alarm	Over/Difference Alarm
	Accuracy	±8°C
	Response Time	≤ 30ms
INTERFACE	Measurement range	-20°C ~ 150°C (-4°F ~ 302°F)
	Protocols	TCP/IP, UDP, IPv4, IPv6, ICMP, HTTP, HTTPS, FTP, DHCP, DNS, DDNS, RTP/RTCP, RTSP, PPPoE, NTP, UPnP, SMTP (SSL/TLS), IGMP, 802.1x, QoS, Multicast, SNMP, ARP
	Security	AES 128/256 Encryption, IP Filter, User Authentication (Multiple Privilege Level), Digest Authentication, User Access Log
	Compatibility	ONVIF Profile (S, G, T, M), CGI / SDK
	Network	1x RJ45 10M/100M Self Adaptive Ethernet Port
	Serial Interface	1xRS485
	BNC	Supported
	Edge Storage	Micro SD Card Slot, Up to 1TB
	Alarm I/O	7/2
	Heater	Supported
	Fan	Supported
	Wiper	Supported
	Max. User	32
	Client Application	EyeGuard
	PAN AND TILT	Pan Range
Pan Speed		Pan Manual Speed: 0.01° ~ 300°/s, Pan Preset Speed: 300°/s
Tilt Range		-10° ~ +90°
Tilt Speed		Tilt Manual Speed: 0.01° ~ 240° /s, Tilt Preset Speed: 240°/s
Preset Accuracy		± 0.2°
Number of Presets		400
3D Position		Supported
Power Off Memory		Supported
PTZ Mode		6 Track 12 Scan, 12 Patrol (32 Preset per Patrol)
Speed Setup		Auto/Manual (0-8)

★Product specification and availability are subject to change without notice.

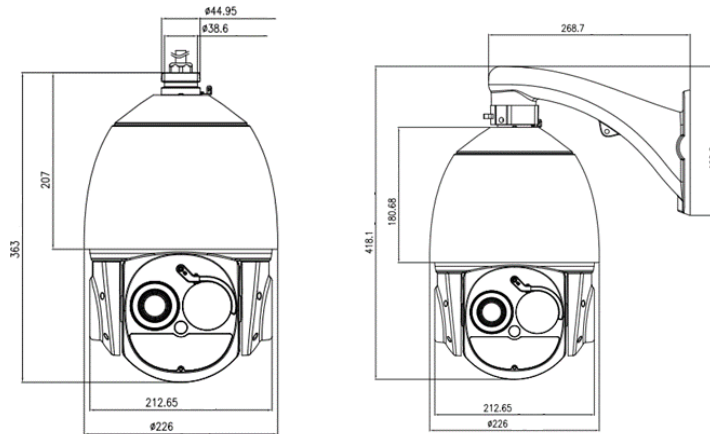
# IP THERMAL PTZ CAMERA



## ENC-HHP7Z-300R-34

MODEL		ENC-HHP7Z-300R-34
Type		IP THERMAL PTZ CAMERA
GENERAL	Power Supply	36V DC (Default)/ AC 24V, PoE++(IEEE 802.3bt)
	Max. Power consumption	≤45 W
	Working Temperature	-40 °C ~ 70°C
	Working Humidity	≤95% RH
	Casing	Metal
	Ingress Protection	IP67
	Vandal Resistant	IK10 (Housing)
	Surge Protection	TVS6000V
	Reset Button	Supported
	Dimensions	φ226×363 mm
Weight	6 Kg	

Dimension Unit : mm



### ORDERING INFORMATION

Part Number	Description	Standard Quantity
ENC-HHP7Z-300R-34	Thermal Camera IP Thermal PTZ Camera with 384*288 Thermal Resolution and SD Card Slot Support.	1

### PACKING INFORMATION

Part Number	Packing Mode	Gross weight(Kg)	Dimension(mm)
ENC-HHP7Z-300R-34	Carton Box	-	-