

5MP PTZ DOME CAMERA



ENC-HHP8Z-50R-64

FEATURES

- 5X Optical Zoom
- Smart Dual Illuminator
- ONVIF Profile (S, G, T, M)
- Smoke and Flame Detection
- Early Warning Support
- Sound Warning Support
- Built-in Mic and Speaker
- PoE+, IP67



SPECIFICATION

MODEL	Model No.	ENC-HHP8Z-50R-64
	Type	5MP PTZ DOME CAMERA
CAMERA	Image Sensor	1/2.7", CMOS Progressive 5.0 MegaPixel
	Day / Night	IR Cut Filter with Auto Switch
	Lens Type	Motorized Zoom Lens
	Focus	Auto / Semi Auto / Manual
	Iris Type	DC Auto Iris, Auto/ Manual
	Focal Length	2.7 ~ 13.5 mm
	Angle of View (H)	111.5° ~ 32.3°
	Angle of View (V)	57.5° ~ 17.9°
	Angle of View (D)	125.4° ~ 36.9°
	Aperture Range	F1.66 ~ F3.03
	Optical Zoom	5x
	Digital Zoom	16x
	Zoom Speed	<4s
	Electronic Shutter	1s ~ 1/100,000s, Auto/Manual
	Min. Illumination	Color: 0.001 lux @ F1.6, B/W: 0.0001 lux @ F1.6, 0 lux with IR
	AGC	Auto / Manual
Digital Noise Reduction	2D/3D DNR, Auto/Manual	
S/N Ratio	≥55 dB	
Defog	Smart Defog	
WDR	120 dB	
Smart IR	Up to 50 m	
Warm Light Distance	Up to 30 m	
Wavelength	850nm	

★Product specification and availability are subject to change without notice.

5MP PTZ DOME CAMERA



ENC-HHP8Z-50R-64

MODEL	Model No.	ENC-HHP8Z-50R-64
	Type	5MP PTZ DOME CAMERA
DORI	Lens	2.7 ~ 13.5 mm
	Detection	70.0 ~ 205.0 m
	Observation	28.0 ~ 82.0 m
	Recognition	14.0 ~ 41.0 m
	Identification	7.0 ~ 20.5 m
VIDEO	Max. Resolution	2592x1944
	Video Compression	Enhanced (H.265, H.264), H.265, H.264, MJPEG
	Frame Rate	Main Stream: (2592x1944, 2592x1520, 1920x1080, 1280x720) @ 25/30fps Sub Stream: (1920x1080, 1280x720, 704x576) @ 25/30fps Third Stream: (640x480, 352x288, 320x240) @ 25/30fps Fourth Stream: (640x480, 352x288, 320x240) @ 25/30fps (Optional)
	Stream Settings	i-Frame, PAL/NTSC, Frame Rate
	EIS	Supported
	Video Bit Rate	100 kbps ~ 12 Mbps
	Bitrate Type	CBR, VBR
	Image Settings	Brightness, Contrast, Saturation, Sharpness, Day/Night (Color, Mono, Auto), Flip/Mirror/Rotation, Multiple Scene & Profile
	White Balance	Auto, Day/Night, Tungsten, Fluorescent, Shadow, Manual
	HLC	Supported
	BLC	Supported
	OSD	Up to 8 regions
	OSD Type	Title, Week, Date, Time, Text with different colors and adaptable sizes
	ROI	Up to 8 regions
	Privacy Mask	Up to 40 regions (each scene up to 8)
AUDIO	Audio Compression	G.711U, G.711A, RAW_PCM
	Audio Bit Rate	64 kbps, 128 kbps
	Audio I/O	1/1
	Built-in Mic	Supported
	Built-in Speaker	Supported
SMART	Behavior Detection	Intrusion (Perimeter), Crossline (Tripwire), Double Crossline (Double Tripwire)
	Intelligent Identification	Loitering
	Statistical Analysis	Face Detection (Capture), People Counting, Human & Vehicle Classification, Wrong Way Detection, Illegal Parking, Smoke and Flame Detection
	Alarm Management	Motion Detection, Input & Output Event, Network Alarm, Disk Alarm, Day Night Switch Alarm, Abnormal Audio Alarm, Pre/Post Alarm Recording, Alarm Recording/Snapshot
	Alarm Notifications	E-mail (Notification & Snapshot), HTTP (Alarm icon), FTP (Snapshot & Recording), SD Card (Recording)
	Auto Tracking	Supported
	Early Warning	Support Voice Message Warning and Alarms
	Flash Light Warning	Built-in Red and Blue Warning Light
INTERFACE	Sound Warning	Supported (customizable voice and alarm sounds)
	Protocols	TCP/IP, UDP, IPv4, IPv6, HTTP, HTTPS, FTP, RTSP / RTP / RTCP, PPPoE, UPnP, DHCP, NTP, SMTP, DNS, DDNS, ARP, 802.1x, QoS, ICMP, SNMP, IGMP, Multicast, TLS
	Security	AES 128/256 Video Encryption, IP Filter, User Authentication (Multiple Privilege Level), 802.1X Authentication (EAP-MD5), HTTPS Authentication, RTSP Authentication, Digest Authentication, User Access Log
	Compatibility	ONVIF Profile (S, G, T, M), SDK, CGI
	Network	1 x RJ45 10M/100M self-adaptive Ethernet port
	Edge Storage	Micro SD Card Slot, up to 1TB
	ANR	Supported
	Built-in Heater	Supported
	Cable Interface	Pig Tail
	Remote Connection	≤10
	Max. User	32
Web Language	15	
Client Application	EyeGuard	

★Product specification and availability are subject to change without notice.

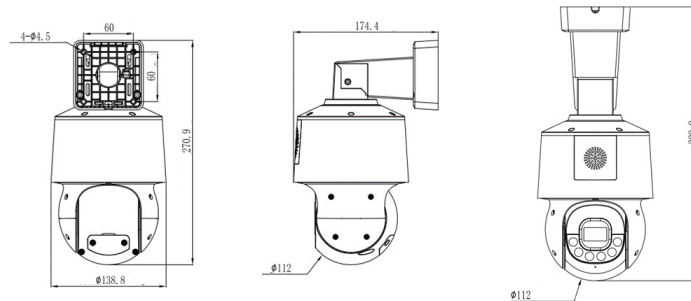
5MP PTZ DOME CAMERA



ENC-HHP8Z-50R-64

MODEL	Model No.	ENC-HHP8Z-50R-64
	Type	5MP PTZ DOME CAMERA
PAN AND TILT	Pan Range	0° ~ 355 °(Endless)
	Pan Speed	Pan Speed: 0.1° to 60° /s, Pan Preset Speed: 60°/s
	Tilt Range	-20° ~ 90°
	Tilt Speed	Tilt Manual Speed:0.1° ~ 50°/s, Tile Preset Speed: 50° /s
	Preset Accuracy	±0.2°
	Number of Presets	400
	3D Position	Supported
	Power of Recovery	Supported
	PTZ Status Display	Supported
	PTZ Mode	6 Track, 12 Scan, 12 Patrol (up to 32 Presets per Patrol)
GENERAL	Power Supply	12V DC, PoE+(IEEE 802.3at)
	Max. Power Consumption	≤ 19.5 W
	Working Temperature	-40°C ~ 70°C
	Working Humidity	≤ 95% RH
	Casing	Metal + Plastic
	Ingress Protection	IP67
	Vandal Resistant	IK10 (Housing)
	Surge Protection	TVS6000V
	Reset Button	Supported
	Dimensions	174.4x138.8x270.9 mm
	Net Weight	1.28 kg

Dimension Unit : mm



ORDERING INFORMATION

Part Number	Description	Standard Quantity
ENC-HHP8Z-50R-64	5MP IR IP H.265 High Speed Dome Camera with 5X Optical Zoom, PoE+ , SD Card Slot, WDR, Early Warning, Sound Warning, Built-in Mic and Speaker, Smart Analytics and 50m IR Support	1
ENB-BCPH65	Corner Mount Bracket for Norden Mini PTZ Camera	1
ENB-BCDU66	Pole Mount Bracket for Norden Mini PTZ Camera	1

PACKING INFORMATION

Part Number	Packing Mode	Gross weight(Kg)	Dimension(mm)
ENC-HHP8Z-50R-64	Carton Box	-	-

★Product specification and availability are subject to change without notice.