

# 5MP MOTORIZED COMPACT DOME CAMERA



## ENC-HDO8M-30R-92

### FEATURES

2.7 ~ 13.5 mm Motorized Lens

Smart IR up to 30 m

ONVIF Profile (S, G, T, M)

Built-in Mic

PoE, IP67



### SPECIFICATION

MODEL	Model No.	ENC-HDO8M-30R-92
	Type	5MP MOTORIZED COMPACT DOME CAMERA
CAMERA	Image Sensor	1/2.7" CMOS Progressive 5.0 MegaPixel
	Day/Night	IR Cut Filter with Auto Switch
	Lens Type	Motorized
	Focal Length	2.7 ~ 13.5 mm
	Focus	Auto / Manual
	Iris Type	Fixed Iris
	Lens Mount	Φ14
	Digital Zoom	16x
	Angle of View (H)	98.3° ~ 32.2°
	Angle of View (V)	54.9° ~ 18.2°
	Angle of View (D)	112.5° ~ 36.9°
	Angle Adjustment	Pan 0~340°, Tilt 0~75°, Rotate 0~360°
	Aperture	F1.6
	Electronic Shutter	1s ~ 1/100,000s, Auto/Manual
	Min. Illumination	Color: 0.001 lux @ F1.6 , B/W: 0 lux with IR
	AGC	Auto / Manual
Digital Noise Reduction	3D DNR	
S/N Ratio	≥60 dB	
Defog	Smart Defog	
WDR	120dB	
Smart IR	Up to 30 m	
IR LEDs	2	
Wavelength	850 nm	

# 5MP MOTORIZED COMPACT DOME CAMERA



## ENC-HDO8M-30R-92

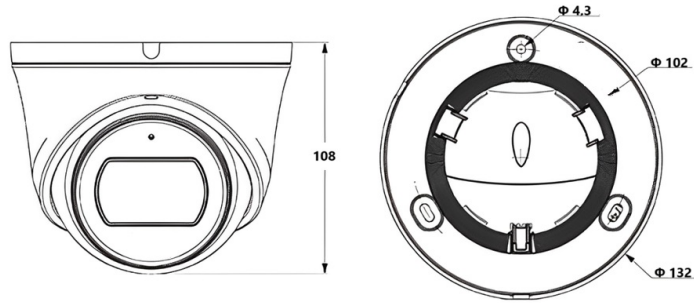
MODEL	Model No.	ENC-HDO8M-30R-92
	Type	5MP MOTORIZED COMPACT DOME CAMERA
DORI	Lens	2.7 ~ 13.5 mm
	Detection	56.0 ~ 240.0 m
	Observation	22.0 ~ 95.0 m
	Recognition	11.0 ~ 48.0 m
	Identification	5.6 ~ 24.0 m
VIDEO	Max.Resolution	2880x1620
	Video Compression	Enhanced (H.265, H.264), H.265, H.264, MJPEG
	Frame Rate	Main Stream: (2880x1620, 2688x1520, 2560x1440, 2304x1296) @ 25/30fps, (1920x1080, 1280x720) @ 50/60 fps Sub Stream: (704x480, 704x240, 640x360, 352x240) @ 30fps, (704x576, 704x288, 640x360, 352x288) @ 25fps Third Stream: (1280x720, 704x480, 704x240, 640x360, 352x240) @30fps, (1280x720, 704x576, 704x288, 640x360, 352x288) @ 25fps
	Stream Settings	I-Frame, PAL/NTSC, Frame Rate, SVC
	Video Bit Rate	32 Kbps ~ 16 Mbps
	Bitrate Type	CBR, VBR
	Image Settings	Brightness, Contrast, Saturation, Hue, Sharpness, Rotation/Mirror, Gain, Exposure, Day/Night
	White Balance	Auto, Semi Auto, Sunshine, Daylight, Warm Light, Filament, Nature Light, Lock WB, Manual
	Corridor Mode	N/A
	HLC	Supported
	BLC	Supported
	OSD	Up to 5 Regions
	OSD Type	Title, Week, Date, Time, Text with different colors and adaptable sizes (16x16, 32x32, 48x48, 64x64), Image Overlay
	ROI	Up to 8 regions
	Privacy Mask	Up to 4 regions
	Heatmap	N/A
	AUDIO	Audio Compression
Audio Bit Rate		8 kbps, 32 kbps, 48 kbps
Audio I/O		1/1
Built-in Mic		Supported with noise cancellation
SMART	Behavior Detection	Intrusion (Perimeter), Crossline (Tripwire)
	Intelligent Identification	N/A
	Statistical Analysis	Human & Vehicle Detection, Abnormal Video & Audio Detection
	Alarm Management	Motion Detection, Tampering (Masking), IP & MAC Address Conflict, Disk Alarm (Full & R/W Error), FTP Server Exception, Abnormal Voltage, Pre/Post Alarm Recording, Alarm Recording/Snapshot
	Alarm Notification	E-mail (Notification and Snapshot), HTTP (Alarm Icon), FTP (Snapshot and Recording), SD Card (Recording)
INTERFACE	Protocols	TCP/IP, UDP, IPv4, IPv6, ICMP, HTTP, HTTPS, DHCP, DNS, DDNS, RTP, RTCP, RTSP, SRTP, PPPoE, NTP, UPnP, IGMP, 802. 1x, QoS, ARP, Multicast, SNMP, SMTP, SSL, TLS 1.2
	Security	AES 128 Encryption, IP Filter, User Authentication (Multiple Privilege Level)
	Compatibility	ONVIF Profile (S, G, T, M), SDK/CGI
	Network	1 x RJ45 10M/100M Self Adaptive Ethernet Port
	Alarm I/O	1/1
	Edge Storage	Micro SD Card Slot, up to 512 GB
	ANR	Supported
	Cable Interface	Pig Tail
	Remote Connection	≤7
	Max. Users	32
GENERAL	Web Language	15
	Client Application	EyeConnect
	Power Supply	12V DC, PoE (802.3af)
	Max. Power Consumption	≤7.5 W (12V DC), ≤8.5 W (PoE)
	Working Temperature	-40 °C ~ 65 °C
	Working Humidity	≤95% RH (non-condensing)
	Ingress Protection	IP67
	Vandal Resistant	IK10 (Housing)
	Surge Protection	TVS4000V
	Reset Button	Supported
Dimensions	Φ132 x 108 mm	
Net Weight	0.68Kg	

# 5MP MOTORIZED COMPACT DOME CAMERA



**ENC-HDO8M-30R-92**

Dimension Unit : mm



## ORDERING INFORMATION

Part Number	Description	Standard Quantity
ENC-HDO8M-30R-92	5MP Starlight IR IP Dome Camera with 2.7-13.5mm Motorized Lens, PoE, WDR, SD Card Slot, Built-in Mic and 30m IR Support	1
ENB-BTDW65	Wall Mount Bracket for Norden Turret Camera (Plastic)	1
ENB-BTDW66	Wall Mount Bracket for Norden Turret Camera (Metal)	1
ENB-BTDV66	Pole Mount Bracket for Norden Turret Camera	1
ENB-BTDH66	Outer Corner Bracket for Norden Turret Camera	1
ENB-BTEJ65	Junction Box for Norden Motorized Turret Camera	1

## PACKING INFORMATION

Part Number	Packing Mode	Gross weight(Kg)	Dimension(mm)
ENC-HDO8M-30R-92	Carton Box	0.9	180x170x130