

# 2MP PTZ DOME CAMERA



## ENC-HHP5Z-250R-70

### FEATURES

38X Optical Zoom
Smart IR up to 250 m
ONVIF Profile (S, G, T, M)
Quad Stream
Audio & Alarm support
PoE++, IP67



### SPECIFICATION

MODEL	Model No.	ENC-HHP5Z-250R-70
	Type	2MP PTZ DOME CAMERA
CAMERA	Image Sensor	1/1.8", CMOS Progressive 2.0 MegaPixel
	Day / Night	IR Cut Filter with Auto Switch
	Lens Type	Motorized Zoom Lens
	Focus	Auto / Semi Auto / Manual
	Iris Type	P Iris (Optional DC Auto Iris), Auto/ Manual
	Focal Length	5.7 ~ 216.6 mm (Optional 6 ~ 228 mm)
	Angle of View (H)	64.4° ~ 1.9° (Optional 61.9° ~ 1.8°)
	Angle of View (V)	36.3° ~ 1.1° (Optional 34.9° ~ 1.0°)
	Angle of View (D)	73.9° ~ 2.1° (Optional 71.0° ~ 2.0°)
	Aperture Range	F1.5 ~ F4.8
	Optical Zoom	38x
	Digital Zoom	16x
	Zoom Speed	<2.5s
	Electronic Shutter	1s ~ 1/100,000s, Auto/Manual
	Min. Illumination	Color: 0.001 lux @ F1.5, B/W: 0.0001 lux @ F1.5, 0 lux with IR on
	AGC	Auto / Manual
	Digital Noise Reduction	2D/3D DNR, Auto/Manual
S/N Ratio	≥55 dB	
Defog	Smart Defog	
WDR	120 dB	
Smart IR	250 m	
Wavelength	850nm	

★Product specification and availability are subject to change without notice.

# 2MP PTZ DOME CAMERA



## ENC-HHP5Z-250R-70

MODEL	Model No.	ENC-HHP5Z-250R-70
	Type	2MP PTZ DOME CAMERA
DORI	Lens	5.7 ~ 216.6 mm (Optional 6 ~ 228 mm)
	Detection	64.0 ~ 2316.0 m (Optional 67.0 ~ 2445.0 m)
	Observation	25.0 ~ 934.0 m (Optional 26.0 ~ 986.0 m)
	Recognition	11.6 ~ 463.0 m (Optional 12.2 ~ 489.0 m)
	Identification	4.8 ~ 231.4 m (Optional 5.2 ~ 244.5 m)
VIDEO	Max. Resolution	1920x1080
	Video Compression	Enhanced (H.265, H.264), H.265, H.264, MJPEG
	Frame Rate	Main Stream: (1920x1080, 1280x720) @ 50/60fps Sub Stream: (704x576, 640x480, 640x360, 352x288, 320x240) @ 25/30fps Third Stream: (640x480, 352x288, 320x240) @ 25/30fps Fourth Stream: (640x480, 352x288, 320x240) @ 25/30fps (Optional)
	Stream Settings	i-Frame, PAL/NTSC, Frame Rate
	EIS	Supported
	Video Bit Rate	100 kbps ~ 16 Mbps
	Bitrate Type	CBR, VBR
	Image Settings	Brightness, Contrast, Saturation, Sharpness, Day/Night (Color, Mono, Auto), Flip/Mirror/Rotation, Multiple Scene & Profile
	White Balance	Auto, Tungsten, Fluorescent, Daylight, Shadow, Manual
	HLC	Supported
	BLC	Supported
	OSD	Up to 4 regions
	OSD Type	Title, Week, Date, Time, Text with different colors and adaptable sizes
	ROI	Up to 8 regions
	Privacy Mask	Up to 40 regions (each scene up to 8)
AUDIO	Audio Compression	G.711U, G.711A, RAW_PCM
	Audio Bit Rate	64kbps, 128kbps
	Audio I/O	1/1
SMART	Behavior Detection	Intrusion (Perimeter), Crossline (Tripwire), Double Crossline (Double Tripwire)
	Intelligent Identification	Loitering, Multi Loitering, Abandoned Object (Object Left), Missing Object (Object Lost)
	Statistical Analysis	Face Detection (Capture), People Counting, Human & Vehicle Classification, Abnormal Video & Audio Detection, Wrong Way Detection, Illegal Parking, Signal Bad, Abnormal Speed, Smoke & Fire Detection
	Alarm Management	Motion Detection, Tampering (Masking), Input & Output Event, Network Alarm, Disk Alarm, Day Night Switch Alarm, Abnormal Audio Alarm, Pre/Post Alarm Recording, Alarm Recording/Snapshot
	Alarm Notifications	E-mail (Notification & Snapshot), HTTP (Alarm icon), FTP (Snapshot & Recording), SD Card (Recording)
	Auto Tracking	Supported
INTERFACE	Protocols	TCP/IP, UDP, IPv4, IPv6, HTTP, HTTPS, FTP, RTSP, RTP, RTCP, DHCP, NTP, SMTP, DNS, DDNS, ARP, 802.1x, QoS, ICMP, SNMP, IGMP, Multicast, TLS, PPPoE, UPnP
	Security	AES 128/256 Encryption, IP Filter, User Authentication (Multiple Privilege Level), 802.1X Authentication (EAP-MD5), HTTPS Authentication, RTSP Authentication, Digest Authentication, User Access Log
	Compatibility	ONVIF (S, G, T, M), SDK, CGI
	Network	1 x RJ45 10M/100M self-adaptive Ethernet port
	Alarm Interface	7 / 2
	Serial Interface	1 x RS485
	CVBS Output	Supported
	Edge Storage	Micro SD Card Slot, up to 1 TB
	ANR	Supported
	Built-in Heater	Supported
	Built-in Fan	Supported
	Wiper	Supported
	Cable Interface	Pig Tail
	Remote Connection	≤10
	Max. User	32
Web Language	15	
Client Application	EyeGuard	

★Product specification and availability are subject to change without notice.

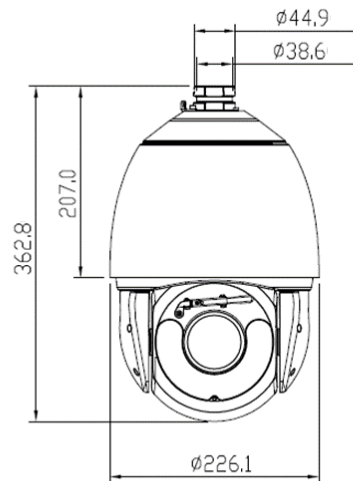
# 2MP PTZ DOME CAMERA



## ENC-HHP5Z-250R-70

MODEL		ENC-HHP5Z-250R-70
Type		2MP PTZ DOME CAMERA
PAN AND TILT	Pan Range	0°~360°(Endless)
	Pan Speed	Pan Speed: 0.1° ~ 240° /s, Pan Preset Speed: 300° /s
	Tilt Range	-10° ~ 90° (Auto-flip)
	Tilt Speed	Tilt Manual Speed: 0.1° ~ 180°/s, Tilt Preset Speed: 300°/s
	Preset Accuracy	±0.2°
	Number of Presets	400
	3D Positioning	Supported
	Power of Recovery	Supported
	PTZ Status Display	Supported
	PTZ Mode	6 Track, 12 Scan, 12 Patrol (up to 32 Presets per Patrol)
GENERAL	Power Supply	36V DC / 24V AC, PoE++(IEEE 802.3bt)
	Power Consumption	≤45 W
	Working Temperature	-40°C ~ 70°C
	Working Humidity	≤95% RH
	Casing	Metal
	Ingress Protection	IP67
	Vandal Resistant	IK10 (Housing)
	Surge Protection	TVS6000V
	Reset Button	Supported
	Dimensions	Φ226.1 x 362.8 mm
Net Weight	5.5 kg	

Dimension Unit : mm



# 2MP PTZ DOME CAMERA



## ENC-HHP5Z-250R-70

### ORDERING INFORMATION

Part Number	Description	Standard Quantity
ENC-HHP5Z-250R-70 (With 5.7 ~ 216.6 mm Lens and P Iris)	2MP 60FPS IR IP H.265 High Speed Dome with 38X Optical Zoom, PoE++ , SD Card Slot, WDR, Smart Analytics, Wiper and 250m IR Support	1
ENC-HHP5Z-250R-70 (With 6 ~ 228 mm Lens and P Iris)	2MP 60FPS IR IP H.265 High Speed Dome with 38X Optical Zoom, PoE++ , SD Card Slot, WDR, Smart Analytics, Wiper and 250m IR Support	1
ENC-HHP5Z-250R-70 (With 5.7 ~ 216.6 mm Lens and DC Iris)	2MP 60FPS IR IP H.265 High Speed Dome with 38X Optical Zoom, PoE++ , SD Card Slot, WDR, Smart Analytics, Wiper and 250m IR Support	1
ENC-HHP5Z-250R-70 (With 6 ~ 228 mm Lens and DC Iris)	2MP 60FPS IR IP H.265 High Speed Dome with 38X Optical Zoom, PoE++ , SD Card Slot, WDR, Smart Analytics, Wiper and 250m IR Support	1
ENB-BCPW67	Wall Mount Bracket for Norden PTZ Camera	1
ENB-BCPP67	Pendant Mount Bracket for Norden PTZ Camera	1
ENB-BCPH66	Corner Mount Bracket for Norden PTZ Camera	1
ENB-BCPV66	Pole Mount Bracket for Norden PTZ Camera	1
ENB-BCPJ66	Junction Box for Norden PTZ Camera	1

### PACKING INFORMATION

Part Number	Packing Mode	Gross weight(Kg)	Dimension(mm)
ENC-HHP5Z-250R-70	Carton Box	-	-