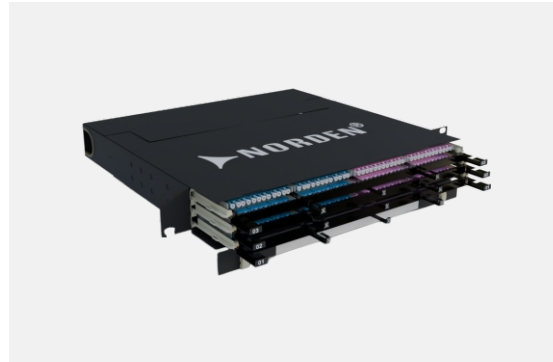


HIGH-DENSITY MODULAR FIBRE OPTIC PANEL

Norden U-HDX rack mount fibre enclosure provides an inter-connect cross-connect between Backbone horizontal cable and active equipment. These enclosures allow for easy field termination of connectors or installation of pre-terminated solutions, also, this panel is ideal for high-density applications in data centers.



FEATURES

- Ultra-high density 1U 144 cores, Max 12 Cassettes
- Equipped with 3 sliding drawers, Each Drawer can load 4 PCS of modular Cassettes
- Easy Filed Termination
- Sliding trays remove completely to facilitate field terminations
- Side and rear entries for backbone trunk cabling
- Removable rear cover/door
- Support LC, SC, MTP, Splice Cassettes

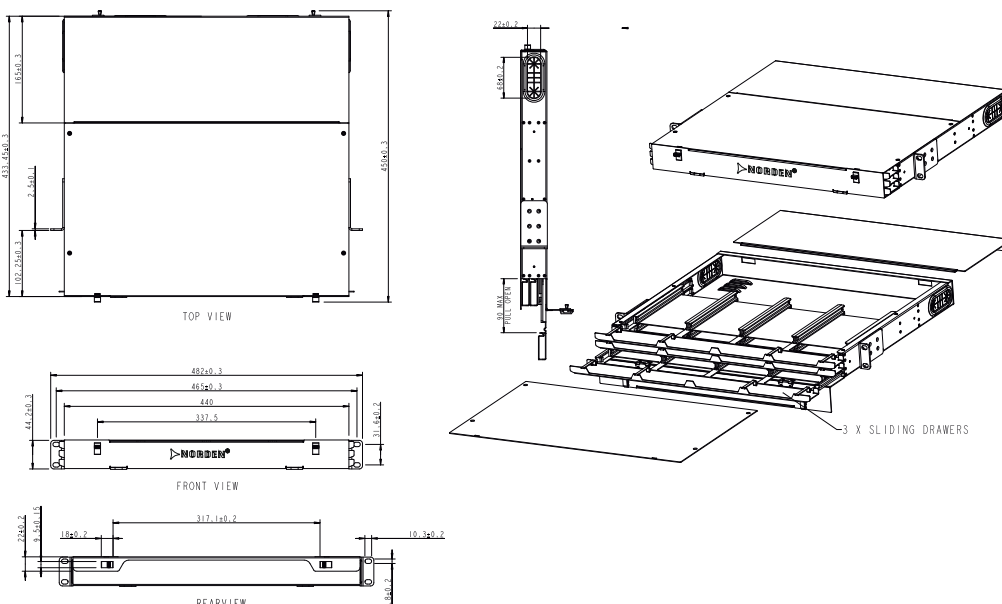
COMPLIANCE

- ANSI/TIA- 568, IEC 61754
- ANSI/TIA- 604 Series

DESIGN & MATERIALS

Mounting Type	Rack mount
Panel Colour	Black RAL9005
Panel Housing Material	SPCC, 1.2 mm Thickness
Operating temperature	-20°C ~ +70°C
Panel Net Weight	6.8 Kg
Cassette Material	ABS/PC
Cassette Colour	RAL 7035

PANEL DRAWING

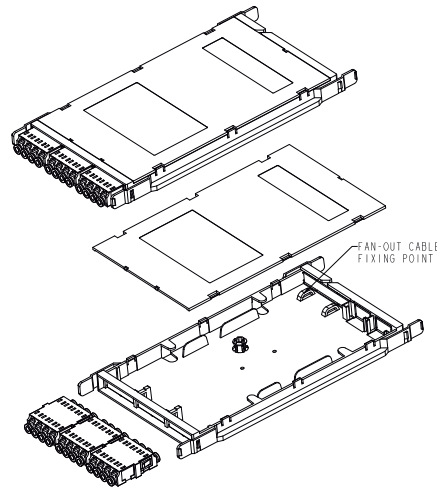


HIGH-DENSITY MODULAR FIBRE OPTIC PANEL

MODULAR CASSETTES & SPECIFICATIONS

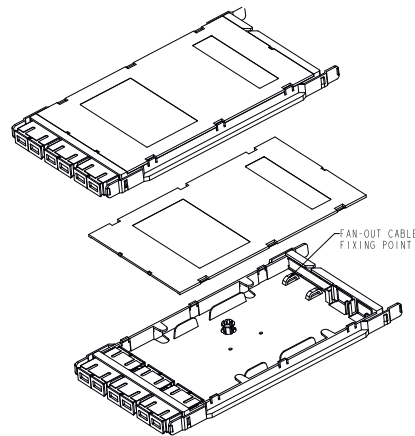
LC modular Pass-Through Cassettes:

This LC Modular cassette is used for Pass-through connectivity from backbone to backbone. This cassette is equipped with 3 Pcs of LC Quad Adaptors and max fibre capacity up to 12 Fibres.



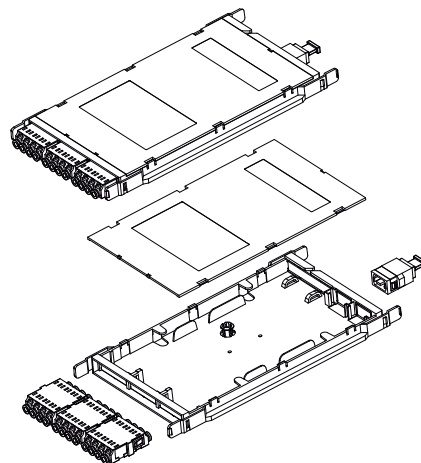
SC Modular Pass-through Cassettes:

This SC Modular cassette is used for Pass-through connectivity from backbone to backbone. This cassette is equipped with 3 Pcs of SC duplex Adaptors and max fibre capacity up to 6 Fibres



12LC – MPO/MTP Modular Cassette:

These Modular cassettes are pre-Terminated and come with 12 LC – MTP/MPO connections, and are used for 10, 40, or 100G applications.



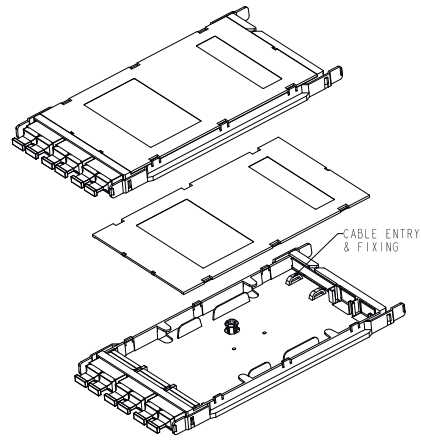
Fibre Optional	SM, OM3, OM4, OM5
Insertion Loss (LC)	≤0.3dB
Insertion Loss MTP/MPO (SM)	≤0.7dB
Insertion Loss MT/MPO (MM)	≤0.5dB
Insertion Loss Low Loss MTP/MPO	≤0.35dB

HIGH-DENSITY MODULAR FIBRE OPTIC PANEL

MODULAR CASSETTES & SPECIFICATIONS

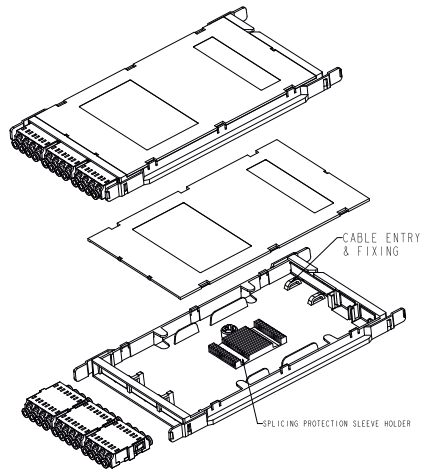
MTP/MPO Pass-Through Modular Cassette:

This MTP/MPO Modular cassette is used for Pass-through connectivity from the backbone-to-backbone or backbone-to-horizontal fibre cabling. This Cassette is equipped with 3 PCS of MTP/MPO duplex adaptors and supports max 72 (12 of MTP/MPO) Pass-Through connectivity.



12LC Modular Splice Cassette:

This cassette is equipped with 3 LC quad adaptors with, Max capacity of up to 12 core fusion spliced fibres. The modular design enables faster field splicing and simple management of pigtails within the housing.



HIGH-DENSITY MODULAR FIBRE OPTIC PANEL

ORDERING INFORMATION

Panel

Part Number	Description
NC01-551URX	High-Density Modular Fibre Optic Panel Unloaded 1U-144F
NC01-552URX	High-Density Modular Fibre Optic Panel Unloaded 2U-288F
NC01-553URX	High-Density Modular Fibre Optic Panel Unloaded 3U-432F
NC01-554URX	High-Density Modular Fibre Optic Panel Unloaded 4U-576F

Cassette Ordering Guide

Cassettes	Cassettes Types	Cassette Specification	Rear End MTP/MPO Adaptors	Cassette Front End Adaptor Types
NC01	<p>*MTP/MPO Solutions</p> <p>D: MTP ULL Q: MPO Std J : MPO ULL</p> <p>*LC/SC Pass Through & Splice Solutions</p> <p>S: SC Pass Through L: LC Pass Through C: LC Splice Cassette E: SC Splice Cassette</p> <p>*MTP/MPO Pass Through Solutions</p> <p>M: MTP Pass Through P: MPO Pass Through</p>	<p>*MTP/MPO Solutions</p> <p>(Gender type is applicable for MTP/MPO Solutions)</p> <p>M : Male F : Female</p> <p>*For LC & SC Pass Through & Splice Solutions</p> <p>T: LC &SC Pass Through Solutions Q: LC & SC Splice Solutions</p> <p>*MTP/MPO Pass Through Solutions Key Orientation</p> <p>1: MTP Key UP-Key Down 2: MTP Key UP- Key UP 3: MPO Key UP-Key Down 4: MPO Key UP-Key UP</p>	<p>* Rear End MTP/MPO Connector</p> <p>(Applicable for MTP/MPO Solution)</p> <p>MTP/MPO-SC Cassette</p> <p>S: 1 X 06 Adaptor</p> <p>MTP/MPO-LC Cassette</p> <p>A: 1 X 08 Adaptor 1: 1 X 12 Adaptor</p> <p>0: None Pass-through and Splice Solutions</p>	<p>1: LC-Quad 2: SC-Duplex 3: MTP-Duplex 4: MPO-Duplex</p>

Cassette Polarity	Fibre Type	MTP/MPO Connector Polish Types	Cassette Front End Adaptor Polish Types	Colour (X)
<p>* Polarity</p> <p>(Applicable for MTP/MPO Solutions.)</p> <p>A: Type A B: Type B C: Type C U: Universal</p> <p>0: None for Pass-through and Splice Solutions</p>	<p>OS2:SM G652.D 7A1: SM G657.A1 7A2: SM G657.A2 OM2:MM OM2 OM3: MM OM3 OM4: MM OM4 OM5: MM OM5</p> <p>0: None for MTP/MPO Adaptor Pass through Solutions</p>	<p>P: PC U: UPC A: APC</p> <p>0: None for Pass-through & Splice Solutions</p>	<p>P: PC U: UPC A: APC</p> <p>0: MTP/MPO Pass - through solutions</p> <p>* Cassette front end adaptor polish types are applicable for LC & SC cassette Pass-Through & Splice Solutions</p>	

** This Cassette Supports LC Quad , SC Duplex & MTP/MPO Duplex Adaptors **

** Only Ultra Low Loss (ULL) connector type is available for MTP Cassette **

** For Single Mode MTP connectors, only the APC polish type should be chosen. **

For Example:

* Modular MTP/MPO Loaded Cassette

NC01 — D F 1 1 B OM4 P P — X

Description : 1 X MTP12 /PC ULL, Female - 03 X LC/PC Quad , 12F, MM OM4, Polarity B, Modular Loaded Cassette

* Modular LC Splice Cassette

NC01 — C Q 0 1 0 OS2 0 A — X

Description : 3 X LC/APC Quad, 12F, SM OS2, Adaptor With Pigtails Loaded Modular Splice Cassette

HIGH-DENSITY MODULAR FIBRE OPTIC PANEL

* Modular SC Pass-Through Cassette

NC01 S T 0 2 0 OM3 0 U X

Description : 3 X SC/UPC Duplex, 06F, MM OM3, Adaptor Loaded Modular Pass-Through Cassette

* Modular MTP/MPO Pass-Through Cassette

NC01 M 1 0 3 0 0 0 0 X

Description : 3 X MTP Duplex Key Up-Key Down, Adaptor Loaded Pass-Through Cassette