

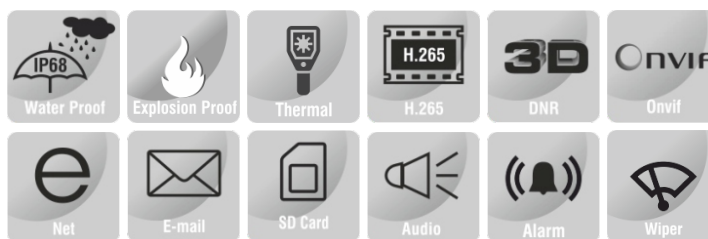
4MP EXPLOSION PROOF THERMAL PTZ CAMERA



ENC-HPT7Z-180R-23

FEATURES

- 316L Stainless Steel Construction
- 640x512/ 400x300 Thermal Resolution
- 30X Optical Zoom
- ONVIF Profile (S, G, T, M)
- Wiper Support
- ATEX/ IECEx/ CCoE (PESO) Certified
- Applicable for GAS Zone 1, Zone 2, Class IIA, IIB, IIC
- Applicable for Temperature Classes T1-T6
- Applicable for Dust Zone 21, 22
- IP66, IP68(2m/2h), IP69



SPECIFICATION

MODEL	Model No.	ENC-HPT7Z-180R-23														
	Type	4MP EXPLOSION PROOF THERMAL PTZ CAMERA														
THERMAL CAMERA	Detector Type	Uncooled VOx Focal Plane Arrays														
	Effective Pixels	640x512 and Image can be scaled up to 1280x1024 (Optional 400x300 and Image can be scaled up to 704x576)														
	Pixel Size	12um (640x512) / 17um (400x300)														
	Thermal Sensitivity (NETD)	≤40 mK														
	Spectral Range	8~14um														
	Image Setting	Brightness, Sharpness, Contrast, Mirror, 3D DNR, Mirror / Flip, FFC														
	Color Palettes	White & Black Hot, Ironbow, Rainbow etc. up to 17 modes														
THERMAL LENS	Lens	Fixed														
	Focus Control	Fixed / Motorized														
	Focal Length	8/9/15/25/35/50 mm (Fixed Focus Lens), 25/50/75/100 mm (Motorized Focus Lens)														
	F No.	1.0														
	Angle of View (640x512)	9mm	15mm	25mm	35mm	50mm	75mm	100mm								
		48.0° (H), 38.0° (V)	29.0° (H), 23.0° (V)	17.0° (H), 14.0° (V)	12.0° (H), 10.0° (V)	8.0° (H), 7.0° (V)	6.0° (H), 5.0° (V)	4.3° (H), 3.5° (V)								
	Thermal imaging **	Object	Human (1.8m x 0.5m)							Vehicle (4.0m x 1.5m)						
		Lens(mm)	9	15	25	35	50	75	100	9	15	25	35	50	75	100
		Detection(m)	375	624	1040	1456	2081	3121	4161	1150	1917	3194	4472	6389	9583	12778
		Recognition(m)	94	156	260	364	520	780	1040	258	479	799	1118	1597	2396	3194
		Identification(m)	47	78	130	182	260	390	520	144	240	399	559	799	1198	1597
	Fire Detection	Object	Fire (1.0m x 1.0m)													
		Lens(mm)	9	15	25	35	50	75	100							
		Detection(m)	375	625	1042	2549	2083	3125	4167							

★Product specification and availability are subject to change without notice.

4MP EXPLOSION PROOF THERMAL PTZ CAMERA



ENC-HPT7Z-180R-23

MODEL	Model No.	ENC-HPT7Z-180R-23														
	Type	4MP EXPLOSION PROOF THERMAL PTZ CAMERA														
THERMAL LENS	Angle of View (400x300)	8mm	15mm	25mm	35mm	50mm	75mm	100mm								
		46.0° (H), 35.3° (V)	25.5° (H), 19.2° (V)	15.4° (H), 11.6° (V)	11.0° (H), 9.0° (V)	7.7° (H), 5.8° (V)	5.1° (H), 3.8° (V)	3.8° (H), 2.3° (V)								
	Thermal imaging **	Object	Human (1.8m x 0.5m)						Vehicle (4.0m x 1.5m)							
		Lens(mm)	8	15	25	35	50	75	100	8	15	25	35	50	75	100
		Detection(m)	235	441	235	1029	1471	2206	2941	722	1353	2255	3137	4510	6765	9020
		Recognition(m)	59	110	184	257	368	551	735	180	338	564	789	1127	1691	2255
	Fire Detection	Identification(m)	29	55	92	129	184	275	367	90	169	282	395	564	846	1127
		Object	Fire (1.0m x 1.0m)													
		Lens(mm)	8	15	25	35	50	75	100							
	Detection(m)	235	441	735	1029	1471	2206	2941								
VISIBLE CAMERA	Image Sensor	1/2.8" CMOS Progressive 4.0 MegaPixel														
	Day / Night	IR Cut Filter with Auto Switch														
	Lens Type	Motorized Lens														
	Focal Length	5 ~ 150 mm (Optional 4.5 ~ 135 mm)														
	Focus	Auto / Semi Auto / Manual														
	Iris Type	DC Auto Iris														
	Angle of View (H)	55.0°~2.3° (Optional 60.7°~2.2°)														
	Angle of View (V)	41.6°~1.7° (Optional 35.7°~1.2°)														
	Angle of View (D)	68.8° ~ 2.8° (Optional 70.4°~2.5°)														
	Aperture Range	F1.6 ~ F4.3														
	Optical Zoom	30x														
	Digital Zoom	16x														
	Electronic Shutter	1s - 1/100,000s, Auto/Manual														
	Min. Illumination	Color: 0.001 lux @ F1.6, B/W: 0 lux with IR														
	AGC	Auto / Manual														
	Digital Noise Reduction	2D & 3D DNR, Auto / Manual														
	S/N Ratio	≥55 dB														
Defog	Smart Defog															
WDR	120 dB															
Smart IR	180 m (Upgradable to 200 m)															
VIDEO	Max. Resolution	2592x1520														
	Video Compression	Enhanced (H.265, H.264), H.265, H.264, MJPEG														
	Frame Rate	Main Stream: Thermal (640x512): (1280x1024, 1280x720, 640x512) @ 25fps, Thermal (400x300): (704x576) @ 25/30fps Visible: (2592x1520, 2560x1440, 2304x1296, 1920x1080, 1280x720) @ 25/30fps Sub Stream: Thermal (640x512): (704x576, 352x288) @ 25fps, Thermal (400x300): (352x288) @ 25/30fps Visible: (704x576, 640x480, 352x288) @ 25/30fps Third Stream: Visible: (640x480, 352x288, 320x240) @ 25/30fps														
	Stream Settings	i-Frame, PAL/NTSC, Frame Rate, EIS, SVC														
	Video Bit Rate	Thermal: 100 kbps ~ 8 Mbps, (Optional 100 kbps ~ 6 Mbps) Visible :100 kbps ~ 16 Mbps														
	Bitrate Type	CBR, VBR														
	Image Settings	Brightness, Contrast, Saturation, Sharpness, Day/Night (Color, Mono, Auto), Flip/Mirror/Rotation, Multiple Scene & Profile														
	White Balance	Auto, Day / Night, Tungsten, Manual														
	HLC	Supported														
	BLC	Supported														
	OSD	Supported														
	ROI	Up to 8 regions														
	Privacy Mask	Up to 8 regions														
AUDIO	Audio Compression	G.711U, G.711A, RAW_PCM														
	Audio I/O	1/1														
	Audio Bit Rate	64Kbps, 128Kbps														

★Product specification and availability are subject to change without notice.

4MP EXPLOSION PROOF THERMAL PTZ CAMERA



ENC-HPT7Z-180R-23

MODEL	Model No.	ENC-HPT7Z-180R-23
	Type	4MP EXPLOSION PROOF THERMAL PTZ CAMERA
SMART	Behavior Detection	Thermal / Visible: Intrusion (Perimeter), Crossline (Tripwire), Double crossline (Double Tripwire)
	Intelligent Identification	Thermal / Visible: Loitering, Region Entry / Exit
	Statistical Analysis	Thermal / Visible: Wrong Way Detection, People Counting, Human / Vehicle Detection Thermal: Temperature Detection, Visible: Illegal Parking
	Alarm Management	Motion Detection, Tampering (Masking), Input & Output Event, Network Alarm, Disk Alarm, Day Night Switch Alarm, Abnormal Audio Alarm, Pre/Post Alarm Recording, Alarm Recording/Snapshot
	Alarm Notifications	E-mail (Notification & Snapshot), HTTP (Alarm icon), FTP (Snapshot & Recording), SD Card (Recording)
TEMPERATURE	Detection Mode	Spot, Line, Area
	Alarm	Over/Difference Alarm
	Accuracy	±2°C / ±2%
	Response Time	≤30ms
	Measurement range	Mode 1: -20°C ~ 150°C Mode 2: 150°C ~ 900°C (±0.2°C accuracy up to 15M and ±15-20% accuracy up to 50M)
INTERFACE	Protocols	TCP/IP, UDP, IPv4, IPv6, ICMP, HTTP, HTTPS, FTP, DHCP, DNS, DDNS, RTP, RTSP, RTCP, PPPoE, NTP, UPnP, SMTP , IGMP, 802.1X, Unicast, Multicast, QoS, ARP, SNMP, Telnet, SSL/TLS1.2
	Security	TLS Video Encryption, IP Filter, User Authentication (Multiple Privilege Level), 802.1X Authentication (EAP-MD5), HTTPS Authentication, RTSP Authentication, Digest Authentication, User Access Log
	Compatibility	ONVIF (S, G, T, M) , SDK, CGI
	Network	1 x RJ45 10M/100M Self Adaptive Ethernet Port
	Alarm I/O	1/1
	Serial Interface	1xRS485
	Edge Storage	SD card slot, up to 512 GB
	ANR	Supported
	Built-in Heater	Supported(Optional)
	Wiper	Supported
	Max. User Access	32
	Client Application	EyeGuard
	PAN AND TILT	Pan Range
Pan Speed		Pan Manual Speed: 0.1°/s ~ 45°/s, Pan Preset Speed: 45°/s
Tilt Range		-90 ~ +90°
Tilt Speed		Tilt Manual Speed: 0.1°/s ~ 45°/s, Tilt Preset Speed: 45°/s
Preset Accuracy		±0.1°
Cruise Scan		Supported
Keep watch		Supported
Preset		300
Resume function		Supported
Auto Cruise		Supported
Auto Scan		Supported
GENERAL	Power Supply	AC 110 ~ 240V (Default) / AC 24V / DC 24V / PoE++ (IEEE 802.3bt-Type 4)
	Max. Power Consumption	≤70W (with thermostat)
	Working Temperature	-40°C ~ 70°C
	Working Humidity	≤95% RH (non-condensing)
	Atmospheric pressure	80 kPa ~ 110 kPa
	Window glass	Strong tempered glass
	Sun shade	Supported
	Ingress Protection	IP66, IP68(2m/2h), IP69
	Surge Protection	TVS6000V
	Reset Button	Supported
	Dimensions	567x360x494 mm
Net Weight	50 kg	

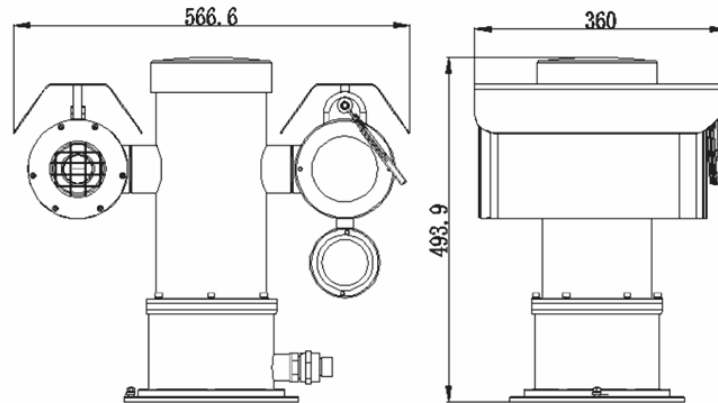
★Product specification and availability are subject to change without notice.

4MP EXPLOSION PROOF THERMAL PTZ CAMERA



ENC-HPT7Z-180R-23

Dimension Unit : mm



ORDERING INFORMATION

Part Number	Description	Standard Quantity
ENC-HPT7Z-180R-23	4MP SS316L Explosion-proof IP Thermal PTZ camera with 640*512 (400*300) Optional Thermal Resolution), (8/9/15/25/35/50/75/100) mm Fixed / Motorized Focus Lens, 30X Visible Optical Zoom, 180m IR (Upgradable to 200m), Wiper and SD card slot Support	1
ENB-BZPW68	Wall Mount Bracket for Norden Explosion Proof PTZ Camera	1
ENB-BZPH68	Corner Mount Bracket for Norden Explosion Proof PTZ Camera	1
ENB-BZPV68	Pole Mount Bracket for Norden Explosion Proof PTZ Camera	1
ENA-EXH010	1 Meter Explosion Proof Hose for Norden Explosion Proof Camera	1
ENA-EXH015	1.5 Meter Explosion Proof Hose for Norden Explosion Proof Camera	1
ENA-EXH020	2 Meter Explosion Proof Hose for Norden Explosion Proof Camera	1

PACKING INFORMATION

Part Number	Packing Mode	Gross weight(Kg)	Dimension(mm)
ENC-HPT7Z-180R-23	Carton Box	-	-

**The detection ranges may vary in different conditions. Product performance is based on testing in a controlled environment. Results may vary due to several external and environmental factors.

★Product specification and availability are subject to change without notice.