

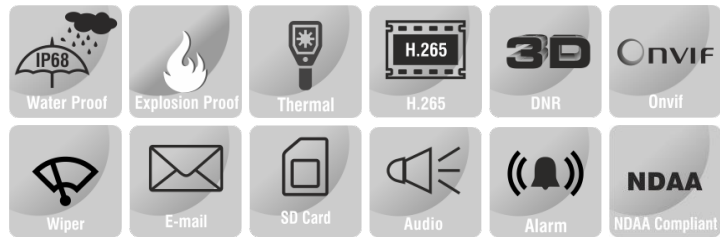
4MP EXPLOSION PROOF THERMAL PTZ CAMERA



ENC-HPT7Z-30X-23

FEATURES

316L Stainless Steel Construction
640x512 (Optional 400x300) Thermal Resolution
30X Optical Zoom
ONVIF Profile (S, G, T, M)
Wiper Support
ATEX/ IECEx/ (PESO) Certified
Applicable for GAS Zone 1, Zone 2, Class IIA, IIB, IIC
Applicable for Temperature Classes T1-T6
Applicable for Dust Zone 21, 22
IP68



SPECIFICATION

MODEL	Model No.	ENC-HPT7Z-30X-23
	Type	4MP EXPLOSION PROOF THERMAL PTZ CAMERA
THERMAL CAMERA	Detector Type	Uncooled VOx Focal Plane Arrays
	Effective Pixels	640x512 and Image can be scaled up to 1280x1024 Optional(400x300 and Image can be scaled up to 704x576)
	Pixel Size	12um (640x512) / 17um (400x300)
	Thermal Sensitivity (NETD)	≤40 mK
	Spectral Range	8~14um
	Image Setting	Brightness, Sharpness, Contrast, Mirror, 3D DNR, Mirror / Flip, FFC
	Color Palettes	White & Black Hot, Ironbow, Rainbow etc. up to 17 modes
	Iris	Auto Fixed IRIS
THERMAL LENS	Lens	Fixed
	Focus Control	Motorized Focus
	Focal Length	25/50 mm
	F No.	F 1.0
	Angle Of View	25mm: 17.0° (H), 14.0° (V), 20.0° (D) (Optional: 15.4° (H), 11.6° (V), 19.3° (D)) 50mm: 8.0° (H), 7.0° (V), 10.6° (D) (Optional: 7.7° (H), 5.8° (V), 9.6° (D))
	Detection	25 mm: Human(1.8m×0.5m) - 1042 m (Optional 735 m), Vehicle(4.0m×1.5m) - 3194 m (Optional 2255 m) 50 mm: Human(1.8m×0.5m) - 2083 m (Optional 1471 m), Vehicle(4.0m×1.5m) - 6389 m (Optional ,4510 m)
	Recognition	25 mm: Human(1.8m×0.5m) - 260 m (Optional 184 m), Vehicle(4.0m×1.5m) - 799 m (Optional 564 m) 50 mm: Human(1.8m×0.5m) - 521 m (Optional 368 m), Vehicle(4.0m×1.5m) - 1597 m (Optional 1127 m)
	Identification	25 mm: Human(1.8m×0.5m) - 130 m (Optional 92 m), Vehicle(4.0m×1.5m) - 399 m (Optional 282 m) 50 mm: Human(1.8m×0.5m) - 260 m (Optional 184 m), Vehicle(4.0m×1.5m) - 799 m (Optional 564 m)
	Fire Detection	25 mm: Fire(1.0m×1.0m)-1042 m (Optional - 735 m), Fire(0.2m×0.2m) - 208 m (Optional - 147 m) 50 mm: Fire(1.0m×1.0m)-2083 m (Optional - 1471 m), Fire(0.2m×0.2m) - 417 m (Optional - 294 m)

★Product specification and availability are subject to change without notice.

4MP EXPLOSION PROOF THERMAL PTZ CAMERA



ENC-HPT7Z-30X-23

MODEL	Model No.	ENC-HPT7Z-30X-23
	Type	4MP EXPLOSION PROOF THERMAL PTZ CAMERA
VISIBLE CAMERA	Image Sensor	1/2.8" CMOS Progressive 4.0 MegaPixel
	Day / Night	IR Cut Filter with Auto Switch
	Lens Type	Motorized Lens
	Focal Length	5 ~ 150 mm (Optional 5.3 ~ 159 mm)
	Focus	Auto / Semi Auto / Manual
	Iris Type	DC Auto Iris
	Angle of View (H)	55.6°~2.0° (Optional 56.3°~2.7°)
	Angle of View (V)	32.7°~1.2° (Optional 33.3°~1.5°)
	Angle of View (D)	64.5°~2.3° (Optional 65.4°~ 3.1°)
	Aperture Range	F1.6 ~ F4.3
	Optical Zoom	30x
	Digital Zoom	16x
	Electronic Shutter	1s - 1/100,000s, Auto/Manual
	Min. Illumination	Color: 0.001 lux @ F1.6, B/W: 0.007 lux @ F1.6
	AGC	Auto / Manual
	Digital Noise Reduction	2D & 3D DNR, Auto / Manual
	S/N Ratio	≥55 dB
	Defog	Smart Defog
	WDR	120 dB
	Lens	5 ~ 150 mm (Optional 5.3 ~ 159 mm)
Detection	102 ~ 3079.9 m (Optional 111.5 ~ 3242.0 m)	
Observation	40.5 ~ 1241.9 m (Optional 44.5 ~ 1307.4 m)	
Recongnition	19.6 ~ 593.8 m (Optional 20.8 ~ 625.0 m)	
Identification	8.4 ~ 307.9 m (Optional 10 ~ 324.1 m)	
VIDEO	Max. Resolution	2592×1520
	Video Compression	Enhanced(H.265,H.264), H.265, H.264, MJPEG
	Frame Rate	Main Stream: Thermal (640×512): (1280×1024,1280×720,640×512) @ 25fps, Thermal (400×300): (704×576 @ 25/30fps) Visible: (2592×1520,2560×1440,2304×1296,1920×1080,1280×720) @25/30fps Sub Stream: Thermal (640×512): (704×576, 352×288) @25fps, Thermal (400×300): (352×288) @ 25/30fps Visible: (704×576, 640×480, 352×288) @ 25/30fps Third Stream: Visible(640×480, 352×288, 320×240) @ 25/30fps
	Stream Settings	i-Frame, PAL/NTSC
	EIS	Supported
	Video Bit Rate	Thermal:100Kbps ~ 8 Mbps Visible: 100Kbps ~ 12 Mbps
	Bitrate Type	CBR, VBR
	Image Settings	Brightness, Contrast, Saturation, Sharpness, Day/Night (Color, Mono, Auto), Flip/Mirror/Rotation, Multiple Scene & Profile Auto, Day/Night, Manual
	White Balance	Auto / Manual, Tungsten, Fluorescent, Daylight, Shadow
	HLC	Supported
	BLC	Supported
	OSD	Up to 8 regions
	OSD Type	Title, Week, Date, Time, Text with different colors and adaptable sizes, Image overlay
	ROI	Up to 8 regions
	Privacy Mask	Up to 4 regions
AUDIO	Audio Compression	G.711U, G.711A, RAW_PCM
	Audio Bit Rate	64Kbps, 128Kbps
	Audio I/O	1/1

★Product specification and availability are subject to change without notice.

4MP EXPLOSION PROOF THERMAL PTZ CAMERA



ENC-HPT7Z-30X-23

MODEL	Model No.	ENC-HPT7Z-30X-23
	Type	4MP EXPLOSION PROOF THERMAL PTZ CAMERA
SMART	Behavior Detection	Thermal / Visible: Intrusion (Perimeter), Crossline (Tripwire), Double crossline (Double Tripwire)
	Intelligent Identification	Thermal / Visible: Loitering Thermal : Region Entry / Exit
	Statistical Analysis	Thermal / Visible: People Counting, Wrong Way Detection, Human & Vehicle Detection Thermal: Temperature Detection, Flame Detection, Visible: Illegal Parking, Fire Point Detection, Face Detection, Smoke Detection
	Alarm Management	Motion Detection, Tampering (Masking), Input & Output Event, Network Alarm, Disk Alarm, Day Night Switch Alarm, Abnormal Audio Alarm, Pre/Post Alarm Recording, Alarm Recording/Snapshot
	Alarm Notifications	E-mail (Notification & Snapshot), HTTP (Alarm icon), FTP (Snapshot & Recording), SD Card (Recording)
TEMPERATURE	Detection Mode	Spot, Line, Area (Total 20 Rules - 1 Full Screen and 19 others)
	Alarm	Over/Difference Alarm
	Accuracy	±2°C / ±2%
	Response Time	≤30ms
INTERFACE	Measurement Range	Mode1: -20°C ~ 150°C (±0.2°C accuracy up to 15M and ±15-20% accuracy up to 50M)
	Protocols	TCP/IP, UDP, IPv4, IPv6, ICMP, HTTP, HTTPS, FTP, DHCP, DNS, DDNS, RTP, RTSP, RTCP, PPPoE, NTP, UPnP, SMTP, IGMP, 802.1X, Unicast, Multicast, QoS, ARP, SNMP, SSL/TLS1.2
	Security	AES 128/256 Video Encryption, IP Filter, User Authentication (Multiple Privilege Level), 802.1X Authentication (EAP-MD5), HTTPS Authentication, RTSP Authentication, Digest Authentication, User Access Log
	Compatibility	ONVIF (S, G, T, M), SDK, CGI
	Network	1 x RJ45 10M/100M Self Adaptive Ethernet Port
	Alaram I/O	1/1 (Customizable)
	Serial Interface	1xRS485
	Edge Storage	Micro SD Card Slot, up to 512 GB
	ANR	Supported
	Built-in Heater	Supported
	Fan	Supported
	Wiper	Supported
	Max. User	32
	Web Language	15
Client Application	EyeGuard	
PAN AND TILT	Pan Range	0° ~ 360° (Endless)
	Pan Speed	Pan Manual Speed: 0.1°/s ~ 45°/s, Pan Preset Speed: 45°/s
	Tilt Range	-90 ~ +90°
	Tilt Speed	Tilt Manual Speed: 0.1°/s ~ 45°/s, Tilt Preset Speed: 45°/s
	Preset Accuracy	±0.1°
	Cruise Scan	Supported
	Keep watch	Supported
	Preset	300
	Resume function	Supported
	Auto Cruise	Supported
	Auto Scan	Supported
GENERAL	Power Supply	100 ~ 240V AC (Optional 24V AC, 24V DC)
	Max Power Consumption	≤70W (with thermostat)
	Working Temperature	-40°C ~ 70°C
	Working Humidity	≤95% RH (non-condensing)
	Atmospheric Pressure	80 kPa ~ 110 kPa
	Window Glass	Strong Tempered Glass
	Sun Shade	Supported
	Ingress Protection	IP68
	Surge Protection	TVS6000V
	Reset Button	Supported
	Dimensions	567x360x494 mm
Net Weight	47 kg	

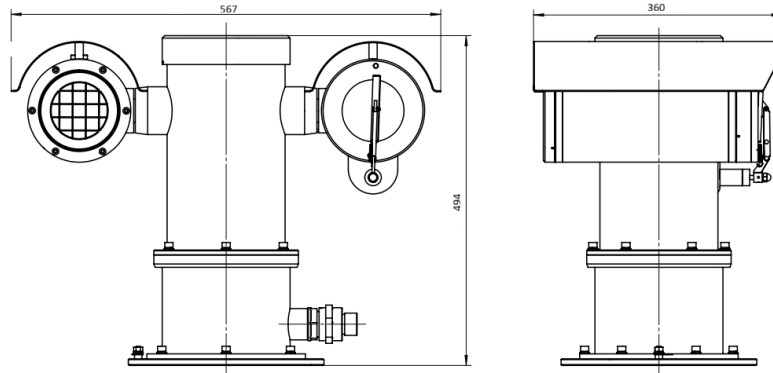
★Product specification and availability are subject to change without notice.

4MP EXPLOSION PROOF THERMAL PTZ CAMERA



ENC-HPT7Z-30X-23

Dimension Unit : mm



ORDERING INFORMATION

Part Number	Description	Standard Quantity
ENC-HPT7Z-30X-23 (With 25mm Motorized Focus Thermal Lens 640*512, 5 - 150 mm Optical Zoom Lens and 100~240 V AC)	4MP SS316L Explosion-proof IP Thermal PTZ camera with 640*512 Thermal Resolution, 25mm Motorized Focus Thermal Lens , 30X Visible Optical Zoom, Wiper and SD Card Slot Support	1
ENC-HPT7Z-30X-23 (With 25mm Motorized Focus Thermal Lens 640*512, 5.3 - 159 mm Optical Zoom Lens and 100~240 V AC)	4MP SS316L Explosion-proof IP Thermal PTZ camera with 640*512 Thermal Resolution, 25mm Motorized Focus Thermal Lens , 30X Visible Optical Zoom, Wiper and SD Card Slot Support	1
ENC-HPT7Z-30X-23 (With 25mm Motorized Focus Thermal Lens 400*300, 5 - 150mm Optical Zoom Lens and 100~240 V AC)	4MP SS316L Explosion-proof IP Thermal PTZ camera with 400*300 Thermal Resolution, 25mm Motorized Focus Thermal Lens , 30X Visible Optical Zoom, Wiper and SD Card Slot Support	1
ENC-HPT7Z-30X-23 (With 25mm Motorized Focus Thermal Lens 400*300, 5.3 - 159 mm Optical Zoom Lens and 100~240 V AC)	4MP SS316L Explosion-proof IP Thermal PTZ camera with 400*300 Thermal Resolution, 25mm Motorized Focus Thermal Lens , 30X Visible Optical Zoom, Wiper and SD Card Slot Support	1
ENC-HPT7Z-30X-23 (With 50mm Motorized Focus Thermal Lens 640*512, 5 - 150 mm Optical Zoom Lens and 100~220 V AC)	4MP SS316L Explosion-proof IP Thermal PTZ camera with 640*512 Thermal Resolution, 50mm Motorized Focus Thermal Lens , 30X Visible Optical Zoom, Wiper and SD Card Slot Support	1
ENC-HPT7Z-30X-23 (With 50mm Motorized Focus Thermal Lens 640*512, 5.3 - 159 mm Optical Zoom Lens and 100~220 V AC)	4MP SS316L Explosion-proof IP Thermal PTZ camera with 640*512 Thermal Resolution, 50mm Motorized Focus Thermal Lens , 30X Visible Optical Zoom, Wiper and SD Card Slot Support	1
ENC-HPT7Z-30X-23 (With 50mm Motorized Focus Thermal Lens 400*300, 5 - 150 mm Optical Zoom Lens and 100~220 V AC)	4MP SS316L Explosion-proof IP Thermal PTZ camera with 400*300 Thermal Resolution, 50mm Motorized Focus Thermal Lens , 30X Visible Optical Zoom, Wiper and SD Card Slot Support	1
ENC-HPT7Z-30X-23 (With 50mm Motorized Focus Thermal Lens 400*300, 5.3 - 159 mm Optical Zoom Lens and 100~220 V AC)	4MP SS316L Explosion-proof IP Thermal PTZ camera with 400*300 Thermal Resolution, 50mm Motorized Focus Thermal Lens , 30X Visible Optical Zoom, Wiper and SD Card Slot Support	1
ENC-HPT7Z-30X-23 (With 25mm Motorized Focus Thermal Lens 640*512, 5 - 150 mm Optical Zoom Lens and 24 V DC)	4MP SS316L Explosion-proof IP Thermal PTZ camera with 640*512 Thermal Resolution, 25mm Motorized Focus Thermal Lens , 30X Visible Optical Zoom, Wiper and SD Card Slot Support	1
ENC-HPT7Z-30X-23 (With 25mm Motorized Focus Thermal Lens 640*512, 5.3 - 159 mm Optical Zoom Lens and 24 V DC)	4MP SS316L Explosion-proof IP Thermal PTZ camera with 640*512 Thermal Resolution, 25mm Motorized Focus Thermal Lens , 30X Visible Optical Zoom, Wiper and SD Card Slot Support	1

★Product specification and availability are subject to change without notice.

4MP EXPLOSION PROOF THERMAL PTZ CAMERA



ENC-HPT7Z-30X-23

ENC-HPT7Z-30X-23 (With 25mm Motorized Focus Thermal Lens 400*300, 5 - 150 mm Optical Zoom Lens and 24 V DC)	4MP SS316L Explosion-proof IP Thermal PTZ camera with 400*300 Thermal Resolution, 25mm Motorized Focus Thermal Lens , 30X Visible Optical Zoom, Wiper and SD Card Slot Support	1
ENC-HPT7Z-30X-23 (With 25mm Motorized Focus Thermal Lens 400*300, 5.3 - 159 mm Optical Zoom Lens and 24 V DC)	4MP SS316L Explosion-proof IP Thermal PTZ camera with 400*300 Thermal Resolution, 25mm Motorized Focus Thermal Lens , 30X Visible Optical Zoom, Wiper and SD Card Slot Support	1
ENC-HPT7Z-30X-23 (With 50mm Motorized Focus Thermal Lens 640*512, 5 - 150 mm Optical Zoom Lens and 24 V DC)	4MP SS316L Explosion-proof IP Thermal PTZ camera with 640*512 Thermal Resolution, 50mm Motorized Focus Thermal Lens , 30X Visible Optical Zoom, Wiper and SD Card Slot Support	1
ENC-HPT7Z-30X-23 (With 50mm Motorized Focus Thermal Lens 640*512, 5.3 - 159 mm Optical Zoom Lens and 24 V DC)	4MP SS316L Explosion-proof IP Thermal PTZ camera with 640*512 Thermal Resolution, 50mm Motorized Focus Thermal Lens , 30X Visible Optical Zoom, Wiper and SD Card Slot Support	1
ENC-HPT7Z-30X-23 (With 50mm Motorized Focus Thermal Lens 400*300, 5 - 150 mm Optical Zoom Lens and 24 V DC)	4MP SS316L Explosion-proof IP Thermal PTZ camera with 400*300 Thermal Resolution, 50mm Motorized Focus Thermal Lens , 30X Visible Optical Zoom, Wiper and SD Card Slot Support	1
ENC-HPT7Z-30X-23 (With 50mm Motorized Focus Thermal Lens 400*300, 5.3 - 159 mm Optical Zoom Lens and 24 V DC)	4MP SS316L Explosion-proof IP Thermal PTZ camera with 400*300 Thermal Resolution, 50mm Motorized Focus Thermal Lens , 30X Visible Optical Zoom, Wiper and SD Card Slot Support	1
ENC-HPT7Z-30X-23 (With 25mm Motorized Focus Thermal Lens 640*512, 5 - 150 mm Optical Zoom Lens and 24 V AC)	4MP SS316L Explosion-proof IP Thermal PTZ camera with 640*512 Thermal Resolution, 25mm Motorized Focus Thermal Lens , 30X Visible Optical Zoom, Wiper and SD Card Slot Support	1
ENC-HPT7Z-30X-23 (With 25mm Motorized Focus Thermal Lens 640*512, 5.3 - 159 mm Optical Zoom Lens and 24 V AC)	4MP SS316L Explosion-proof IP Thermal PTZ camera with 640*512 Thermal Resolution, 25mm Motorized Focus Thermal Lens , 30X Visible Optical Zoom, Wiper and SD Card Slot Support	1
ENC-HPT7Z-30X-23 (With 25mm Motorized Focus Thermal Lens 400*300, 5 - 150 mm Optical Zoom Lens and 24 V AC)	4MP SS316L Explosion-proof IP Thermal PTZ camera with 400*300 Thermal Resolution, 25mm Motorized Focus Thermal Lens , 30X Visible Optical Zoom, Wiper and SD Card Slot Support	1
ENC-HPT7Z-30X-23 (With 25mm Motorized Focus Thermal Lens 400*300, 5.3 - 159 mm Optical Zoom Lens and 24 V AC)	4MP SS316L Explosion-proof IP Thermal PTZ camera with 400*300 Thermal Resolution, 25mm Motorized Focus Thermal Lens , 30X Visible Optical Zoom, Wiper and SD Card Slot Support	1
ENC-HPT7Z-30X-23 (With 50mm Motorized Focus Thermal Lens 640*512, 5 - 150 mm Optical Zoom Lens and 24 V AC)	4MP SS316L Explosion-proof IP Thermal PTZ camera with 640*512 Thermal Resolution, 25mm Motorized Focus Thermal Lens , 30X Visible Optical Zoom, Wiper and SD Card Slot Support	1
ENC-HPT7Z-30X-23 (With 50mm Motorized Focus Thermal Lens 640*512, 5.3 - 159 mm Optical Zoom Lens and 24 V AC)	4MP SS316L Explosion-proof IP Thermal PTZ camera with 640*512 Thermal Resolution, 25mm Motorized Focus Thermal Lens , 30X Visible Optical Zoom, Wiper and SD Card Slot Support	1
ENC-HPT7Z-30X-23 (With 50mm Motorized Focus Thermal Lens 400*300, 5 - 150 mm Optical Zoom Lens and 24 V AC)	4MP SS316L Explosion-proof IP Thermal PTZ camera with 400*300 Thermal Resolution, 50mm Motorized Focus Thermal Lens , 30X Visible Optical Zoom, Wiper and SD Card Slot Support	1
ENC-HPT7Z-30X-23 (With 50mm Motorized Focus Thermal Lens 400*300, 5.3 - 159 mm Optical Zoom Lens and 24 V AC)	4MP SS316L Explosion-proof IP Thermal PTZ camera with 400*300 Thermal Resolution, 50mm Motorized Focus Thermal Lens , 30X Visible Optical Zoom, Wiper and SD Card Slot Support	1
ENB-BZPW68	Wall Mount Bracket for Norden Explosion Proof PTZ Camera	1

★Product specification and availability are subject to change without notice.

4MP EXPLOSION PROOF THERMAL PTZ CAMERA



ENC-HPT7Z-30X-23

ENB-BZPH68	Corner Mount Bracket for Norden Explosion Proof PTZ Camera	1
ENB-BZPV68	Pole Mount Bracket for Norden Explosion Proof PTZ Camera	1
ENA-EXH010	1 Meter Explosion Proof Hose for Norden Explosion Proof Camera	1
ENA-EXH015	1.5 Meter Explosion Proof Hose for Norden Explosion Proof Camera	1
ENA-EXH020	2 Meter Explosion Proof Hose for Norden Explosion Proof Camera	1

PACKING INFORMATION

Part Number	Packing Mode	Gross weight(Kg)	Dimension(mm)
ENC-HPT7Z-30X-23	Carton Box	-	-