

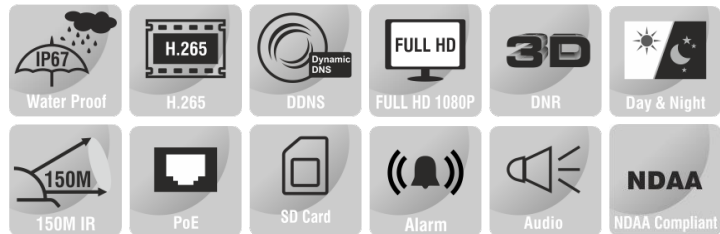
5MP PTZ DOME CAMERA



ENC-HPT8Z-150R-92

FEATURES

- Starlight Illumination
- 23X Optical Zoom
- Smart IR Up to 150 m
- ONVIF Profile (S, G, T, M)
- Triple Stream
- Audio and Alarm Support
- PoE+, IP67



SPECIFICATION

MODEL	Model No.	ENC-HPT8Z-150R-92
	Type	5MP PTZ DOME CAMERA
CAMERA	Image Sensor	1/2.8" CMOS Progressive 5.0 MegaPixel
	Day / Night	Dual IR Cut Filter with Auto Switch
	Lens Type	Motorized Zoom Lens
	Focal Length	5 ~ 115 mm
	Focus	Auto / Semi Auto / Manual
	Iris Type	P Iris, Auto
	Angle of View (H)	58.0° ~ 3.2°
	Angle of View (V)	33.9° ~ 1.9°
	Angle of View (D)	64.8° ~ 3.6°
	Aperture Range	F1.6 ~ F3.6
	Optical Zoom	23X
	Digital Zoom	16X
	Zoom Speed	<5s
	Electronic Shutter	1s ~ 1/100,000s, Auto/Manual
	Min. Illumination	Color: 0.001 lux @ F1.6, B/W: 0 lux with IR
	AGC	Auto / Manual
Digital Noise Reduction	3D DNR, Auto / Manual	
S/N Ratio	≥60 dB	
Defog	Supported	
WDR	120 dB	
Smart IR	Up to 150 m	
IR LEDs	7	
Wavelength	850 nm	

5MP PTZ DOME CAMERA



ENC-HPT8Z-150R-92

MODEL	Model No.	ENC-HPT8Z-150R-92
	Type	5MP PTZ DOME CAMERA
DORI	Lens	5 ~ 115 mm
	Detection	100.0 ~ 1980 m
	Observation	40.0 ~ 785.0 m
	Recognition	19.0 ~ 396.0 m
	Identification	8.5 ~ 198.0 m
VIDEO	Max. Resolution	2880x1620
	Video Compression	Enhanced (H.265, H.264), H.265, H.264, MJPEG
	Frame Rate	Main Stream: (2880x1620, 2688x1520, 2560x1440, 2304x1296, 1920x1080, 1280x720) @ 25/30fps Sub Stream: (704x480, 704x240, 640x360, 352x240) @30fps, (704x576, 704x288, 640x360, 352x288) @25fps Third Stream: (704x480, 704x240, 640x480, 352x240) @30fps, (704x576, 704x288, 640x480, 352x288) @25fps
	Stream Settings	i-Frame, PAL/NTSC, Frame Rate, SVC
	EIS	Supported
	Video Bit Rate	32 kbps ~ 16 Mbps
	Bitrate Type	CBR, VBR
	Image Settings	Brightness, Contrast, Saturation, Hue, Sharpness, Rotation/Mirror, Gain, Exposure, Day/Night
	White Balance	Auto, Semi Auto, Sunshine, Daylight, Warm Light, Filament, Nature Light, Lock WB, Manual
	Corridor Mode	N/A
	HLC	Supported
	BLC	Supported
	OSD	Up to 5 regions
	OSD Type	Title, Week, Date, Time, Text with different colors and adaptable sizes (16x16, 24x24, 32x32, 48x48, 64x64, 96x96), Image overlay
	ROI	Up to 7 regions
	Privacy Mask	Up to 24 regions
	Heatmap	Supported
AUDIO	Audio Compression	G.711A, G.711U, ADPCM_D, AAC_LC
	Audio Bit Rate	8 kbps, 32kbps, 48 kbps
	Audio I/O	1/1
	Audio Voltage	Audio input, level 2.0~2.4Vp-p, Input Impedance 1 Kohms; Audio output Impedance 600 ohms
	Built-in Mic	N/A
SMART	Behavior Detection	Intrusion (Perimeter), Crossline (Tripwire), Double Crossline (Double Tripwire)
	Intelligent Identification	Loitering, Running, Abandoned Object (Object Left), Missing Object (Object Lost), Parking
	Statistical Analysis	Face Detection , On Duty Detection, Human & Vehicle Classification, Abnormal Video & Audio Detection, Crowd Detection, People Counting, Helmet Detection
	Alarm Management	Motion Detection, Tampering (Masking), Input & Output Event, IP Address Conflict, Mac Address Conflict, FTP Server Exception
	Alarm Notification	E-mail (Notification and Snapshot), HTTP (Alarm Icon), FTP (Snapshot and Recording), SD Card (Recording)
INTERFACE	Auto Tracking	N/A
	Protocols	TCP/IP, UDP, IPv4, IPv6, HTTP, HTTPS, FTP, DHCP, DNS, DDNS, RTP, RTSP, RTCP, RTMP, PPPoE, NTP, UPnP,SMTP, IGMP, ICMP, ARP, SSL, TLS 1.2, QoS , 802.1x, Unicast, Multicast, SNMP, SFTP, P2P
	Security	AES 128 Video Encryption, IP Filter, User Authentication (Multiple Privilege Level), HTTPS Authentication, Digest Authentication, User Access Log
	Compatibility	ONVIF Profile (S, G, T, M), SDK/API/CGI
	Network	1 x RJ45 10M/100M Self Adaptive Ethernet Port
	Alarm Interface	1/1
	Alarm Voltage	Input (switch type) , Output (3.3V-12V, 10 ohm)
	USB	N/A
	Edge Storage	Micro SD Card Slot, Up to 512 GB
	ANR	Supported
	Heater	N/A
	Fan	Supported
	Cable Interface	Pig Tail
Remote Connection	≤7	
Web Language	15	
Client Application	EyeConnect	

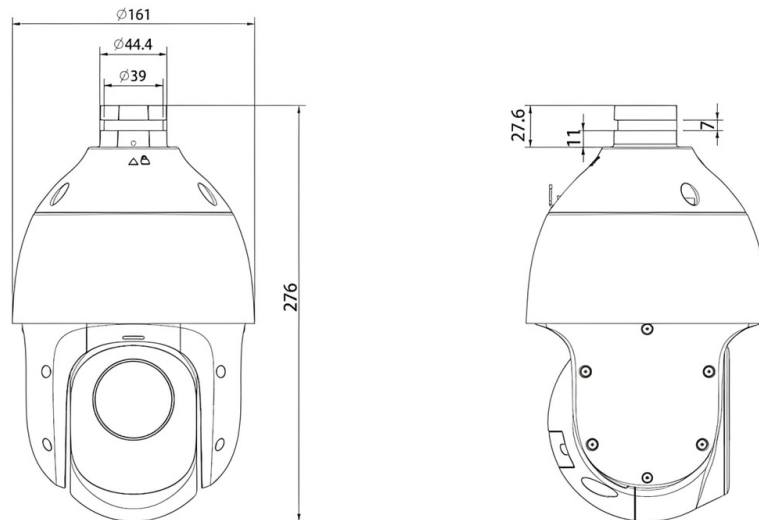
5MP PTZ DOME CAMERA



ENC-HPT8Z-150R-92

MODEL		ENC-HPT8Z-150R-92
Type		5MP PTZ DOME CAMERA
PAN AND TILT	Pan Range	0° ~ 360° (Endless)
	Pan Speed	Pan Manual Speed: 0.1°/s ~ 120°/s, Pan Preset Speed: 120°/s
	Tilt Range	-16° ~ 90° (Auto flip)
	Tilt Speed	Tilt Manual Speed: 0.1°/s ~ 120°/s, Tilt Preset Speed: 120°/s
	Preset Accuracy	±0.4°
	Number of preset	500
	3D Position	Supported
	Power off Recovery	Supported
	PTZ Mode	8 Scan, 16 Tour (32 presets per Tour)
	Pattern	8
GENERAL	Power Supply	12V DC, PoE+ (IEEE 802.3at)
	Max. Power Consumption	≤19.4 W (IR ON), ≤8.1 W (IR OFF)
	Working Temperature	-40°C ~ 70 °C
	Working Humidity	≤95% RH (non-condensing)
	Ingress Protection	IP67
	Vandal Resistant	IK10 (Housing)
	Surge Protection	TVS6000V
	Reset Button	Supported
	Accessories	Adaptor (included), Wall Mount Bracket (included)
	Dimensions	Φ161×276 mm
Net Weight	2.2 kg	

Dimension Unit : mm



5MP PTZ DOME CAMERA



ENC-HPT8Z-150R-92

ORDERING INFORMATION

Part Number	Description	Standard Quantity
ENC-HPT8Z-150R-92	5MP Starlight IR IP H.265 PTZ Dome Camera with 23X Optical Zoom, PoE+, SD Card Slot, Smart Analytics and 150m IR Support	1
ENB-BFPW66	Wall Mount Bracket for Norden 4" PTZ Camera (Included in device package)	1
ENB-BTPH66	Outer Corner Bracket for Norden PTZ Camera	1
ENB-BTPV66	Pole Mount Bracket for Norden PTZ Camera	1
ENB-BTPJ66	Junction Box for Norden PTZ Camera	1
ENB-BTPP66	Pendant Mount Bracket for Norden PTZ Camera	1

PACKING INFORMATION

Part Number	Packing Mode	Gross weight(Kg)	Dimension(mm)
ENC-HPT8Z-150R-92	Carton Box	3.9 kg	260x260x465