

8MP FIXED COMPACT DOME CAMERA



ENC-HCDAF-30R-86

FEATURES

2.8 mm Fixed Lens
Smart IR Up to 30 m
ONVIF Profile (S, G, T)
Built-in Mic
Built-in Speaker
PoE, IP67



SPECIFICATION

MODEL	Model No.	ENC-HCDAF-30R-86
	Type	8MP FIXED COMPACT DOME CAMERA
CAMERA	Image Sensor	1/2.8" CMOS Progressive 8.0 MegaPixel
	Day/Night	Dual IR Cut Filter with Auto Switch
	Lens Type	Fixed
	Focal Length	2.8 mm
	Iris Type	Fixed Iris
	Lens Mount	M12
	Digital Zoom	16x
	Angle of View (H)	105.3°
	Angle of View (V)	56.9°
	Angle of View (D)	127.9°
	Angle Adjustment	Pan 0~340°, Tilt 0~75°, Rotate 0~360°
	Aperture	F1.6
	Electronic Shutter	1s ~ 1/100,000s, Auto / Manual
	Min. Illumination	Color: 0.001 lux @ F1.6 , B/W: 0 lux with IR
	AGC	Auto / Manual
	Digital Noise Reduction	3D DNR
	S/N Ratio	≥60 dB
	Defog	Smart Defog
WDR	120dB	
Smart IR	Up to 30 m	
IR LEDs	2	
Warm Light Distance	Up to 15 m	
Warm Light LEDs	2	
Wavelength	850 nm	

★Product specification and availability are subject to change without notice.

8MP FIXED COMPACT DOME CAMERA



ENC-HCDAF-30R-86

MODEL	Model No.	ENC-HCDAF-30R-86
	Type	8MP FIXED COMPACT DOME CAMERA
DORI	Lens	2.8 mm
	Detection	77.0 m
	Observation	30.5 m
	Recognition	15.5 m
	Identification	7.5 m
VIDEO	Max.Resolution	3840x2160
	Video Compression	Enhanced (H.265, H.264), H.265, H.264
	Frame Rate	Main Stream: (3840x2160, 3072x2048) @ 20fps, (2560x1440, 2304x1296, 1920x1080, 1280x720) @25/30fps Sub Stream: (704x480, 704x240, 640x360, 352x240) @ 30fps, (704x576, 704x288, 640x360, 352x288) @ 25fps Third Stream: (704x480, 704x240, 640x480, 352x240) @ 30fps, (704x576, 704x288, 640x480, 352x288) @ 25fps
	Stream Settings	I-Frame, PAL/NTSC, Frame Rate
	Video Bit Rate	32 Kbps~16 Mbps
	Bitrate Type	CBR, VBR
	Image Settings	Brightness, Contrast, Saturation, Hue, Sharpness, Rotation/Mirror, Gain, Exposure, Day/Night
	White Balance	Auto, Semi Auto, Sunshine, Daylight, Warm Light, Filament, Nature Light, Lock WB, Manual
	Corridor Mode	Supported
	HLC	Supported
	BLC	Supported
	OSD	Up to 5 Regions
	OSD Type	Title, Week, Date, Time, Text with different colors and adaptable sizes (16x16, 32x32, 48x48, 64x64, 96x96), Image Overlay
	ROI	Up to 8 regions
	Privacy Mask	Up to 4 regions
	AUDIO	Audio Compression
Audio Bit Rate		8 kbps, 32 kbps, 48 kbps
Audio I/O		1/1
Built-in Mic		Supported with noise cancellation
Built-in Speaker		Supported
SMART	Behavior Detection	Intrusion (Perimeter), Crossline (Tripwire)
	Intelligent Identification	N/A
	Statistical Analysis	Human & Vehicle Classification, Abnormal Video & Audio Detection
	Alarm Management	Motion Detection, Tampering (Masking), IP Address Conflict, FTP Server Exception, Pre/Post Alarm Recording, Alarm Recording/Snapshot, Alarm Sound/Warm Light
	Alarm Notification	E-mail (Notification and Snapshot), HTTP (Alarm Icon), FTP (Snapshot and Recording), SD Card (Recording)
Early Warning (EW)	Supported	
INTERFACE	Protocols	TCP/IP, UDP, IPv4, IPv6, ICMP, HTTP, HTTPS, DHCP, DNS, DDNS, RTCP, RTSP, RTMP, FTP, PPPoE, NTP, UPnP, IGMP, Unicast, Multicast, SNMP, SMTP, SRTP, SFTP, ARP, SSL, QoS, 802.1X
	Security	AES 128 Video Encryption, IP Filter, User Authentication (Multiple Privilege Level)
	Compatibility	ONVIF Profile (S, G, T), SDK/CGI
	Network	1 x RJ45 10M/100M Self Adaptive Ethernet Port
	Alarm I/O	1/1
	Edge Storage	Micro SD Card Slot, Up to 512 GB
	ANR	Supported
	Cable Interface	Pig Tail
	Remote connection	≤7
	Max. Users	32
	Web Language	15
Client Application	EyeConnect	

★Product specification and availability are subject to change without notice.

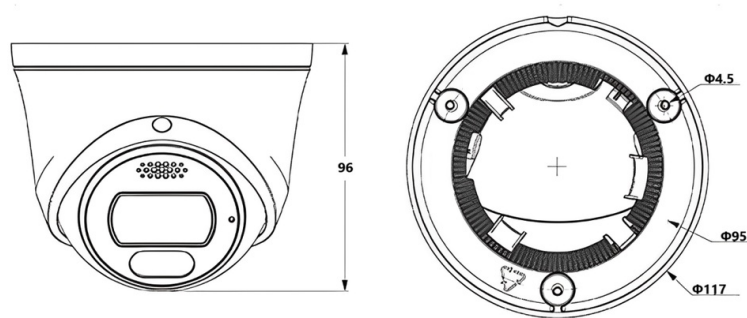
8MP FIXED COMPACT DOME CAMERA



ENC-HCDAF-30R-86

MODEL	Model No.	ENC-HCDAF-30R-86
	Type	8MP FIXED COMPACT DOME CAMERA
GENERAL	Power Supply	12V DC, PoE (802.3af)
	Max. Power Consumption	≤7 W (12V DC), ≤8.5 W (PoE)
	Working Temperature	-40 °C ~ 65 °C
	Working Humidity	≤95% RH
	Ingress Protection	IP67
	Vandal Resistant	N/A
	Surge Protection	TVS4000V
	Reset Button	Supported
	Dimensions	Φ117x96 mm
	Net Weight	0.5 kg

Dimension Unit : mm



ORDERING INFORMATION

Part Number	Description	Standard Quantity
ENC-HCDAF-30R-86	8MP Lowlight IR IP H.265 Early Warning Compact Dome Camera with 2.8mm Fixed Lens, PoE, WDR, SD Card Slot, Built-in Mic, Built-in Speaker, 30m IR and 15m Warm Light Support	1
ENB-BTEJ67	Junction Box for Norden Fixed Lens Turret Camera and Fixed Lens Mini Bullet Camera	1
ENB-BTDW65	Wall Mount Bracket for Norden Dome Camera (Plastic)	1

PACKING INFORMATION

Part Number	Packing Mode	Gross weight(Kg)	Dimension(mm)
ENC-HCDAF-30R-86	Carton Box	0.7	140x140x120 mm