

# 5MP FISHEYE DOME CAMERA



## ENC-HDO8H-30R-92

### FEATURES

1.4 mm Fixed Lens
Smart IR Up to 30 m
ONVIF Profile (S, G, T)
Triple Stream
Audio & Alarm Support
PoE



### SPECIFICATION

MODEL	Model No.	ENC-HDO8H-30R-92
	Type	5MP FISHEYE DOME CAMERA
CAMERA	Sensor	1/2.7", CMOS Progressive 5.0 MegaPixel
	Day/Night	IR Cut Filter with Auto Switch
	Focal Length	1.4 mm
	Lens Mount	M12
	Focus	Fixed
	Angle of View (H)	180°
	Angle of View (V)	180°
	Angle of View (D)	180°
	Aperture	F2.0
	Electronic Shutter	1s ~ 1/100,000s, Auto/Manual
	Minimum Illumination	Color: 0.01 lux @ F2.0; B/W:0 lux with IR
	AGC	Auto / Manual
	Digital Noise Reduction	3D DNR
	S/N Ratio	≥55 dB
	Defog	Smart Defog
	WDR	120 dB
Smart IR	Up to 30 m	
IR LEDs	3	
Wavelength	850 nm	

★Product specification and availability are subject to change without notice.

# 5MP FISHEYE DOME CAMERA



## ENC-HDO8H-30R-92

MODEL	Model No.	ENC-HDO8H-30R-92
	Type	5MP FISHEYE DOME CAMERA
DORI	Lens	1.4 mm
	Detection	24.0 m
	Observation	9.0 m
	Recognition	7.8 m
	Identification	2.5 m
VIDEO	Max. Resolution	2592x1944
	Video Compression	Enhanced (H.265, H.264), H.265, H.264, MJPEG
	Frame Rate	Main Stream: (2592x1944, 2560x1440, 1920x1080, 1280x720) @ 25/30fps Sub Stream: (704x480, 704x240, 640x360, 352x240)@ 30fps, (704x576, 640x360, 704x288, 352x288) @ 25/30fps Third Stream: (1920x1080, 1280x720) @ 25/30fps
	Display Mode	Fisheye View, Fisheye+3PTZ, Fisheye+4PTZ, Fisheye+8PTZ, Panorama, 180° Panorama, Panorama +3PTZ, Panorama +4PTZ, Panorama +8PTZ, 360° Panorama + 1PTZ, 360° Panorama + 6PTZ
	Stream Settings	i-Frame, PAL/NTSC, Frame Rate, SVC
	Video Bit Rate	32Kbps ~ 8Mbps
	Bit Rate Type	CBR, VBR
	Image Settings	Brightness, Contrast, Saturation, Hue, Sharpness, Rotation/Mirror, Gain, Exposure, Day/Night
	White Balance	Auto, Semi Auto, Sunshine, Daylight, Warm Light, Filament, Nature Light, Lock WB, Manual
	HLC	Supported
	BLC	Supported
	OSD	Up to 7 Regions
	OSD Type	Title, Week, Date, Time, Text with different colors and adaptable sizes (16x16, 32x32, 48x48, 64x64, 96x96), Image overlay
	ROI	Up to 8 Regions
	Privacy Mask	Up to 4 Regions
Heatmap	Supported	
AUDIO	Audio Compression	G.711A, G.711U, ADPCM_D
	Audio Bit Rate	8Kbps, 32 kbps, 48Kbps
	Audio I/O	1/1
	Built-in Mic	Supported
SMART	Behavior Detection	Intrusion (Perimeter), Crossline (Tripwire), Double Crossline (Double Tripwire)
	Intelligent Identification	N/A
	Statistical Analysis	N/A
	Alarm Management	Motion Detection, Tampering (Masking), Input & Output Event, IP & MAC Address Conflict, Disk Alarm (Full & R/W Error), FTP Server Exception, Abnormal Voltage, Pre/Post Alarm Recording, Alarm Recording/Snapshot
Alarm Notifications	E-mail (Notification and Snapshot), HTTP (Alarm Icon), FTP (Snapshot and Recording), SD Card (Recording)	
INTERFACE	Protocols	TCP/IP, UDP, IPv4, IPv6, ICMP, HTTP, HTTPS, FTP, DHCP, DNS, DDNS, RTP, RTSP, RTCP, RTMP, PPPoE, NTP, UPnP, SMTP, SSL, TLS 1.2, IGMP, 802.1X, QoS, Unicast, Multicast, ARP, SNMP, SFTP, SRTP, P2P
	Security	AES 128 Video Encryption, IP Filter, User Authentication (Multiple Privilege Level), 802.1X Authentication (EAP-MD5), HTTPS Authentication, Digest Authentication, User Access Log
	Compatibility	ONVIF (Profile S, G, T), SDK, CGI
	Network	1 x RJ45 10M/100M Self Adaptive Ethernet Port
	Alarm I/O	1/1
	Serial Interface	N/A
	Built-in Speaker	N/A
	Edge Storage	Micro SD Card Slot, Up to 512 GB
	ANR	Supported
	Remote Connection	≤7
Web Language	15	
Client Application	EyeConnect	

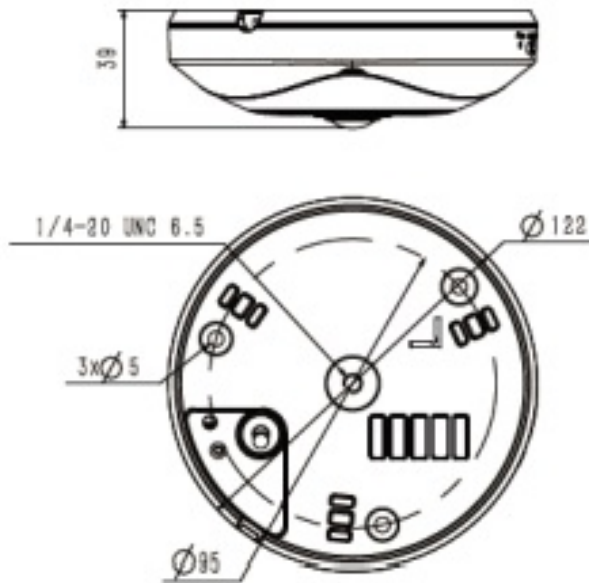
# 5MP FISHEYE DOME CAMERA



## ENC-HDO8H-30R-92

MODEL		ENC-HDO8H-30R-92
Type		5MP FISHEYE DOME CAMERA
GENERAL	Power	12V DC, PoE (802.3af)
	Max. Power consumption	≤8.5 W(12V), ≤9.5 W(PoE)
	Working Temperature	-40°C ~ 65°C
	Working Humidity	≤95% RH
	Reset Button	Supported
	Dimensions	122x39 mm
	Weight	0.26 kg

Dimension Unit : mm



### ORDERING INFORMATION

Part Number	Description	Standard Quantity
ENC-HDO8H-30R-92	5MP IR IP H.265 Hemispheric Dome camera with 1.4mm Fixed Fisheye Lens, PoE, SD card slot, Built-in Mic and 30m IR Support	1
ENB-BTEW65	Wall Mount for Norden Hemispheric Dome (Plastic)	1
ENB-BTDV66	Pole Mount Bracket for Norden Hemispheric Dome Camera	1
ENB-BTEJ66	Junction Box for Norden Hemispheric Dome Camera	1

### PACKING INFORMATION

Part Number	Packing Mode	Gross weight(Kg)	Dimension(mm)
ENC-HDO8H-30R-92	Carton Box	0.41	140x140x120