

# 5MP FISHEYE DOME CAMERA



## ENC-HDO8H-30R-92

### FEATURES

1.4 mm Fixed Lens
Smart IR up to 30 m
ONVIF Profile (S, G, T)
Triple Stream
Audio & Alarm Support
PoE



### SPECIFICATION

MODEL	Model No.	ENC-HDO8H-30R-92
CAMERA	Type	5MP FISHEYE DOME CAMERA
	Sensor	1/2.7", CMOS Progressive 5.0 MegaPixel
	Day/Night	IR Cut Filter with Auto Switch
	Focal Length	1.4 mm
	Lens Mount	M12
	Focus	Fixed
	Angle of View (H)	180°
	Angle of View (V)	180°
	Angle of View (D)	180°
	Aperture	F2.0
	Electronic Shutter	1s ~ 1/100,000s, Auto/Manual
	Minimum Illumination	Color: 0.01 lux @ F2.0; B/W:0 lux with IR
	AGC	Auto / Manual
	Digital Noise Reduction	3D DNR
	S/N Ratio	≥55 dB
	Defog	Smart Defog
	WDR	120 dB
Smart IR	Up to 30 m	
Wavelength	850 nm	

★Product specification and availability are subject to change without notice.

# 5MP FISHEYE DOME CAMERA



## ENC-HDO8H-30R-92

<b>MODEL</b>	<b>Model No.</b>	<b>ENC-HDO8H-30R-92</b>	
	Type	5MP FISHEYE DOME CAMERA	
<b>DORI</b>	Lens	1.4 mm	
	Detection	24.0 m	
	Observation	9.0 m	
	Recognition	7.8 m	
	Identification	2.5 m	
	Max. Resolution	2592x1944	
<b>VIDEO</b>	Video Compression	Enhanced (H.265, H.264), H.265, H.264, MJPEG	
	Frame Rate	Main Stream: (2592x1944, 2560x1440, 1920x1080, 1280x720) @ 25/30fps Sub Stream: (704x576, 640x360, 704x288, 352x288) @ 25/30fps Third Stream: (1920x1080, 1280x720) @ 25/30fps	
	Display Mode	Fisheye View, Fisheye+3PTZ, Fisheye+4PTZ, Fisheye+8PTZ, Panorama, 180° Panorama, Panorama +3PTZ, Panorama +4PTZ, Panorama +8PTZ, 360° Panorama + 1PTZ, 360° Panorama + 6PTZ	
	Stream Settings	i-Frame, PAL/NTSC, Frame Rate, SVC	
	Video Bit Rate	32Kbps ~ 8Mbps	
	Bit Rate Type	CBR, VBR	
	Image Settings	Brightness, Contrast, Saturation, Hue, Sharpness, Rotation/Mirror, Gain, Exposure, Day/Night	
	White Balance	Auto, Semi Auto, Sunshine, Daylight, Warm Light, Filament, Nature Light, Lock WB, Manual	
	HLC	Supported	
	BLC	Supported	
	OSD	Up to 7 Regions	
	OSD Type	Title, Week, Date, Time, Text with different colors and adaptable sizes (16x16, 32x32, 48x48, 64x64, 96x96), Image overlay	
	ROI	Up to 8 Regions	
	Privacy Mask	Up to 4 Regions	
	Heatmap	Supported	
	<b>AUDIO</b>	Audio Compression	G.711A, G.711U, ADPCM_D
		Audio Bit Rate	8Kbps, 32 kbps, 48Kbps
Audio I/O		1/1	
Audio Voltage		Input: Level 5V, Input Impedance 1500 ohms Output: Level 3V, Output Impedance 100 ohms	
Built-in Mic		Supported	
<b>SMART</b>		Behavior Detection	Intrusion (Perimeter), Crossline (Tripwire), Double Crossline (Double Tripwire)
	Intelligent Identification	N/A	
	Statistical Analysis	N/A	
	Alarm Management	Motion Detection, Mask Alarm, IP Address Conflict	
	Alarm Notifications	E-mail (Notification and Snapshot), HTTP (Alarm Icon), FTP (Snapshot and Recording), SD Card (Recording)	
<b>INTERFACE</b>	Protocols	TCP/IP, UDP, IPv4, IPv6, ICMP, HTTP, HTTPS, DHCP, DNS, DDNS, RTCP, RTSP, RTMP, PPPoE, NTP, UPnP, SMTP, IGMP, 802.1X, Unicast, Multicast, QoS, ARP, SNMP, SSH	
	Security	AES Video Encryption, IP Filter, User Authentication (Multiple Privilege Level), 802.1X Authentication (EAP-MD5), HTTPS Authentication, Digest Authentication, User Access Log	
	Compatibility	ONVIF (Profile S, G, T), SDK, CGI	
	Network	1 x RJ45 10M/100M Self Adaptive Ethernet Port	
	Alarm I/O	1/1	
	Edge Storage	Micro SD card slot, up to 512 GB	
	ANR	Supported	
	Remote Connection	≤7	
	Client Application	EyeConnect	
	Web Language	15	
<b>GENERAL</b>	Power	≤12V DC, PoE (802.3af)	
	Max. Power consumption	≤11W(12V), ≤11.6W(PoE)	
	Working Temperature	-10°C ~ +50°C	
	Working Humidity	≤95% RH	
	Reset Button	Supported	
	Dimensions	122mmx39 mm	
Weight	0.26 kg		

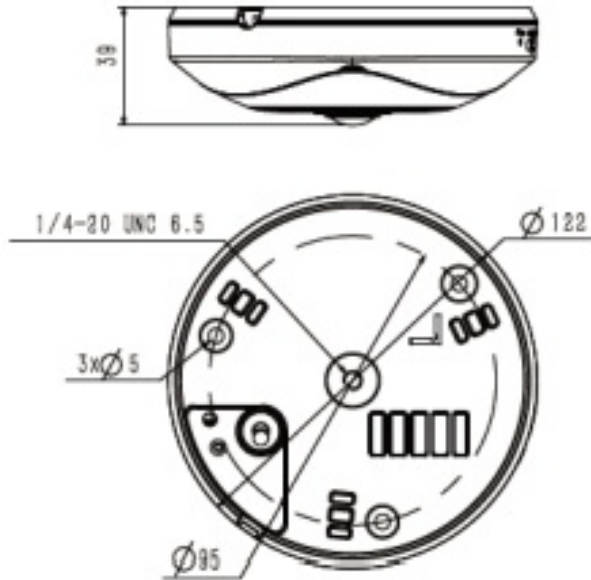
★Product specification and availability are subject to change without notice.

# 5MP FISHEYE DOME CAMERA



ENC-HDO8H-30R-92

Dimension Unit : mm



## ORDERING INFORMATION

Part Number	Description	Standard Quantity
ENC-HDO8H-30R-92	5MP IR IP H.265 Hemispheric Dome camera with 1.4mm Fixed Fisheye Lens, PoE, SD card slot, Built-in Mic and 30m IR Support	1

## PACKING INFORMATION

Part Number	Packing Mode	Gross weight(Kg)	Dimension(mm)
ENC-HDO8H-30R-92	Carton Box	0.42	138x138x110