

IP THERMAL BULLET CAMERA



ENC-HBU7F-55R-35

FEATURES

256x192 Uncooled VOx Micro Bolometer detector

Sensitivity ≤ 50 mK

3.5 / 7 / 10 mm Fixed Thermal Lens

Area / Spot / Line Temperature Measurement Rule Support

17 Color Control Support

PoE, IP67



SPECIFICATION

MODEL	Model No.	ENC-HBU7F-55R-35
	Type	IP THERMAL BULLET CAMERA
THERMAL CAMERA	Detector Type	Vanadium Oxide Uncooled VOx Focal Plane Arrays
	Effective Pixels	256x192 and Image can be scaled up to 704x576
	Pixel Size	12 μ m
	Thermal Sensitivity	≤ 50 mK
	Spectral Range	8 ~ 14 μ m
	Image Settings	Brightness, Sharpness, Contrast, Saturation, 2D/3D DNR, Mirror / Flip, FFC
	Color Palattes	White & Black Hot, Ironbow, Rainbow etc. up to 17 modes
	Iris	Fixed IRIS
THERMAL LENS	Lens Type	Fixed
	Focus	Fixed Focus
	Focal Length	3.5 / 7 / 10 mm
	Aperture	F1.0
	Angle of View	3.5 mm: 48.0°(H), 36.0°(V) 7 mm: 24.0°(H), 18.0°(V) 10 mm: 17.0°(H), 13.0°(V)
	Detection	3.5 mm: Human (1.8mx0.5m) - 146 m, Vehicle (4.0mx1.5m) - 447 m 7 mm: Human (1.8mx0.5m) - 292 m, Vehicle (4.0mx1.5m) - 894 m 10 mm: Human (1.8mx0.5m) - 417 m, Vehicle (4.0mx1.5m) - 1278 m
	Recognition	3.5 mm: Human (1.8mx0.5m) - 36 m, Vehicle (4.0mx1.5m) - 112 m 7 mm: Human (1.8mx0.5m) - 73 m, Vehicle (4.0mx1.5m) - 224 m 10 mm: Human (1.8mx0.5m) - 104 m, Vehicle (4.0mx1.5m) - 319 m
	Identification	3.5 mm: Human (1.8mx0.5m) - 18 m, Vehicle (4.0mx1.5m) - 56 m 7 mm: Human (1.8mx0.5m) - 36 m, Vehicle (4.0mx1.5m) - 112 m 10 mm: Human (1.8mx0.5m) - 52 m, Vehicle (4.0mx1.5m) - 160 m
	Fire Detection	3.5 mm: Fire (0.2mx0.2m) - 29.2 m, Fire (0.1mx0.1m) - 146 m 7 mm: Fire (0.2mx0.2m) - 58.3 m, Fire (0.1mx0.1m) - 292 m 10 mm: Fire (0.2mx0.2m) - 83.3 m, Fire (0.1mx0.1m) - 417 m

★Product specification and availability are subject to change without notice.

IP THERMAL BULLET CAMERA



ENC-HBU7F-55R-35

MODEL	Model No.	ENC-HBU7F-55R-35
	Type	IP THERMAL BULLET CAMERA
VIDEO	Video Compression	Enhanced (H.265, H.264), H.265, H.264, MJPEG
	Frame Rate	Main Stream: Thermal: 704x576 @25 fps Sub Stream: (704x576, 352x288, 256x192) @ 25 fps
	Stream Settings	i-Frame, PAL/NTSC, Frame Rate
	Bitrate Type	CBR, VBR
	Video Bit Rate	Thermal: 10kbps ~ 3Mbps Visible: 10kbps ~ 12Mbps
	OSD	Up to 8 regions
	OSD Type	Title, Week, Date, Time, Text with different colors and adaptable sizes (Small / Medium / Big)
	Privacy Mask	Up to 5 regions
AUDIO	Audio Compression	G.711A, G.711U, RAW_PCM
	Audio Bitrate	64 kbps, 128 kbps
	Audio I/O	1/1
	Built-in Speaker	Supported
SMART	Behaviour Detection	Intrusion (Perimeter), Crossline (Tripwire), Double Crossline (Double Tripwire)
	Intelligent Identification	Loitering, Region Entry / Exit Detection, Flame Point Detection, Smoker Detection
	Statistical Analysis	People Counting, Wrong Way Detection, Human and Vehicle Detection, Temperature Detection
	Alarm Management	Motion Detection, Input & Output Event, Network Alarm, Disk Alarm, Day Night Switch Alarm, Pre/Post Alarm Recording, Alarm Recording/Snapshot, White Light Flashing and Voice Message Warning
	Alarm Notification	E-mail (Notification and Snapshot), HTTP (Alarm Icon), FTP (Snapshot and Recording), SD Card (Recording)
TEMPERATURE	Detection Mode	Spot, Line, Area (Total 20 Rules - 1 Full Screen and 19 others)
	Alarm	Over / Difference Temperature Alarm
	Accuracy	±2°C / ±2%
	Response Time	≤30ms
	Measurement Range	-20°C ~ 150°C (-4°F ~ 302°F)
INTERFACE	Protocols	TCP/IP, UDP, IPv4, IPv6, HTTP, HTTPS, FTP, DHCP, DNS, DDNS, RTP/RTCP, RTSP, PPPoE, NTP, UPnP, SMTP (SSL/TLS), IGMP, 802.1x, QoS, Unicast, SNMP, ARP
	Security	AES 128/256 Video Encryption, IP Filter, User Authentication (Multiple Privilege Level), HTTPS Authentication, Digest Authentication, User Access Log
	Compatibility	ONVIF Profile (S, G, T, M), CGI/SDK
	Network	1x RJ45 10M/100M Self Adaptive Ethernet Port
	Serial Interface	1xRS485
	Edge Storage	Micro SD Card Slot, up to 512 GB
	Alarm I/O	2/2
	Remote Connection	≤10
	Max User	32
	Web Language	15
GENERAL	Client Application	EyeGuard
	Power Supply	12V DC / 24V DC, PoE (IEEE 802.3af)
	Max. Power Consumption	≤12 W
	Working Temperature	-40°C ~ 65°C
	Working Humidity	≤95% RH
	Casing	Metal
	Ingress Protection	IP67
	Vandal Resistant	IK10 (Housing)
	Surge Protection	TVS4000V
	Reset Button	Supported
	Dimensions	303x95x107 mm
Weight	1.35 Kg	

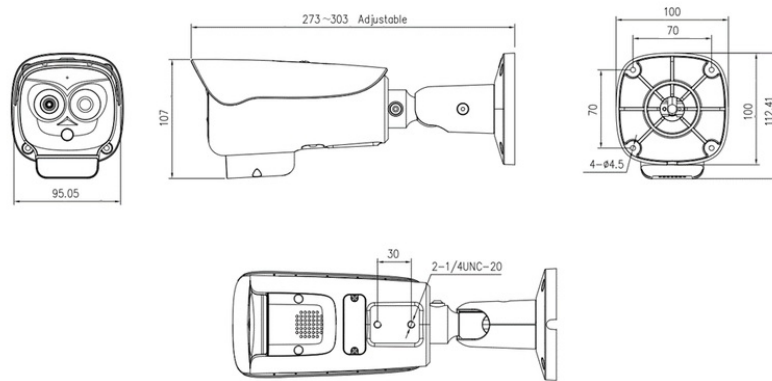
★Product specification and availability are subject to change without notice.

IP THERMAL BULLET CAMERA



ENC-HBU7F-55R-35

Dimension Unit : mm



ORDERING INFORMATION

Part Number	Description	Standard Quantity
ENC-HBU7F-55R-35 (With 3.5 mm Fixed Thermal Lens)	IP Temperature Detection Thermal Bullet Camera with 256*192 Thermal Resolution, 3.5 mm Fixed Thermal Lens, PoE and SD Card Slot Support	1
ENC-HBU7F-55R-35 (With 7 mm Fixed Thermal Lens)	IP Temperature Detection Thermal Bullet Camera with 256*192 Thermal Resolution, 7 mm Fixed Thermal Lens, PoE and SD Card Slot Support	1
ENC-HBU7F-55R-35 (With 10 mm Fixed Thermal Lens)	IP Temperature Detection Thermal Bullet Camera with 256*192 Thermal Resolution, 10 mm Fixed Thermal Lens, Lens PoE and SD Card Slot Support	1
ENB-BCUV67	Pole Mount Bracket for Norden Thermal Bullet Camera	1
ENB-BCUV65	Pole Mount Bracket for Norden Thermal Bullet Camera	1
ENB-BCUH67	Corner Mount Bracket for Norden Thermal Bullet Camera	1

PACKING INFORMATION

Part Number	Packing Mode	Gross weight(Kg)	Dimension(mm)
ENC-HBU7F-55R-35	Carton Box	-	-

★Product specification and availability are subject to change without notice.