

4MP HIGH SPEED PTZ DOME CAMERA



ENC-HHP7Z-500R-70

FEATURES

- 40X Optical Zoom
- 16X Digital Zoom
- 500 m Laser Support
- ONVIF Profile (S, G, T, M)
- Quad Stream
- Audio and Alarm Support
- PoE++, IP67



SPECIFICATION

MODEL	Model No.	ENC-HHP7Z-500R-70
	Type	4MP HIGH SPEED PTZ DOME CAMERA
CAMERA	Image Sensor	1/1.8" CMOS Progressive 4.0 MegaPixel
	Day / Night	IR Cut Filter with Auto Switch
	Lens Type	Motorized Zoom Lens
	Focal Length	6 ~ 240 mm (Optional 6.8 ~ 272 mm)
	Iris Type	P Iris (Optional DC Auto Iris), Auto/ Manual
	Angle of View (H)	70.6° ~ 2.6° (Optional 62.3° ~ 2.3°)
	Angle of View (V)	41.8° ~ 1.4° (Optional 36.9° ~ 1.3°)
	Angle of View (D)	82.0° ~ 3.0° (Optional 72.4° ~ 2.6°)
	Aperture Range	F1.5
	Optical Zoom	40X
	Digital Zoom	16X
	Zoom Speed	4s
	Electronic Shutter	1s ~ 1/100,000s, Auto / Manual
	Min. Illumination	Color: 0.001 lux @ F1.5, B/W: 0.0001 lux @ F1.5, 0 lux with IR on
	AGC	Auto / Manual
	Digital Noise Reduction	2D & 3D DNR, Auto / Manual
S/N Ratio	≥55 dB	
Defog	Supported	
WDR	120 dB	
Laser IR	Up to 500 m	
Wavelength	850 nm	

★Product specification and availability are subject to change without notice.

4MP HIGH SPEED PTZ DOME CAMERA



ENC-HHP7Z-500R-70

MODEL	Model No.	ENC-HHP7Z-500R-70
	Type	4MP HIGH SPEED PTZ DOME CAMERA
DORI	Lens	6 ~ 240 mm (Optional 6.8 ~ 272 mm)
	Detection	91.0 ~ 2316.0 m (Optional 102.0 ~ 3960.0 m)
	Observation	36.0 ~ 1409.0 m (Optional 40.3 ~ 1597.0 m)
	Recognition	17.0 ~ 699.0 m (Optional 19.6 ~ 792.0 m)
	Identification	7.7 ~ 349.3 m (Optional 9.0 ~ 396.0 m)
VIDEO	Max. Resolution	2592x1520
	Video Compression	Enhanced (H.265,H.264), H.265, H.264, MJPEG
	Frame Rate	Main Stream: (2592x1520) @25/30fps, (1920x1080, 1280x720) @ 50/60fps Sub Stream: (1920x1080, 1280x720, 704x576) @ 25/30fps Third Stream: (640x480, 352x288, 320x240) @ 25/30fps Fourth Stream: (640x480, 352x288, 320x240) @ 25/30fps (Optional)
	Stream Settings	i-Frame, PAL/NTSC, Frame Rate
	EIS	Supported
	Video Bit Rate	100 kbps ~ 12 Mbps
	Bitrate Type	CBR, VBR
	Image Settings	Brightness, Contrast, Saturation, Sharpness, Day/Night (Color, Mono, Auto), Flip/Mirror/Rotation, Multiple Scene & Profile
	White Balance	Auto, Day/Night, Tungsten, Fluorescent, Shadow, Manual
	HLC	Supported
	BLC	Supported
	OSD	Up to 8 regions
	OSD Type	Title, Week, Date, Time, Text with different colors and adaptable sizes , Image overlay
	ROI	Up to 8 regions
	Privacy Mask	Up to 40 regions (each scene up to 8)
AUDIO	Audio Compression	G.711 U, G.711A
	Audio Bit Rate	64 kbps, 128 kbps
	Audio I/O	1/1
SMART	Behavior Detection	Intrusion (Perimeter), Crossline (Tripwire), Double Crossline (Double Tripwire)
	Intelligent Identification	Loitering, Multi Loitering, Abandoned Object (Object Left), Missing Object (Object Lost), , Smoke Detection, Flame Detection
	Statistical Analysis	Face Detection , People Counting, Human & Vehicle Detection, Abnormal Video & Audio Detection, Wrong Way Detection, Illegal Parking, Tampering / Masking / Scene Change, Abnormal Speed
	Alarm Management	Motion Detection, Tampering (Masking), Input & Output Event, Network Alarm, Disk Alarm, Day Night Switch Alarm, Abnormal Audio Alarm, Pre/Post Alarm Recording, Alarm Recording/Snapshot
	Alarm Notifications	E-mail (Notification & Snapshot), HTTP (Alarm icon), FTP (Snapshot & Recording), SD Card (Recording)
	Auto Tracking	Supported
INTERFACE	Protocols	TCP/IP, UDP, IPv4, IPv6, ICMP, HTTP, HTTPS, FTP, DHCP, DNS, DDNS, RTP/RTCP, RTSP, PPPoE, NTP, UPnP, SMTP, IGMP, 802.1X, Unicast, Multicast, QoS, SNMP, ARP
	Security	AES 128/256 Video Encryption, IP Filter, User Authentication (Multiple Privilege Level), 802.1X Authentication , HTTPS Authentication, RTSP Authentication, Digest Authentication, User Access Log
	Compatibility	ONVIF Profile (S, G, T, M), SDK / CGI
	Network	1 x RJ45 10M/100M Self Adaptive Ethernet Port
	Alarm I/O	7/2
	Serial Interface	1 x RS485
	CVBS	Supported
	Edge Storage	Micro SD Card Slot, up to 1 TB
	ANR	Supported
	Built-in Heater	Supported
	Built-in Fan	Supported
	Wiper	Supported
	Cable Interface	Pig Tail
	Remote Connection	≤10
	Max. User	32
Web Language	15	
Client Application	EyeGuard	

★Product specification and availability are subject to change without notice.

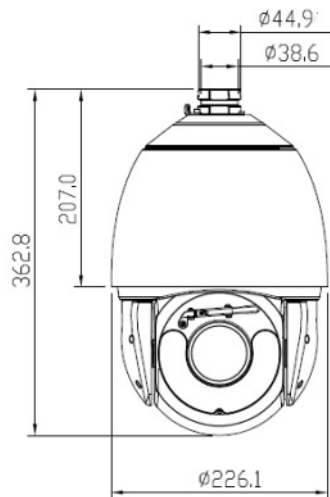
4MP HIGH SPEED PTZ DOME CAMERA



ENC-HHP7Z-500R-70

MODEL		ENC-HHP7Z-500R-70
Type		4MP HIGH SPEED PTZ DOME CAMERA
PAN AND TILT	Pan Range	0° ~ 360° (Endless)
	Pan Speed	Pan Manual Speed: 0.1°/s ~ 300°/s, Pan Preset Speed: 300°/s
	Tilt Range	-10° ~ 90° (Auto Flip)
	Tilt Speed	Tilt Manual Speed: 0.1°/s ~ 200°/s, Tilt Preset Speed: 300°/s
	Preset Accuracy	±0.2°
	Number of Preset	400
	3D Position	Supported
	Power off Memory	Supported
	PTZ Status Display	Supported
	PTZ Mode	6 Track, 12 Scan, 12 Tour (up to 32 presets per tour)
GENERAL	Power Supply	36V DC (Default) / 24V AC , PoE++ (IEEE 802.3bt)
	Max. Power Consumption	≤45W
	Working Temperature	-40 °C ~ 70 °C
	Working Humidity	≤95% RH
	Casing	Metal
	Ingress Protection	IP67
	Vandal Resistant	IK10 (Housing)
	Surge Protection	TVS6000V
	Reset Button	Supported
	Dimensions	Φ226.1 × 362.8 mm
Net Weight	5.5 kg	

Dimension Unit : mm



4MP HIGH SPEED PTZ DOME CAMERA



ENC-HHP7Z-500R-70

ORDERING INFORMATION

Part Number	Description	Standard Quantity
ENC-HHP7Z-500R-70 (With 6 ~ 240 mm Lens and P Iris)	4MP IR IP H.265 High Speed Dome Camera with 40X Optical Zoom, PoE++ ,SD Card Slot , WDR , Smart Analytics, Built in Wiper and 500m Laser IR Support	1
ENC-HHP7Z-500R-70 (With 6.8 ~ 272 mm Lens and P Iris)	4MP IR IP H.265 High Speed Dome Camera with 40X Optical Zoom, PoE++ ,SD Card Slot , WDR , Smart Analytics, Built in Wiper and 500m Laser IR Support	1
ENC-HHP7Z-500R-70 (With 6 ~ 240 mm Lens and DC Iris)	4MP IR IP H.265 High Speed Dome Camera with 40X Optical Zoom, PoE++ ,SD Card Slot , WDR , Smart Analytics, Built in Wiper and 500m Laser IR Support	1
ENC-HHP7Z-500R-70 (With 6.8 ~ 272 mm Lens and DC Iris)	4MP IR IP H.265 High Speed Dome Camera with 40X Optical Zoom, PoE++ ,SD Card Slot , WDR , Smart Analytics, Built in Wiper and 500m Laser IR Support	1
ENB-BCPW67	Wall Mount Bracket for Norden PTZ Camera	1
ENB-BCPP67	Pendant Mount Bracket for Norden PTZ Camera	1
ENB-BCPH66	Corner Mount Bracket for Norden PTZ Camera	1
ENB-BCPV66	Pole Mount Bracket for Norden PTZ Camera	1
ENB-BCPJ66	Junction Box for Norden PTZ Camera	1

PACKING INFORMATION

Part Number	Packing Mode	Gross weight(Kg)	Dimension(mm)
ENC-HHP7Z-500R-70	Carton Box	-	-