

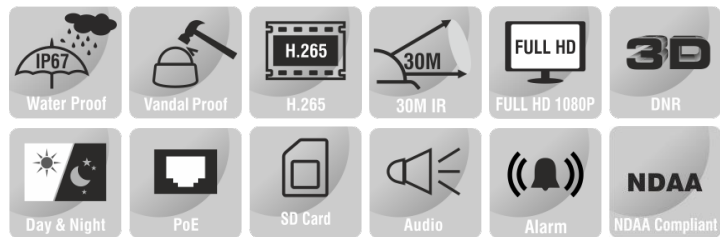
# 2MP MOTORIZED VANDAL DOME CAMERA



## ENC-HVD5M-30R-92

### FEATURES

- Starlight Illumination
- 2.7 ~ 13.5 mm Motorized Lens
- Smart IR up to 30 m
- ONVIF Profile (S, G, T)
- Triple Stream
- Audio and Alarm Support
- PoE, IK10, IP67



### SPECIFICATION

MODEL	Model No.	ENC-HVD5M-30R-92
	Type	2MP MOTORIZED VANDAL DOME CAMERA
CAMERA	Image Sensor	1/2.8" CMOS Progressive 2.0 MegaPixel
	Day/Night	IR Cut Filter with Auto Switch
	Lens Type	Motorized
	Focal Length	2.7-13.5 mm
	Focus	Auto / Manual
	Iris Type	DC Auto Iris
	Lens Mount	Φ14
	Digital Zoom	16x
	Angle of View (H)	102.9° ~ 31.4°
	Angle of View (V)	55.0° ~ 17.9°
	Angle of View (D)	116.7° ~ 36.1°
	Angle Adjustment	Pan 0~330°, Tilt 0~75°, Rotate 0~350°
	Aperture	F1.6
	Electronic Shutter	1s ~ 1/100,000s, Auto/Manual
	Min. Illumination	Color: 0.001 lux @ F1.6 (30 IRE), B/W: 0.0005 lux @ F1.6 (30 IRE), 0 lux with IR
	AGC	Auto / Manual
	Digital Noise Reduction	3D DNR
S/N Ratio	≥60 dB	
Defog	Smart Defog	
WDR	120 dB	
Smart IR	Up to 30 m	
IR LEDs	18	
Wavelength	850 nm	

★Product specification and availability are subject to change without notice.

# 2MP MOTORIZED VANDAL DOME CAMERA



## ENC-HVD5M-30R-92

<b>MODEL</b>	<b>Model No.</b>	<b>ENC-HVD5M-30R-92</b>
	Type	2MP MOTORIZED VANDAL DOME CAMERA
<b>DORI</b>	Lens	2.7 ~ 13.5 mm
	Detection	37.2 ~ 186.2 m
	Observation	14.7 ~ 73.8 m
	Recognition	7.4 ~ 37.2 m
	Identification	3.7 ~ 18.6 m
<b>VIDEO</b>	Max. Resolution	1920x1080
	Video Compression	Enhanced (H.265, H.264), H.265, H.264
	Frame Rate	Main Stream: (1920x1080, 1280x720, 704x480, 640x480) @ 30fps, (1920x1080, 1280x720, 704x576, 640x480) @ 25fps Sub Stream: (704x480, 704x240, 640x360, 352x240) @ 30fps, (704x576, 704x288, 640x360, 352x288) @ 25fps Third Stream: (704x480, 704x240, 640x360, 352x240) @ 5fps, (704x576, 704x288, 640x360, 352x288) @ 5fps
	Stream Settings	i-Frame, PAL/NTSC, Frame Rate (1~30FPS), SVC
	EIS	Supported
	Video Bit Rate	32 kbps ~ 6 Mbps
	Bitrate Type	CBR, VBR
	Image Settings	Brightness, Contrast, Saturation, Hue, Sharpness, Rotation/Mirror, Gain, Exposure, Day/Night
	White Balance	Auto, Semi Auto, Sunshine, Daylight, Warm Light, Filament, Nature Light, Lock WB, Manual
	HLC	Supported
	BLC	Supported
	OSD	Up to 1 regions
	OSD Type	Title, Week, Date, Time, Text with different colors and adaptable sizes (16x16, 32x32, 48x48)
	ROI	Up to 8 regions
	Privacy Mask	Up to 4 regions
<b>AUDIO</b>	Audio Compression	G.711A, G.711U, ADPCM_D
	Audio Bit Rate	8 kbps, 32kbps, 48 kbps
	Audio I/O	1/1
	Built-in Mic	Supported with noise cancellation
<b>SMART</b>	Behavior Detection	Intrusion (Perimeter), Crossline (Tripwire)
	Intelligent Identification	N/A
	Statistical Analysis	N/A
	Alarm Management	Motion Detection, Tampering (Masking), IP & MAC Address Conflict
<b>INTERFACE</b>	Protocols	TCP/IP, UDP, IPv4, ICMP, HTTP, HTTPS, FTP, DHCP, DNS, DDNS, RTSP, NTP, UPnP, P2P, Unicast, QoS, ARP
	Security	AES 128 Video Encryption, IP Filter, User Authentication (Multiple Privilege Level)
	Compatibility	ONVIF Profile (S, G, T), SDK/API/CGI
	Network	1 x RJ45 10M/100M Self Adaptive Ethernet Port
	Wi-Fi	N/A
	Alarm I/O	1/1
	Serial Interface	N/A
	Edge Storage	Micro SD Card Slot, Up to 512 GB
	ANR	Supported
	Built-in Speaker	N/A
	Built-in Heater	N/A
	Cable Interface	Pig Tail
	Max. Users	32
	Remote Connection	≤2
	Web Language	15
Client Application	EyeConnect	

★Product specification and availability are subject to change without notice.

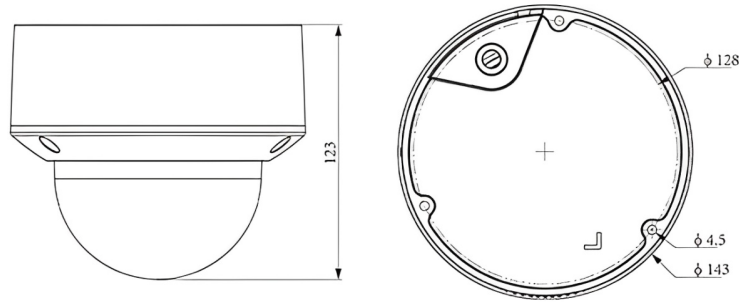
# 2MP MOTORIZED VANDAL DOME CAMERA



## ENC-HVD5M-30R-92

MODEL		ENC-HVD5M-30R-92
Type		2MP MOTORIZED VANDAL DOME CAMERA
GENERAL	Power Supply	12V DC, PoE (IEEE 802.3af)
	Max. Power Consumption	≤7 W (12V DC), ≤8 W (PoE)
	Working Temperature	-40°C ~ 65°C
	Working Humidity	≤95% RH (non-condensing)
	Ingress Protection	IP67
	Vandal Resistant	IK10
	Extra Corrosion Resistance Coating	Supported (Optional)
	Surge Protection	TVS4000V
	Reset Button	Supported
	Dimensions	Φ143x123 mm
Net Weight	0.8 Kg	

Dimension Unit : mm



### ORDERING INFORMATION

Part Number	Description	Standard Quantity
ENC-HVD5M-30R-92	2MP Starlight IR IP Vandal Proof Dome Camera with 2.7-13.5mm Motorized Lens, PoE, WDR, SD Card Slot, Built-in Mic and 30m IR Support	1
ENB-BTDW65	Wall Mount Bracket for Norden Dome Camera (Plastic)	1
ENB-BTEJ65	Junction Box for Norden Motorized Dome Camera	1

### PACKING INFORMATION

Part Number	Packing Mode	Gross weight(Kg)	Dimension(mm)
ENC-HVD5M-30R-92	Carton Box	1.1	250x180x175

★Product specification and availability are subject to change without notice.