

2MP 60FPS PTZ DOME CAMERA



ENC-HHP5Z-150R-70

FEATURES

- 30x Optical Zoom
- 16x Digital Zoom
- Smart IR Up to 150 m (Upgradable to 200 m)
- ONVIF Profile (S, G, T, M)
- Quad Streams
- Audio & Alarm Support
- PoE+, IP67



SPECIFICATION

MODEL	Model No.	ENC-HHP5Z-150R-70
	Type	2MP 60FPS PTZ DOME CAMERA
CAMERA	Image Sensor	1/2.8", CMOS Progressive 2.0 MegaPixel
	Day/Night	IR Cut Filter with Auto Switch
	Lens Type	Motorized Zoom Lens
	Focus	Auto / Semi Auto / Manual
	Iris Type	P Iris (Optional DC Auto Iris), Auto/ Manual
	Focal Length	5 ~ 150 mm (Optional 4.5 ~ 135 mm)
	Angle of View (H)	55.3°~ 2.3° (Optional 60.0°~ 2.5°)
	Angle of View (V)	31.2°~ 1.3° (Optional 33.8°~ 1.4°)
	Angle of View (D)	63.5°~ 2.7° (Optional 69.0°~ 2.9°)
	Aperture Range	F1.6 ~ F4.4
	Optical Zoom	30x
	Digital Zoom	16x
	Zoom Speed	<4s
	Electronic Shutter	1s ~ 1/100,000s, Auto/Manual
	Min. Illumination	Color: 0.001 lux @ F1.6, B/W: 0.001 lux @ F1.6, 0 lux with IR on
	AGC	Auto / Manual
Digital Noise Reduction	2D & 3D DNR, Auto/Manual	
S/N Ratio	≥55 dB	
Defog	Smart Defog	
WDR	120 dB	
Smart IR	Up to 150 m (Upgradable to 200 m)	
Wavelength	850 nm	

★Product specification and availability are subject to change without notice.

**Customizable based on project

2MP 60FPS PTZ DOME CAMERA



ENC-HHP5Z-150R-70

MODEL	Model No.	ENC-HHP5Z-150R-70
	Type	2MP 60FPS PTZ DOME CAMERA
DORI	Lens	5 ~ 150 mm (Optional 4.5 ~ 135 mm)
	Detection	101.0 ~ 3060.0 m (Optional 69.8 ~ 1350 m)
	Observation	39.7 ~ 1203.0 m (Optional 27.9 ~ 2094.8 m)
	Recognition	19.1 ~ 615.0 m (Optional 14.0 ~ 837.9 m)
	Identification	10.1 ~ 306.0 m (Optional 7.0 ~ 419.0 m)
VIDEO	Max. Resolution	1920x1080
	Video Compression	Enhanced (H.265, H.264), H.265, H.264, MJPEG
	Frame Rate	Main Stream: (1920x1080, 1280x720) @ 50/60fps Sub Stream: (1920x1080, 1280x720, 704x576) @ 25/30fps Third Stream: (640x480, 352x288, 320x240) @ 25/30fps Fourth Stream: (640x480, 352x288, 320x240) @ 25/30fps (Optional)
	Stream Settings	i-Frame, PAL/NTSC, Frame Rate
	EIS	Supported
	Video Bit Rate	100 kbps ~ 12 Mbps
	Bitrate Type	CBR, VBR
	Image Settings	Brightness, Contrast, Saturation, Sharpness, Day/Night (Color, Mono, Auto), Flip/Mirror/Rotation, Multiple Scene & Profile
	White Balance	Auto, Day/Night, Tungsten, Fluorescent, Shadow, Manual
	HLC	Supported
	BLC	Supported
	OSD	Up to 8 Regions
	OSD Type	Title, Week, Date, Time, Text with different colors and adaptable sizes, Image overlay
	ROI	Up to 8 regions
	Privacy Masking	Up to 40 regions (each scene up to 8)
AUDIO	Audio Compression	G.711U, G.711A, RAW_PCM
	Audio Bit Rate	64 kbps, 128 kbps
	Audio I/O	1/1
SMART	Behavior Detection	Intrusion (Perimeter), Crossline (Tripwire), Double Crossline (Double Tripwire)
	Intelligent Identification	Loitering, Multi Loitering, Abandoned Object (Object Left), Missing Object (Object Lost), Smoke Detection, Flame Detection
	Statistical Analysis	Face Detection , People Counting, Human & Vehicle Detection, Abnormal Video & Audio Detection, Wrong Way Detection, Illegal Parking, Tampering / Masking / Scene Change, Abnormal Speed
	Alarm Management	Motion Detection, Tampering (Masking), Input & Output Event, Network Alarm, Disk Alarm, Day Night Switch Alarm, Abnormal Audio Alarm, Pre/Post Alarm Recording, Alarm Recording/Snapshot
	Alarm Notifications	E-mail (Notification & Snapshot), HTTP (Alarm icon), FTP (Snapshot & Recording), SD Card (Recording)
Auto Tracking	Supported	
INTERFACE	Protocols	TCP/IP, UDP, IPv4, IPv6, ICMP, HTTP, HTTPS, FTP, DHCP, DNS, DDNS, RTP, RTSP, RTCP, PPPoE, NTP, UPnP, SMTP, IGMP, 802.1X, Unicast, Multicast, QoS, ARP, SFTP, SNMP, SSL, TLS1.2, SRTP**
	Security	AES 128/256 Encryption, IP Filter, User Authentication (Multiple Privilege Level), 802.1X Authentication (EAP-MD5 & EAP-TLS), HTTPS Authentication, RTSP Authentication, Digest Authentication, User Access Log , AES 128/256 SD Card Encryption**
	Compatibility	ONVIF Profile (S, G, T, M) , SDK, CGI
	Network	1 RJ45 10M/100M self adaptive Ethernet port
	Alarm I/O	2/2
	Edge Storage	Micro SD Card Slot, Up to 1 TB
	ANR	Supported
	Built-in Heater	Supported
	Cable Interface	Pig Tail
	Remote Connection	≤10
Max. User	32	
Web Language	15	
Client Application	EyeGuard	

★Product specification and availability are subject to change without notice.

**Customizable based on project

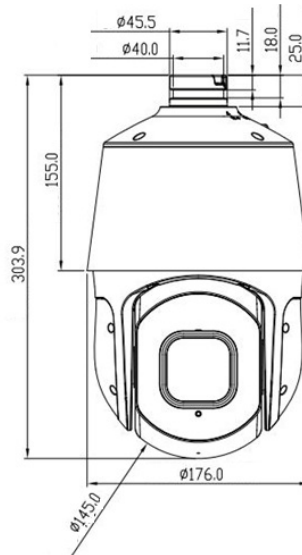
2MP 60FPS PTZ DOME CAMERA



ENC-HHP5Z-150R-70

MODEL		ENC-HHP5Z-150R-70
Type		2MP 60FPS PTZ DOME CAMERA
PAN AND TILT	Pan Range	0° ~ 360° (Endless)
	Pan Speed	Pan Manual Speed: 0.1° ~ 240°/s, Pan Preset Speed: 300°/s
	Tilt Range	-10° ~ +90° (Auto Flip)
	Tilt Speed	Tilt Manual Speed: 0.1° ~ 180°/s, Tilt Preset Speed: 300°/s
	Preset Accuracy	±0.2°
	Number of Presets	400
	3D Position	Supported
	Power off Recovery	Supported
	PTZ Status Display	Supported
	PTZ Mode	6 Track, 12 Tour, 12 Scan (up to 32 Presets per Tour)
Speed Setup	Auto/Manual (0-8)	
GENERAL	Power Supply	36V DC (Default) / 24V AC, PoE+ (IEEE 802.3at)
	Max. Power Consumption	≤24 W
	Working Temperature	-40°C ~ 70°C
	Working Humidity	≤95%RH
	Casing	Metal
	Ingress Protection	IP67
	Vandal Resistant	IK10(Housing)
	Surge Protection	TVS6000V
	Reset Button	Supported
	Dimensions	Φ176.0 × 303.9 mm
Net Weight	4 kg	

Dimension Unit : mm



★Product specification and availability are subject to change without notice.

**Customizable based on project

2MP 60FPS PTZ DOME CAMERA



ENC-HHP5Z-150R-70

ORDERING INFORMATION

Part Number	Description	Standard Quantity
ENC-HHP5Z-150R-70 (With 5 ~ 150 mm Lens, 150m Smart IR and P Iris)	2MP 60FPS IR IP H.265 High Speed Dome camera with 30X Optical Zoom, PoE+, SD Card Slot, WDR, Smart Analytics and 150m IR Support	1
ENC-HHP5Z-150R-70 (With 4.5 ~ 135 mm Lens, 150m Smart IR and P Iris)	2MP 60FPS IR IP H.265 High Speed Dome camera with 30X Optical Zoom, PoE+, SD Card Slot, WDR, Smart Analytics and 150m IR Support	1
ENC-HHP5Z-150R-70 (With 5 ~ 150 mm Lens, 150m Smart IR and DC Iris)	2MP 60FPS IR IP H.265 High Speed Dome camera with 30X Optical Zoom, PoE+, SD Card Slot, WDR, Smart Analytics and 150m IR Support	1
ENC-HHP5Z-150R-70 (With 4.5 ~ 135 mm Lens, 150m Smart IR and DC Iris)	2MP 60FPS IR IP H.265 High Speed Dome camera with 30X Optical Zoom, PoE+, SD Card Slot, WDR, Smart Analytics and 150m IR Support	1
ENC-HHP5Z-150R-70 (With 5 ~ 150 mm Lens, 200m Smart IR and P Iris)	2MP 60FPS IR IP H.265 High Speed Dome camera with 30X Optical Zoom, PoE+, SD Card Slot, WDR, Smart Analytics and 200m IR Support	1
ENC-HHP5Z-150R-70 (With 4.5 ~ 135 mm Lens, 200m Smart IR and P Iris)	2MP 60FPS IR IP H.265 High Speed Dome camera with 30X Optical Zoom, PoE+, SD Card Slot, WDR, Smart Analytics and 200m IR Support	1
ENC-HHP5Z-150R-70 (With 5 ~ 150 mm Lens, 200m Smart IR and DC Iris)	2MP 60FPS IR IP H.265 High Speed Dome camera with 30X Optical Zoom, PoE+, SD Card Slot, WDR, Smart Analytics and 200m IR Support	1
ENC-HHP5Z-150R-70 (With 4.5 ~ 135 mm Lens, 200m Smart IR and DC Iris)	2MP 60FPS IR IP H.265 High Speed Dome camera with 30X Optical Zoom, PoE+, SD Card Slot, WDR, Smart Analytics and 200m IR Support	1
ENB-BCPW67	Wall Mount Bracket for Norden PTZ Camera	1
ENB-BCPP67	Pendant Mount Bracket for PTZ Camera	1
ENB-BCPH66	Corner Mount Bracket for Norden PTZ Camera	1
ENB-BCPV66	Pole Mount Bracket for Norden PTZ Camera	1

PACKING INFORMATION

Part Number	Packing Mode	Gross weight(Kg)	Dimension(mm)
ENC-HHP5Z-150R-70	Carton Box	-	-

★Product specification and availability are subject to change without notice.

**Customizable based on project